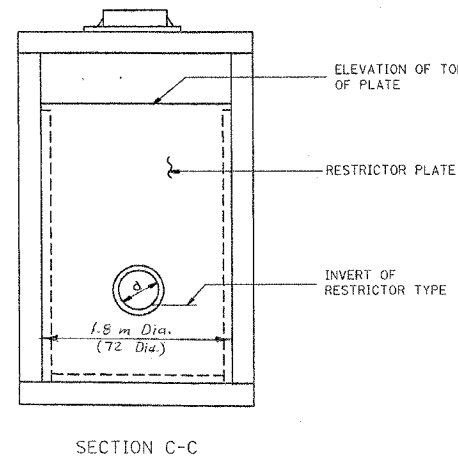
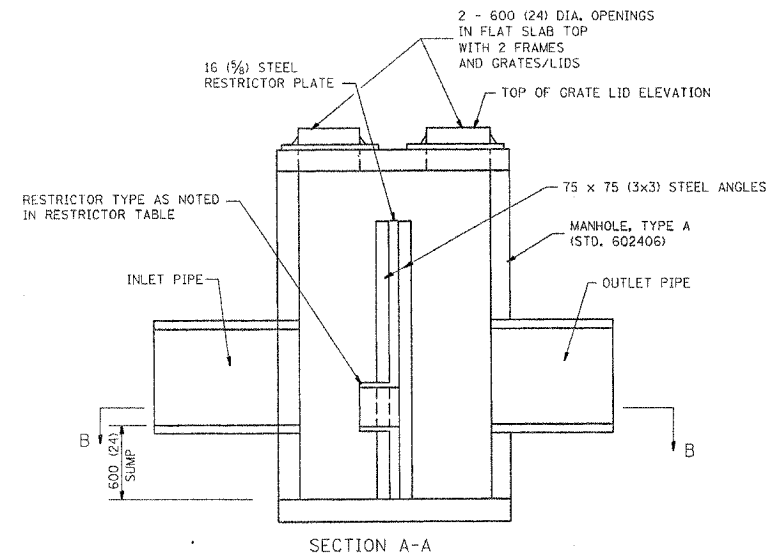
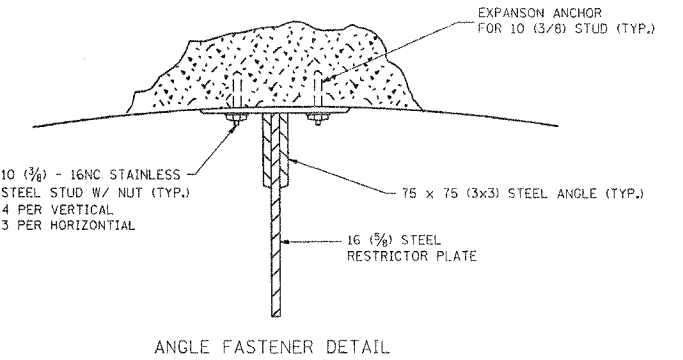
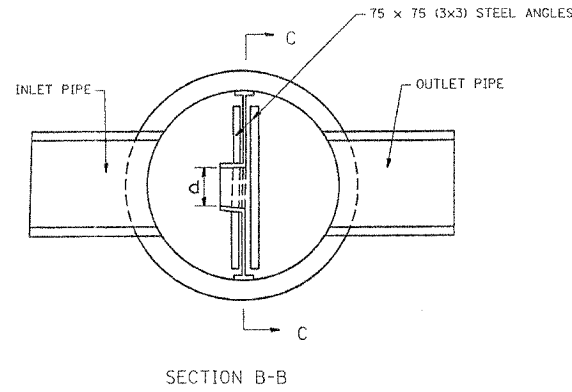
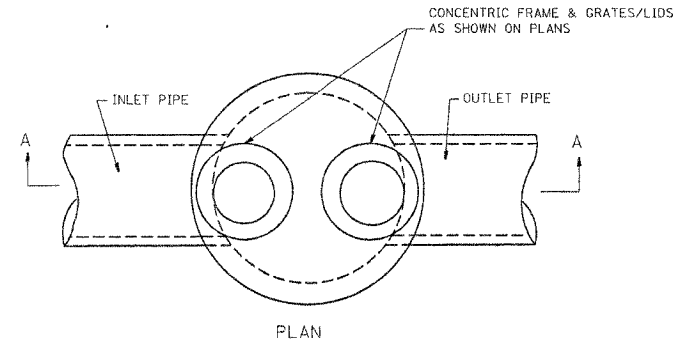
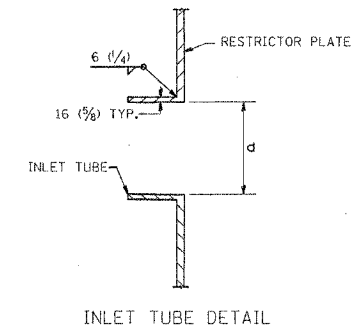


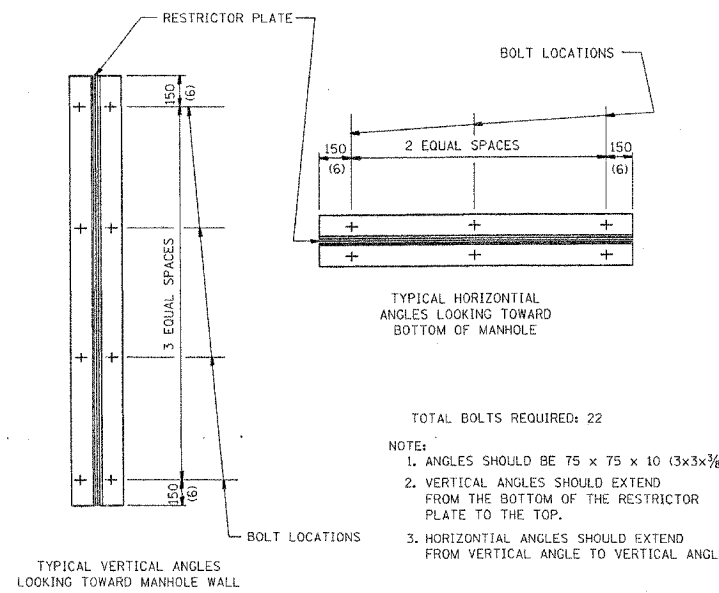
P. A. SHEET	SECTION	COUNTY	TOTAL SHEETS	SHEET NO.
			800	634
STA.		TO STA.		
FED. ROAD DIST. NO.		S.D. NO.		FED. AID PROJECT



- NOTES:
1. ALL STEEL ANGLES AND PLATES TO BE GALVANIZED AFTER FABRICATION.
 2. ALL RESTRICTOR PLATES, ANGLES AND HARDWARE TO BE INCLUDED IN THE COST OF THE MANHOLE.
 3. BASIS OF PAYMENT: "MANHOLES, TYPE A, 1.8m (6FT.) DIAMETER, TYPE I FRAME, CLOSED LID, RESTRICTOR PLATE" EACH



OUTLET CONTROL STRUCTURE NO.	STATION, OFFSET (METER)	RIM ELEV. (METER)	RESTRICTOR INVERT ELEV. (METER)	TOP WEIR (METER)	RESTRICTOR SIZE IN DIAMETER	RECEIVING SYSTEM SIZE
Y12	7+230.0, 20.0m LT.	253.000	251.750	252.500	100 mm	DITCH
A2	7+380.0, 13.6m LT.	253.300	251.500	252.740	350 mm	900 mm
C3R	7+980.0	258.833	255.476	257.096	325 mm	825 mm
F7	8+550.0, 20.6m RT.	262.000	258.500	260.500	100 mm	375 mm
I2AR	8+909.9, 58.7m LT.	261.750	258.850	260.350	755 mm	DITCH/CULVERT
J8	9+305.0, 22.0m RT.	266.017	264.660	265.580	325 mm	450 mm
K26	9+799.0, 11.8 RT.	269.073	267.000	268.400	325 mm	900 mm
K6	10+000, 11.4m RT.	266.568	264.870	266.040	450 mm	900 mm
M2R	1+194.0, 5.7m RT. RAND ROAD	258.427	254.672	257.000	230 mm	450 mm
O4	1+718.0, 19.8 RT. EG&E R.R.	260.800	257.142	258.362	350 mm	750 mm



- TOTAL BOLTS REQUIRED: 22
- NOTE:
1. ANGLES SHOULD BE 75 x 75 x 10 (3x3x3/8)
 2. VERTICAL ANGLES SHOULD EXTEND FROM THE BOTTOM OF THE RESTRICTOR PLATE TO THE TOP.
 3. HORIZONTAL ANGLES SHOULD EXTEND FROM VERTICAL ANGLE TO VERTICAL ANGLE.

RESTRICTOR TYPE					
1	2	3	4	5	6
RE-ENTRANT TUBE	SHARP EDGED	SQUARE EDGED	RE-ENTRANT TUBE	SQUARE EDGED	ROUNDED
LENGTH: 1/2 TO 1 DIA.		STREAM CLEARS SIDES	LENGTH: 2-1/2 DIA.	LENGTH: 2-1/2 DIA.	
C=.52	C=.61	C=.61	C=.73	C=.82	C=.98

VALUES OF "C" FOR CIRCULAR AND SQUARE ORIFICES

C = 0.61

ALL DIMENSIONS ARE IN MILLIMETERS (INCHES) UNLESS OTHERWISE SHOWN.

ILLINOIS DEPARTMENT OF TRANSPORTATION

MANHOLE WITH RESTRICTOR PLATE

REVISIONS	
NAME	DATE
R. SHAH	09/09/94
R. SHAH	10/25/94
E. GOMEZ	08/28/00
M. GOMEZ	01/08/01

SCALE: NONE
DATE 02/28/2003

DRAWN BY
CHECKED BY
BD600-04 (BD-12)
REVISION DATE: 01/08/01