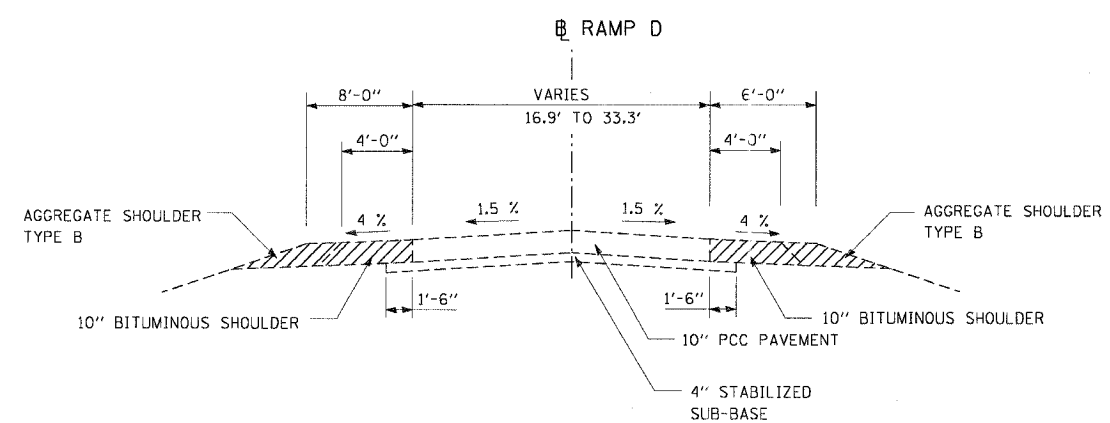


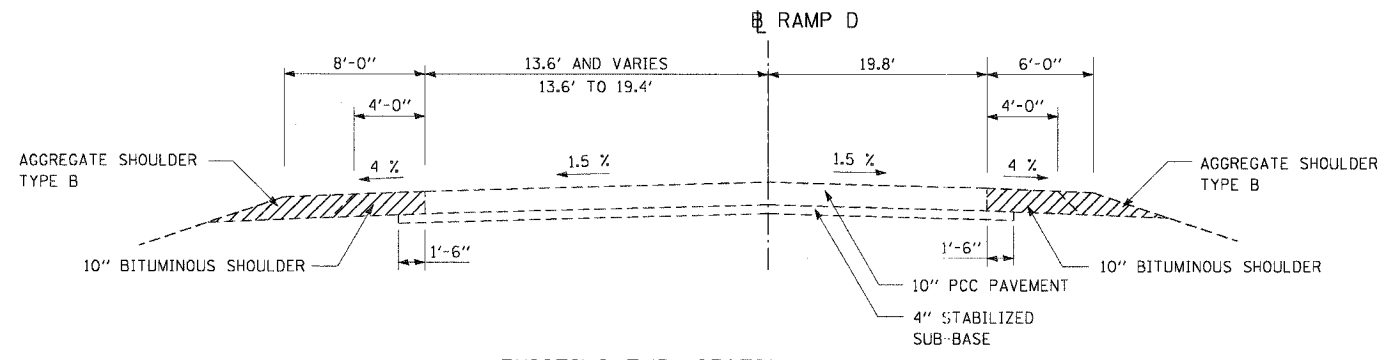
| | | | | |
|---------------------|---------------------------|------------------|--------------|-----------|
| F.A.I. RTE. | SECTION | COUNTY | TOTAL SHEETS | SHEET NO. |
| 55 | 2002-022 K | WILL | 172 | 12 |
| STA. 10+00 | | TO STA. 22+96.05 | | |
| FED. ROAD DIST. NO. | ILLINOIS FED. AID PROJECT | | | |
| CONTRACT NO. 62389 | | | | |

| | |
|---------------|----|
| DATE | BY |
| | |
| REVISIONS | |
| NOTED | |
| ALIGNED | |
| CHECKED | |
| CAD FILE NAME | |

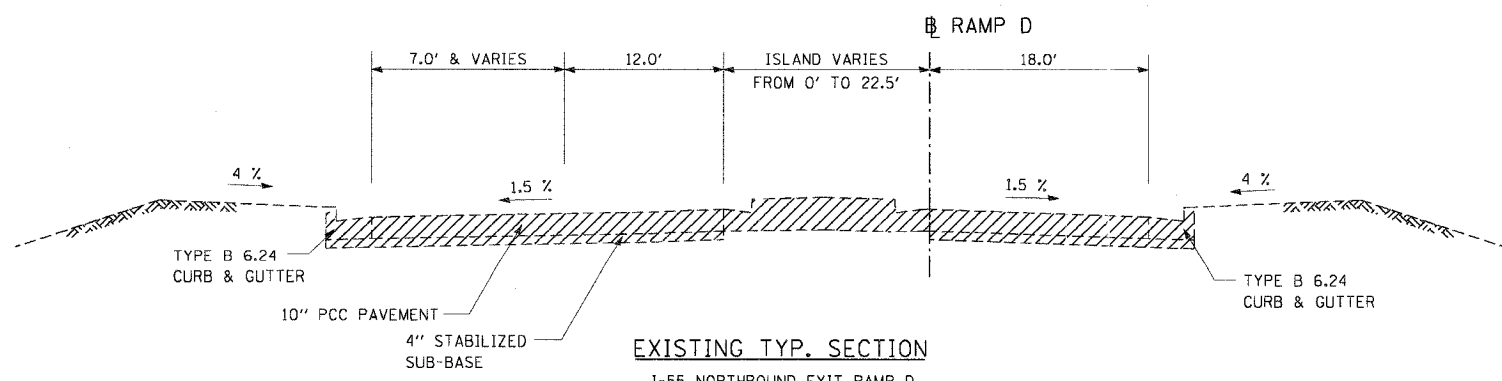
| | |
|-----------------------------|----|
| DATE | BY |
| | |
| REVISIONS | |
| GRADES CHECKED | |
| STRUCTURE NOTATIONS CHECKED | |



EXISTING TYP. SECTION
 1-55 NORTHBOUND EXIT RAMP D
 STA 105+44.60 TO STA 109+69.49



EXISTING TYP. SECTION
 1-55 NORTHBOUND EXIT RAMP D
 STA 109+69.49 TO STA 110+50.00



EXISTING TYP. SECTION
 1-55 NORTHBOUND EXIT RAMP D
 STA 110+50.00 TO STA 111+87.91

LEGEND:
 ITEM TO BE REMOVED

| REVISIONS | |
|-----------|------|
| NAME | DATE |
| | |
| | |
| | |
| | |
| | |
| | |
| | |
| | |
| | |
| | |

ILLINOIS DEPARTMENT OF TRANSPORTATION
 EXISTING TYPICAL SECTIONS
 I-55 NORTHBOUND EXIT RAMP D

DMJM HARRIS
 303 East Wacker Drive, Suite 600
 Chicago, Illinois, 60601 Phone: 312.321.6101 Fax: 312.396.2392

SCALE: NTS
 DATE: 11/8/2004
 DRAWN BY: CC
 CHECKED BY: RI

OCTOBER, 2004