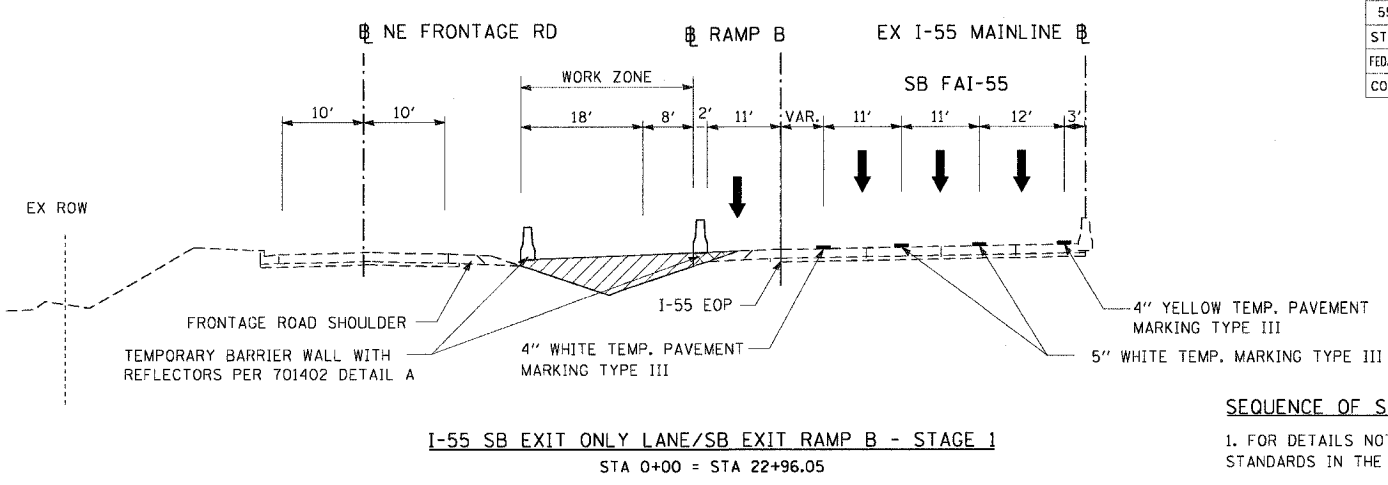
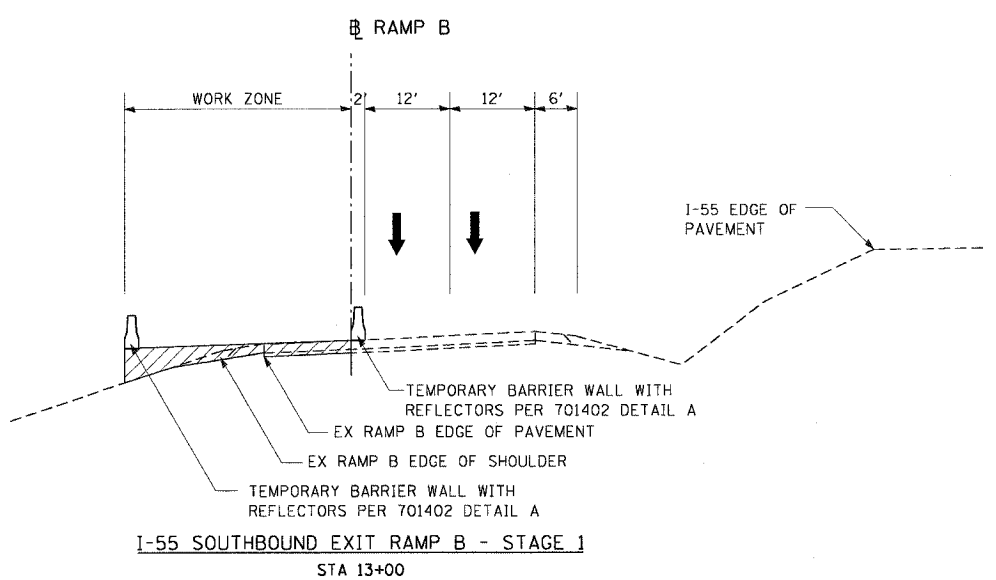


F.A.I. RTE.	SECTION	COUNTY	TOTAL SHEETS	SHEET NO.
55	2002-022 K	WILL	172	24
STA. 10+00		TO STA. 22+96.05		
FED. ROAD DIST. NO.		ILLINOIS FED. AID PROJECT		
CONTRACT NO. 62389				

DATE	BY
DATE	BY
DATE	BY
DATE	BY

DATE	BY
DATE	BY
DATE	BY
DATE	BY



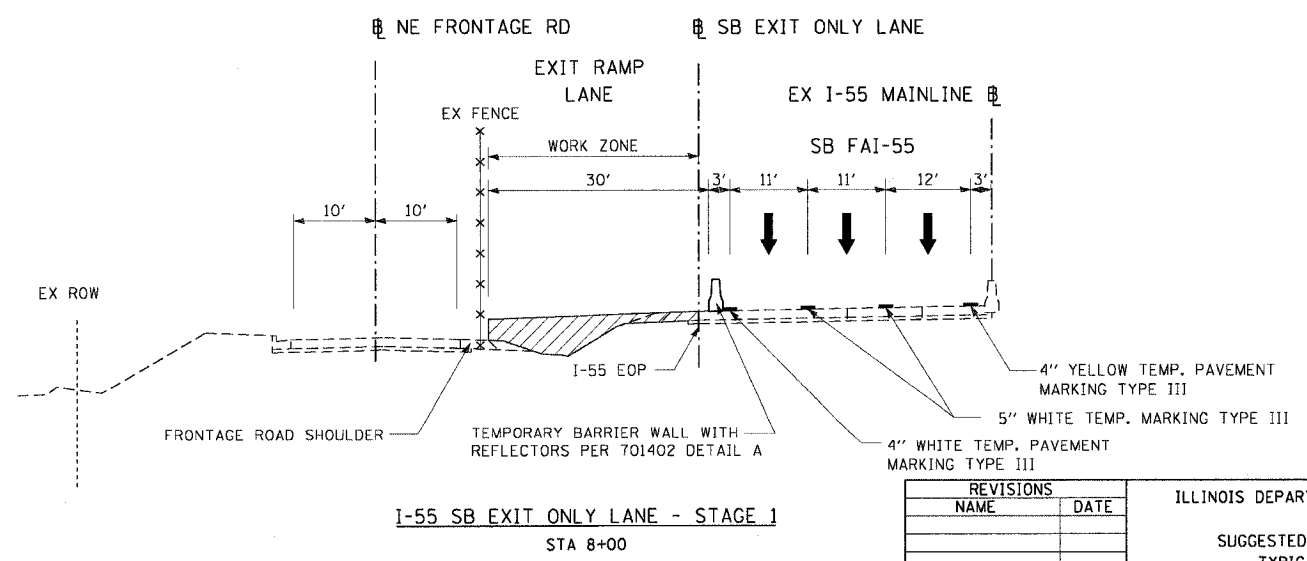
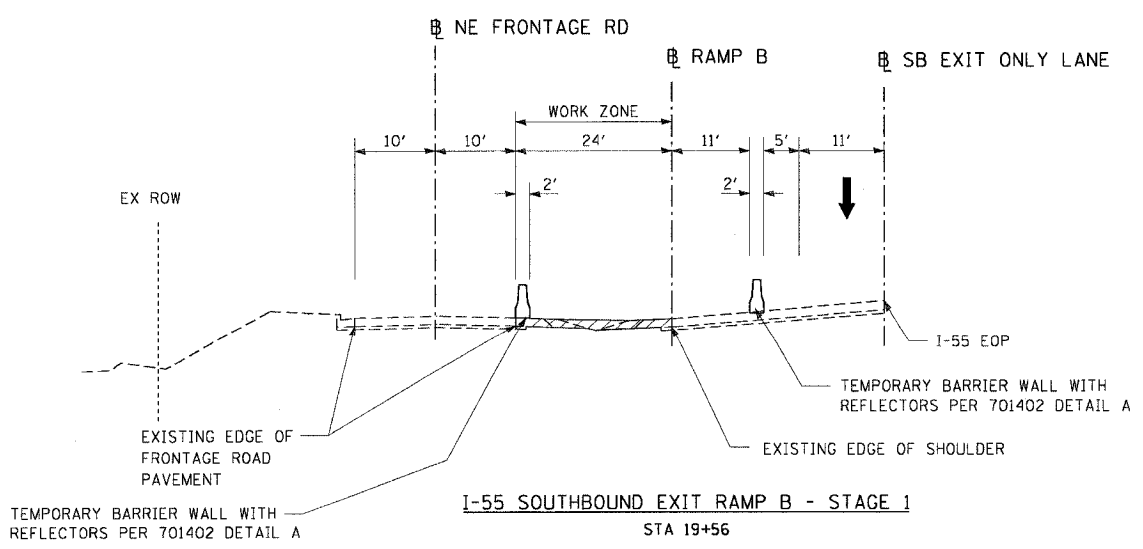
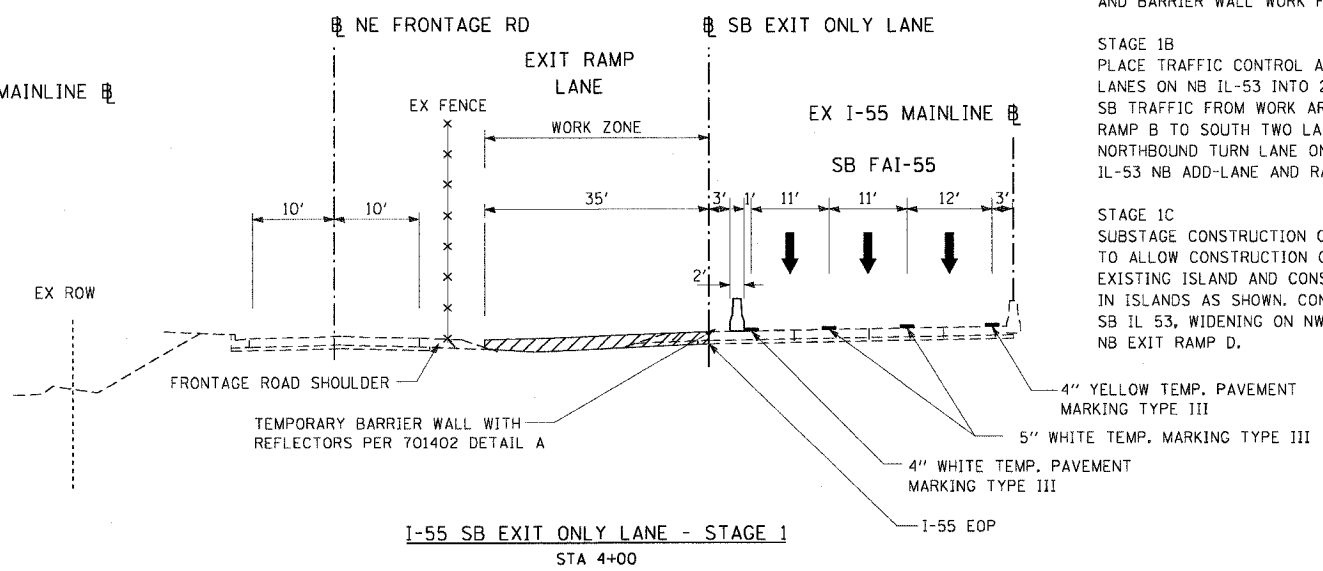
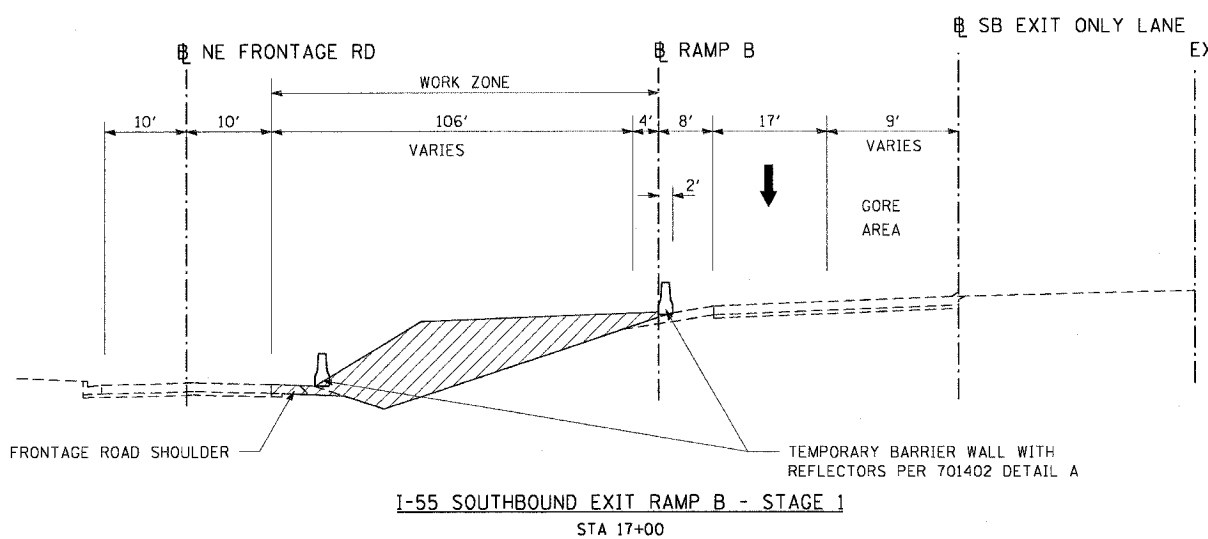
**SEQUENCE OF STAGING**

1. FOR DETAILS NOT SHOWN, SEE IDOT HIGHWAY STANDARDS IN THE PLANS.

STAGE 1A  
PLACE TRAFFIC CONTROL FOR WEAVE ACCORDING TO TC-9 & TC-17 AND PERFORM CENTER SIGN FOUNDATION AND BARRIER WALL WORK FOR OVERHEAD SIGN.

STAGE 1B  
PLACE TRAFFIC CONTROL AS SHOWN. SHIFT TRAFFIC LANES ON NB IL-53 INTO 2-11' LANES. SHIFT I-55 SB TRAFFIC FROM WORK AREA. SHIFT I-55 SB EXIT RAMP B TO SOUTH TWO LANES ON RAMP. MAINTAIN NORTHBOUND TURN LANE ON RAMP. CONSTRUCT IL-53 NB ADD-LANE AND RAMP B AUXILIARY LANE.

STAGE 1C  
SUBSTAGE CONSTRUCTION OF THE CORNER OF RAMP B TO ALLOW CONSTRUCTION OF NB TURN LANES. REMOVE EXISTING ISLAND AND CONSTRUCT TEMPORARY PAVEMENT IN ISLANDS AS SHOWN. CONSTRUCT CURB & GUTTER ON SB IL 53, WIDENING ON NW FRONTAGE ROAD, AND NB EXIT RAMP D.



REVISIONS	
NAME	DATE

ILLINOIS DEPARTMENT OF TRANSPORTATION

SUGGESTED CONSTRUCTION STAGING  
TYPICAL CROSS SECTIONS  
RAMP B AND I-55 SB EXIT ONLY LANE  
STAGE 1

SCALE: N.T.S.  
DATE: 11/8/2004

DRAWN BY: CC  
CHECKED BY: RI

**DMJM HARRIS**  
303 East Wacker Drive, Suite 600  
Chicago, Illinois, 60601 Phone: 312.321.6101 Fax: 312.396.2392