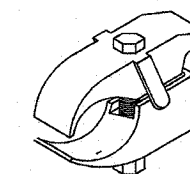


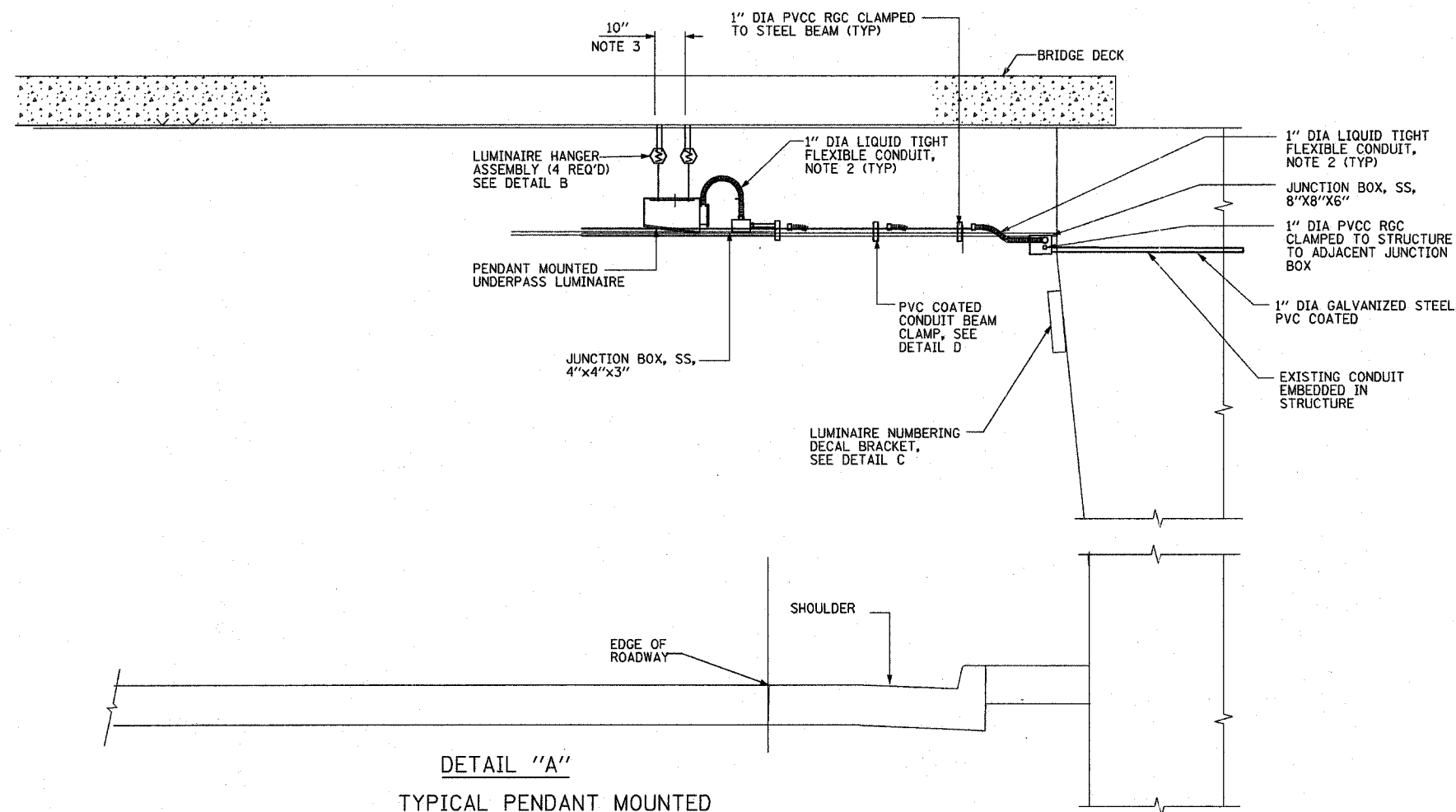
F.A.I. RT#	SECTION	COUNTY	TOTAL SHEETS	SHEET NO.
55	2002-022 K	WILL.	172	80
STA.	TO STA.			
FED. ROAD DIST. NO.	ILLINOIS	FED. AID PROJECT		
CONTRACT # 62389				

NOTES:

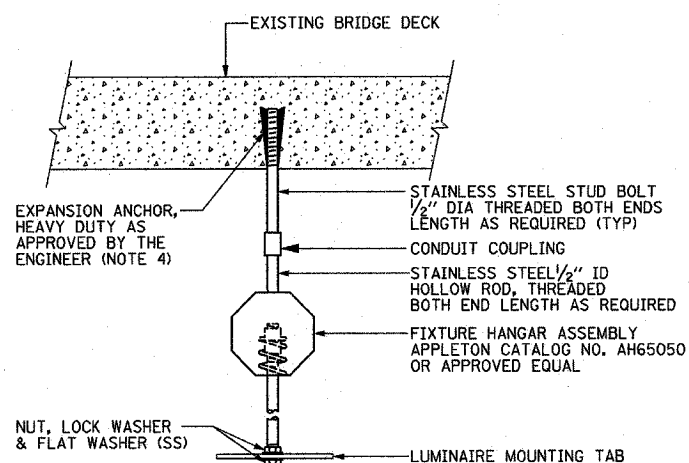
- 1" DIAMETER LIQUID TIGHT FLEXIBLE METAL CONDUIT, MAXIMUM LENGTH 3'-0", TYPICAL FOR EACH INSTANCE AS SHOWN. PROVIDE PVC COATED RIGID GALVANIZED STEEL CONDUIT AS REQUIRED NOT TO EXCEED 3'-0" OF FLEXIBLE LIQUID TIGHT METAL CONDUIT. LIQUID TIGHT FLEXIBLE METAL CONDUIT WILL BE CONSIDERED INCIDENTAL TO THE "CONDUIT ATTACHED TO STRUCTURE, 1" DIA., GALVANIZED STEEL, PVC COATED" PAY ITEM.
- SEE UNDERPASS LIGHTING PLANS FOR INSTALLATION LOCATION OF UNDERPASS LIGHTING LUMINAIRES.
- THE CONTRACTOR MUST USE APPROVED SINGLE COIL FLARED LOOP INSERTS WHEN PENDANT MOUNTING AN UNDERPASS LUMINAIRE TO A NEW BRIDGE DECK. THE FLARED LOOP INSERTS MUST BE CAST INTO THE CONCRETE DECK. THE CONTRACTOR IS RESPONSIBLE FOR LOCATING AND COORDINATING THE INSERT LOCATIONS FOR MOUNTING THE UNDERPASS LIGHTING SYSTEM AS SHOWN ON THE PLANS WITH THE BRIDGE DECK CONTRACTOR. SEE DETAIL B FOR NEW BRIDGE DECK INSTALLATION DETAIL.
- THE UNDERPASS LUMINAIRE HANGER ASSEMBLY COMPLETE WITH APPROVED HEAVY DUTY EXPANSION ANCHORS AND/OR SINGLE COIL FLARED LOOP INSERTS AND ALL APPLICABLE HARDWARE WILL BE CONSIDERED INCIDENTAL TO THE "UNDERPASS LUMINAIRE, 70 WATT, HPS VAPOR" PAY ITEM.
- SECURE THE CONDUIT WITH PVC COATED CONDUIT CLAMPS OR CONDUIT BEAM CLAMPS AS SHOWN AT 5'-0" INTERVALS FOR LATERALS AND WITHIN 2'-0" MAXIMUM FROM ANY JUNCTION BOX, FLEXIBLE CONDUIT, OR CHANGE IN DIRECTION. ALL PVC COATED CONDUIT CLAMPS OR BEAM CLAMPS WILL BE CONSIDERED INCIDENTAL TO THE "CONDUIT ATTACHED TO STRUCTURE, 1" DIA., GALVANIZED STEEL, PVC COATED" PAY ITEM.
- DIMENSIONS SHOWN FOR LUMINAIRE HANGER ASSEMBLIES ARE BASED ON INSTALLING A 70 WATT HPS UNDERPASS LUMINAIRE MANUFACTURED BY KENALL FT1221 SERIES. THE CONTRACTOR IS RESPONSIBLE FOR VERIFYING THE INSERT/EXPANSION ANCHOR LOCATIONS PRIOR TO BEGINNING ANY UNDERPASS LIGHTING WORK.



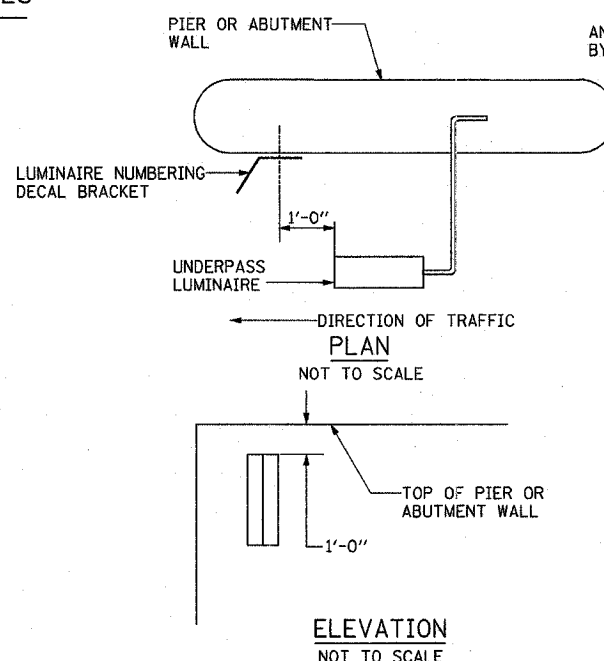
DETAIL "D"
(PVC COATED CONDUIT BEAM CLAMP)



DETAIL "A"
TYPICAL PENDANT MOUNTED
UNDERPASS LIGHTING INSTALLATION DETAILS
NOT TO SCALE

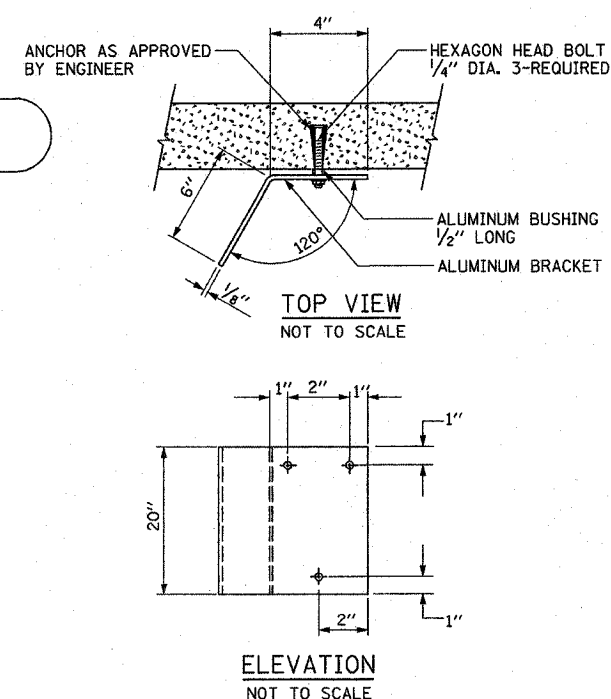


EXISTING BRIDGE DECK INSTALLATION
DETAIL "B"
TYPICAL LUMINAIRE HANGER ASSEMBLY
NOT TO SCALE (NOTE 5)



ELEVATION
NOT TO SCALE

DETAIL "C"
LUMINAIRE NUMBERING DECAL BRACKET
NOT TO SCALE



ELEVATION
NOT TO SCALE

REVISIONS	
NAME	DATE

ILLINOIS DEPARTMENT OF TRANSPORTATION

PENDANT MOUNTED UNDERPASS
LUMINAIRE INSTALLATION DETAILS

SCALE: NONE
DATE: OCTOBER 25, 2004

DRAWN BY: SM
DESIGNED BY: SM
CHECKED BY: SM

