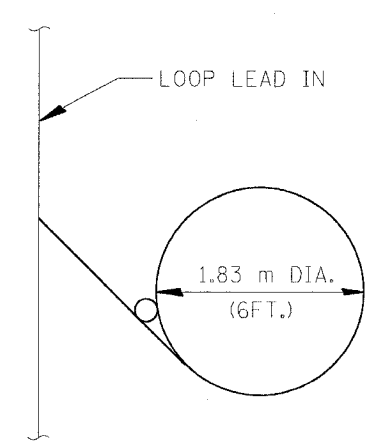
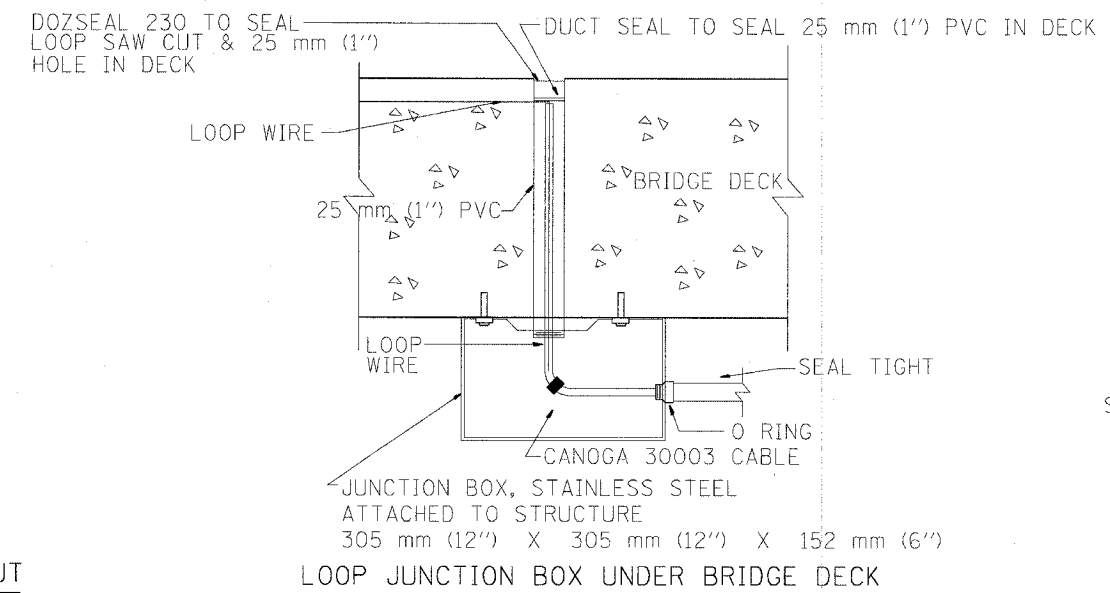


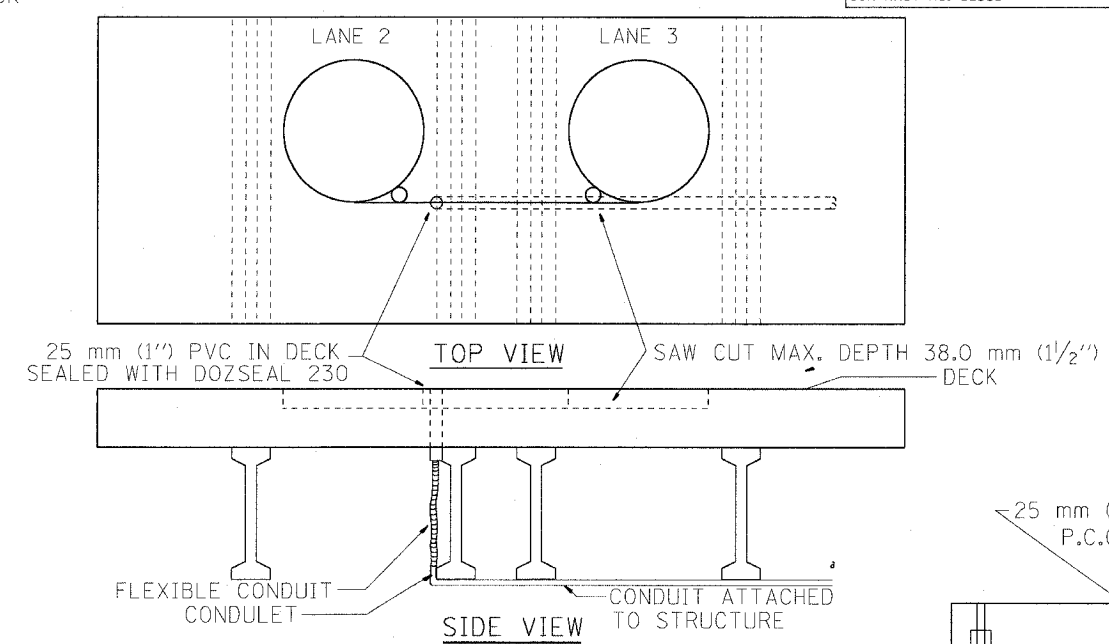
F.A. RTE.	SECTION	COUNTY	TOTAL SHEETS	SHEET NO.
55	2002-022 K	WILL	172	137
STA. 10+00		TO STA. 22+96.05		
FED. ROAD DIST. NO.		ILLINOIS FED. AID PROJECT		
CONTRACT NO. 62389				



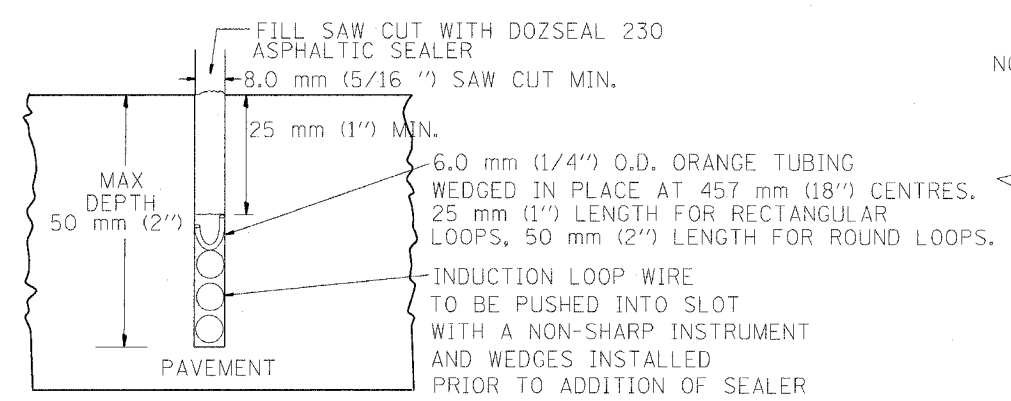
TYPICAL LOOP SAWCUT LAYOUT



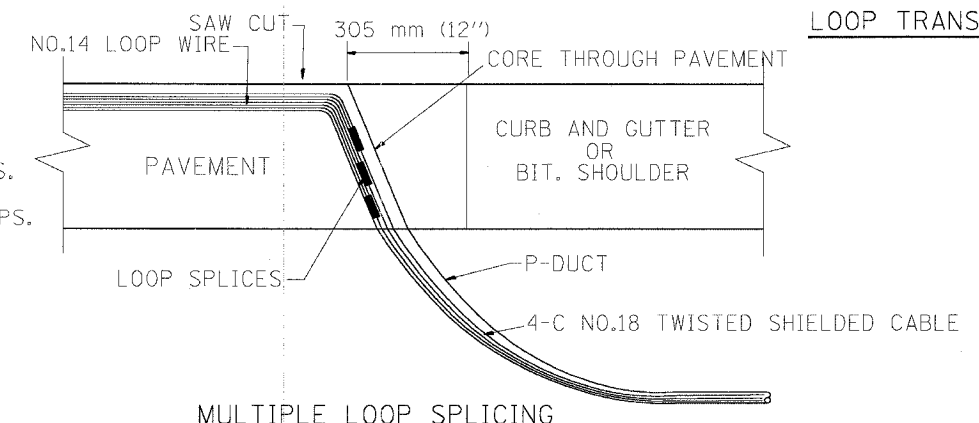
LOOP JUNCTION BOX UNDER BRIDGE DECK



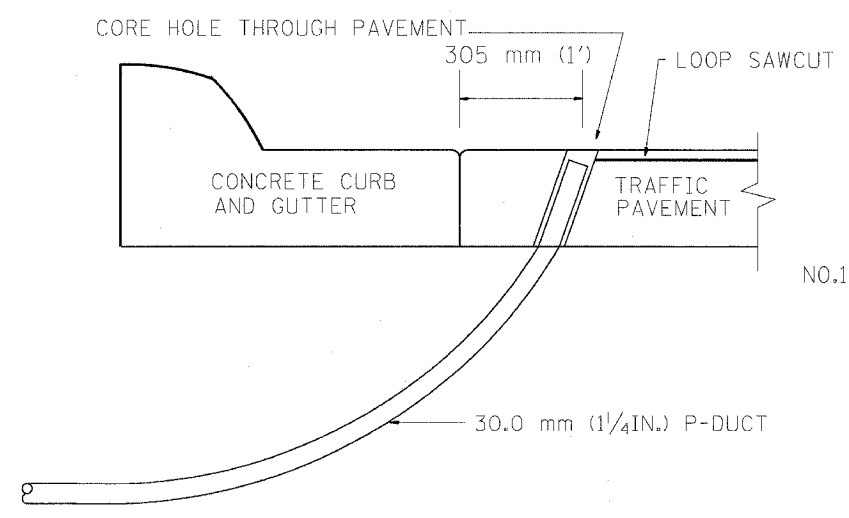
LOOP TRANSITION IN BRIDGE DECK



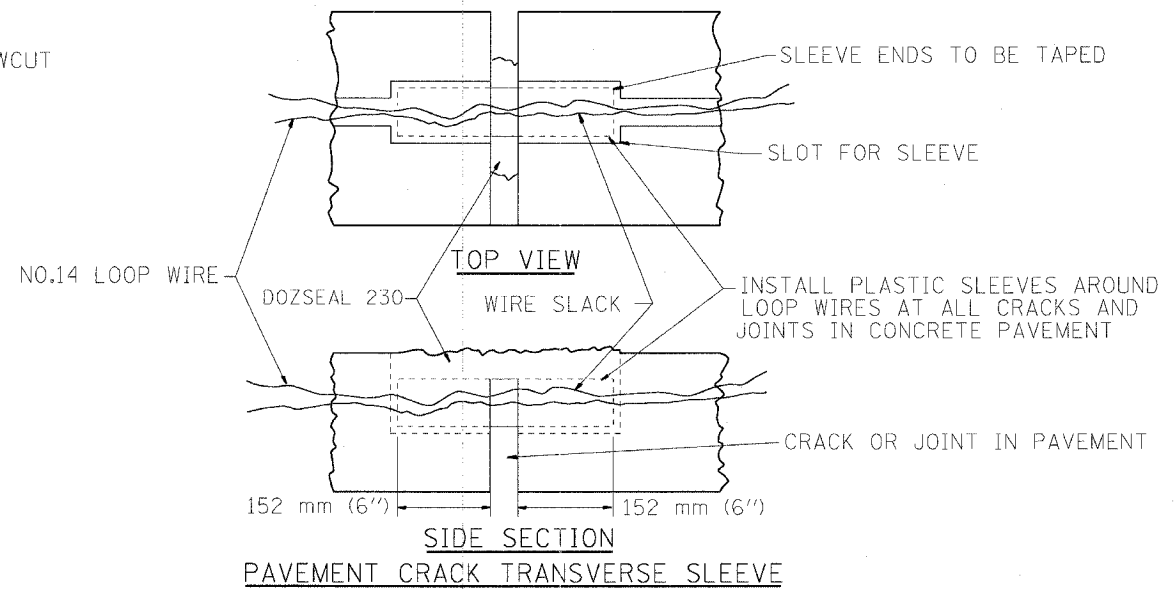
LOOP CROSS SECTION IN PAVEMENT



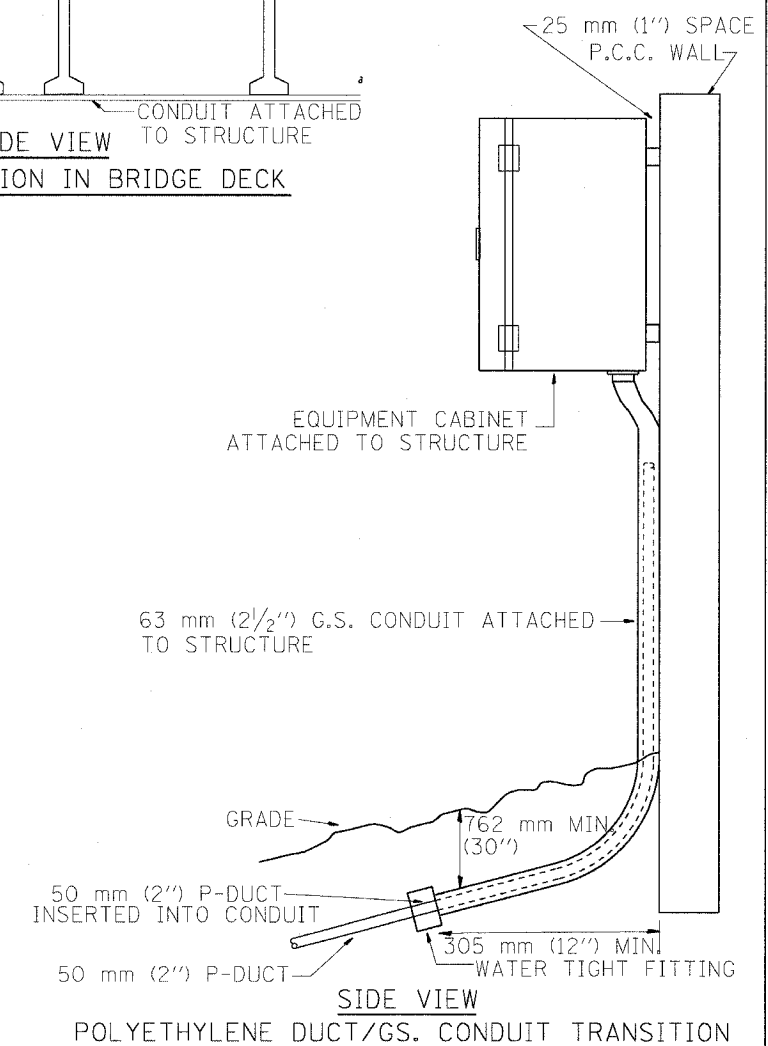
MULTIPLE LOOP SPLICING



SIDE SECTION LOOP LEAD-IN TRANSITION DETAIL



SIDE SECTION PAVEMENT CRACK TRANSVERSE SLEEVE



POLYETHYLENE DUCT/GS. CONDUIT TRANSITION

REVISIONS	
NAME	DATE
R.L.	6/94
R.L.	3/95
T.C.	11/95
R.L.	05/96
T.C.	10/96

ILLINOIS DEPARTMENT OF TRANSPORTATION  
TRAFFIC SYSTEMS CENTER

**LOOP, CONDUIT & DUCT  
INSTALLATION DETAILS**

SCALE: VERT. NONE  
HORIZ. NONE

DATE 6-22-94

DRAWN BY G.M.  
CHECKED BY R.L.

RD-TYPMET.DGN  
RF=

VI-4184