

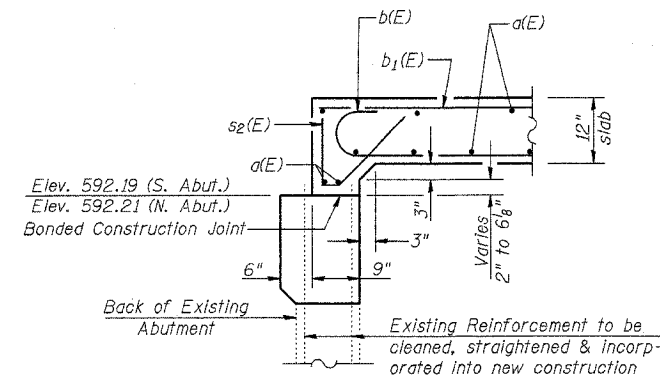
F.A.I.	SECTION	COUNTY	SHEET	SHEET NO.
55	27 BR	WILL	29	11
FED. ROAD DIST. NO. 7		ILLINOIS	FED. AID PROJECT	

SHEET NO.
3 of 8

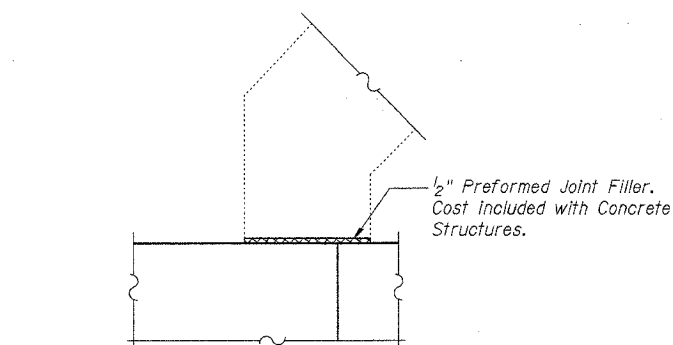
Contract No.: 62424

NOTES

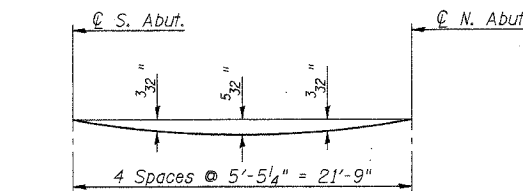
See Sheet 4 of 8 for Deck Cross Section and parapet details.
Reinforcement bars designated (E) shall be epoxy coated.
Work this sheet with sheet 4 of 8.
See Sheet 7 of 8 for Bar Splicer details.
All surfaces where new concrete is cast against existing concrete shall be Bonded Construction Joints unless otherwise noted.



SECTION A-A



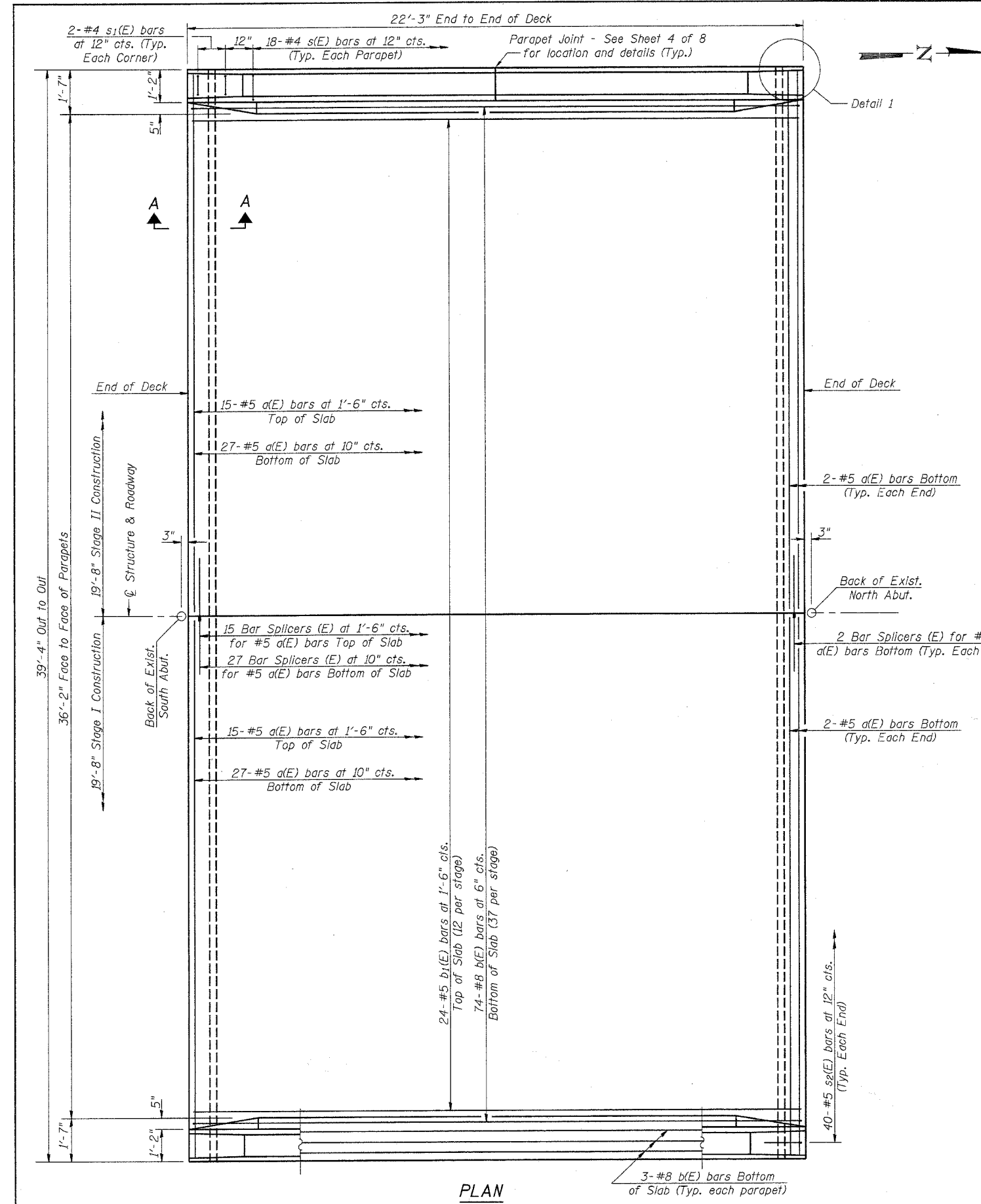
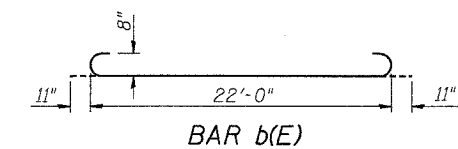
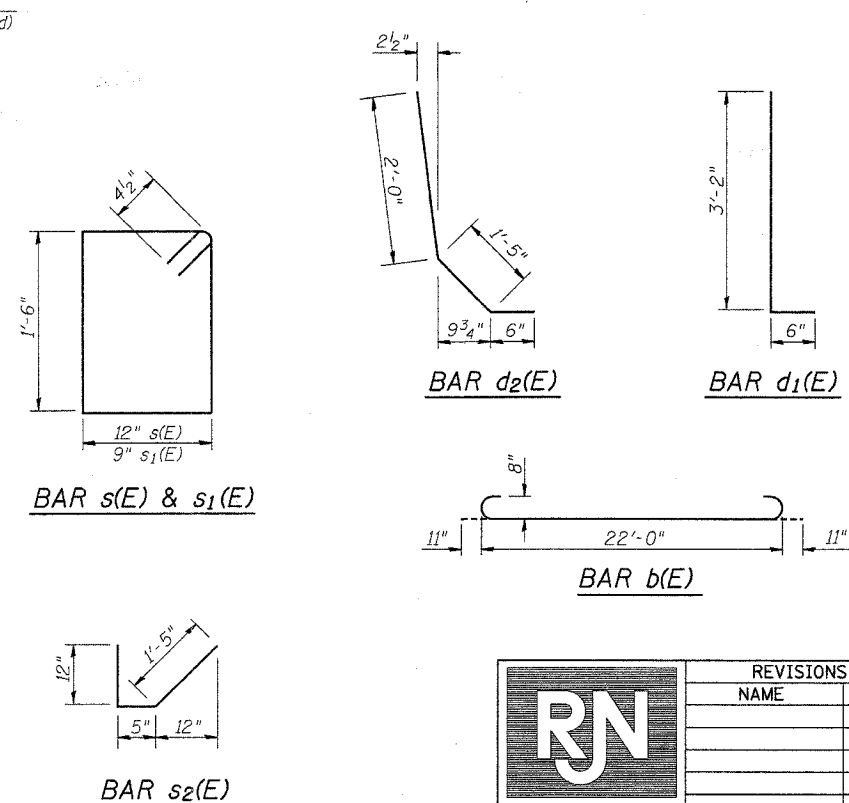
DETAIL 1



DEAD LOAD DEFLECTION DIAGRAM

**SUPERSTRUCTURE
BILL OF MATERIAL**

Bar	No.	Size	Length	Shape
d(E)	92	#5	19'-5"	—
b(E)	80	#8	23'-10"	⌋
b1(E)	24	#5	22'-0"	—
d(E)	44	#4	3'-4"	—
d1(E)	12	#5	3'-8"	⌋
d2(E)	36	#5	3'-11"	⌋
a(E)	24	#4	10'-10"	—
a1(E)	4	#5	22'-0"	—
a2(E)	6	#8	22'-0"	—
s(E)	36	#4	5'-9"	□
s1(E)	8	#4	5'-3"	□
s2(E)	80	#5	2'-10"	⌋
Reinforcement Bars, Epoxy Coated			Pound	8820
Concrete Superstructure			Cu. Yd.	39.0
Bar Splicers			Each	46



PLAN

RN GROUP
R/N GROUP, INC.
WHEATON, IL 60187

REVISIONS	
NAME	DATE

ILLINOIS DEPARTMENT OF TRANSPORTATION
SUPERSTRUCTURE
FAI RTE. 55 (EAST FRONTAGE ROAD)
OVER SUNNYLAND DRAIN
SECTION 27 BR
WILL COUNTY
STATION 105+12.13
STRUCTURE NO. 099-0032
DATE: 11/10/04
DRAWN BY WJV
CHECKED BY BLB