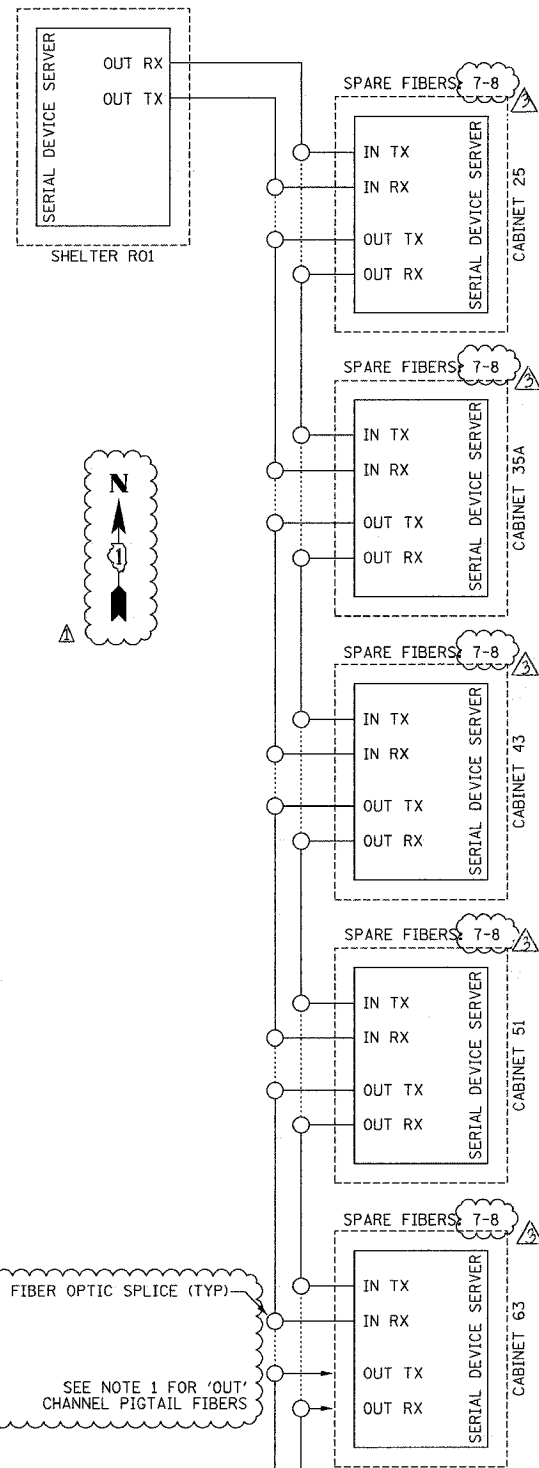
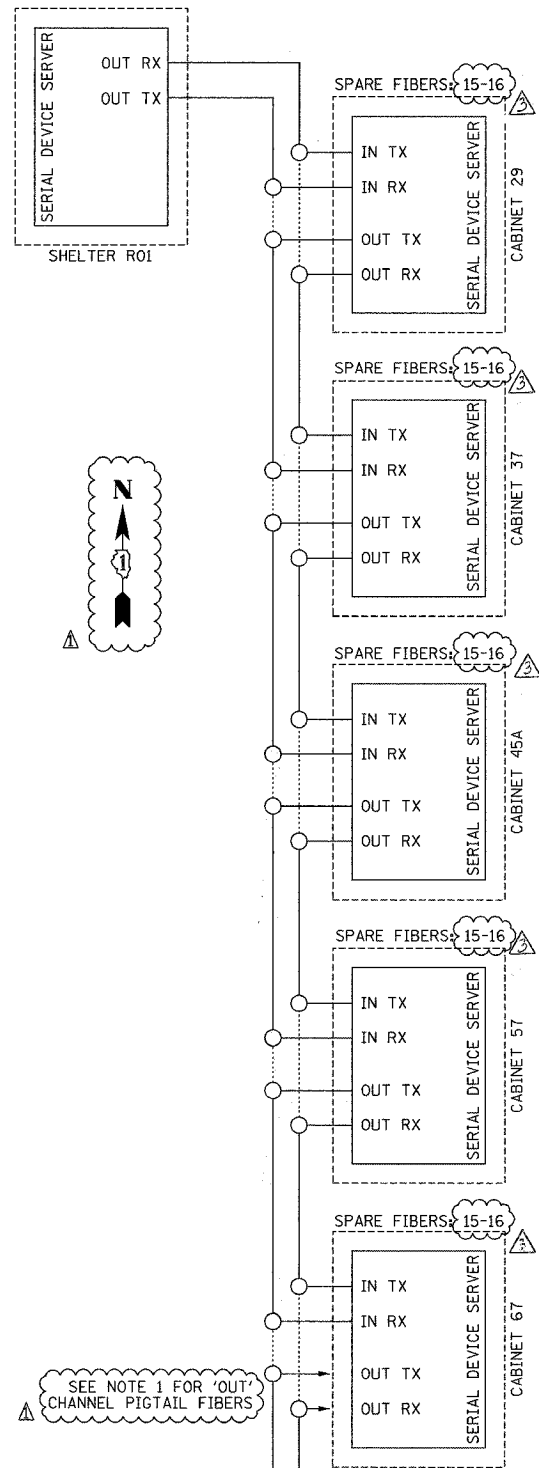


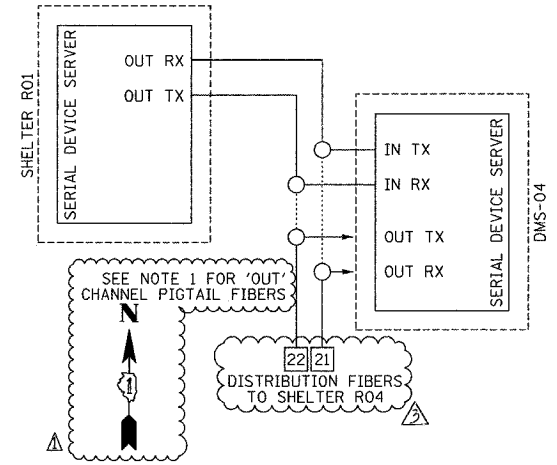
SECTION	COUNTY	TOTAL SHEETS	SHEET NO.
2003-0311	COOK	976	827
STA. TO STA.		FED. ROAD DIST. NO. ILLINOIS FED. AID PROJECT	
62583			



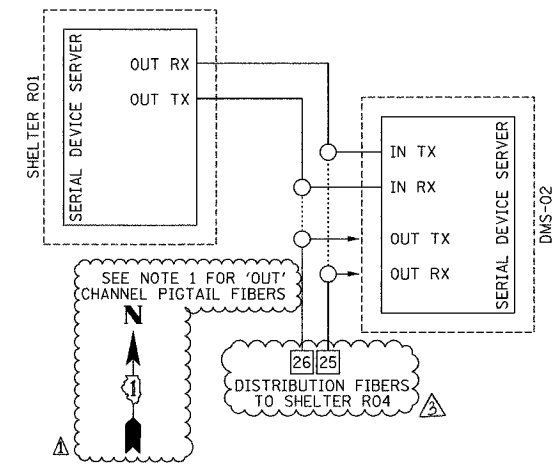
**CIRCUIT DR-R01-SURV-03**  
FIVE SERIAL DEVICE SERVERS



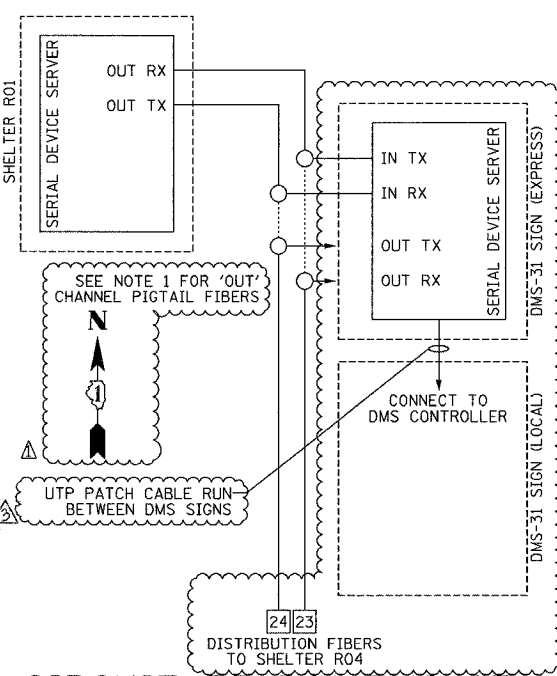
**CIRCUIT DR-R01-SURV-07**  
FIVE SERIAL DEVICE SERVERS



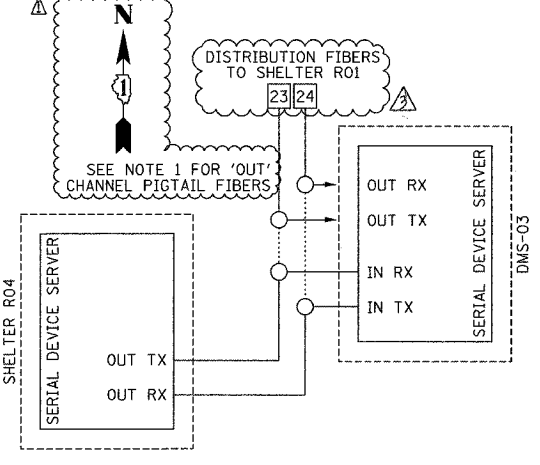
**CIRCUIT DR-R01-DMS-02**  
ONE SERIAL DEVICE SERVER



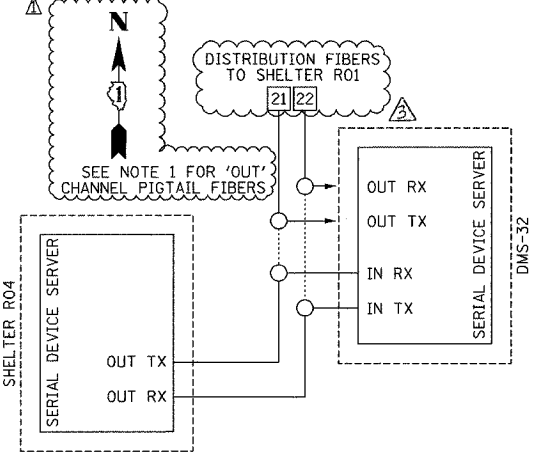
**CIRCUIT DR-R01-DMS-06**  
ONE SERIAL DEVICE SERVER



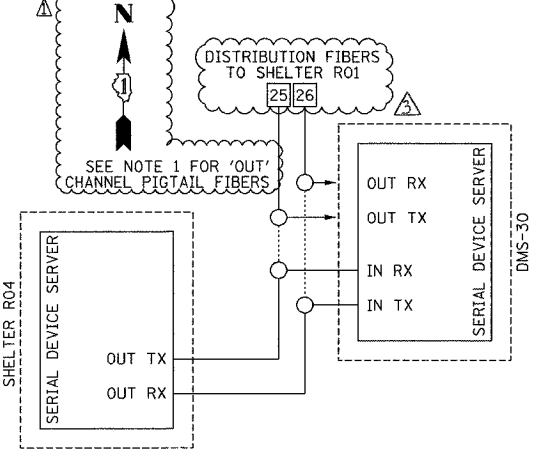
**CIRCUIT DR-R01-DMS-03**  
TWO SERIAL DEVICE SERVERS



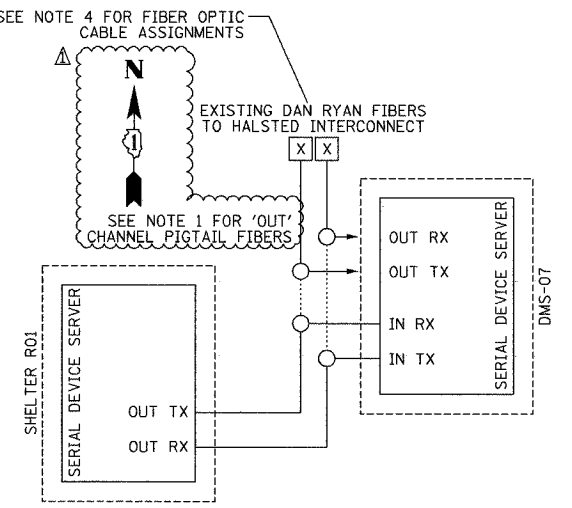
**CIRCUIT DR-R04-DMS-04**  
ONE SERIAL DEVICE SERVER



**CIRCUIT DR-R04-DMS-01**  
ONE SERIAL DEVICE SERVER



**CIRCUIT DR-R04-DMS-05**  
ONE SERIAL DEVICE SERVER



**CIRCUIT DR-R01-DMS-07**  
ONE SERIAL DEVICE SERVER

- NOTES:**
- FIBERS IN PIGTAIL ARE SPLICED TO MAINLINE FIBERS AND TERMINATED IN THE CABINET BUT ARE NOT CONNECTED TO EQUIPMENT.
  - THIS SHEET PROVIDES AN OVERVIEW OF THE SURVEILLANCE SYSTEM. FOR LOCATIONS OF EQUIPMENT INSTALLATION, SEE SHEETS DET-01 THRU DET-47.
  - CONNECTIONS BETWEEN EQUIPMENT IS BY FIBER OPTIC CABLE INSTALLED UNDER THIS CONTRACT. SEE SHEETS COMM-01 THRU COMM-51 FOR FIBER INSTALLATION PLANS.
  - CONTRACTOR SHALL SPLICED PIGTAIL FIBERS TO EXISTING DAN RYAN 96 FIBER CABLE IN BARRIER WALL. CONTRACTOR SHALL COORDINATE WITH ENGINEER FOR FIBER OPTIC CABLE SPLICING ASSIGNMENTS. SEE SHEET COMM-52 FOR SITE PLAN DETAILS.
  - FOR FIBER OPTIC SPLICE TABLES, SEE SHEETS COMM-62 THRU COMM-69.
- | DESIGNATION | SHELTER                       |
|-------------|-------------------------------|
| R01         | I-55 SHELTER                  |
| R02         | IDOT MAINTENANCE YARD SHELTER |
| R03         | EAST SHELTER                  |
| R04         | EXISTING I-57 SHELTER         |

REVISIONS	
NAME	DATE
REVISION 1	12/17/04
REVISION	02/11/05

ILLINOIS DEPARTMENT OF TRANSPORTATION  
**F.A.I. 94/90 (DAN RYAN EXPRESSWAY)**  
 31st STREET to I-57

**SURVEILLANCE SYSTEM DIAGRAMS**  
 (SHEET 3 OF 3)

SCALE: NOT TO SCALE  
 DATE: October 29, 2004

DRAWN BY: DHI  
 CHECKED BY: JEZ