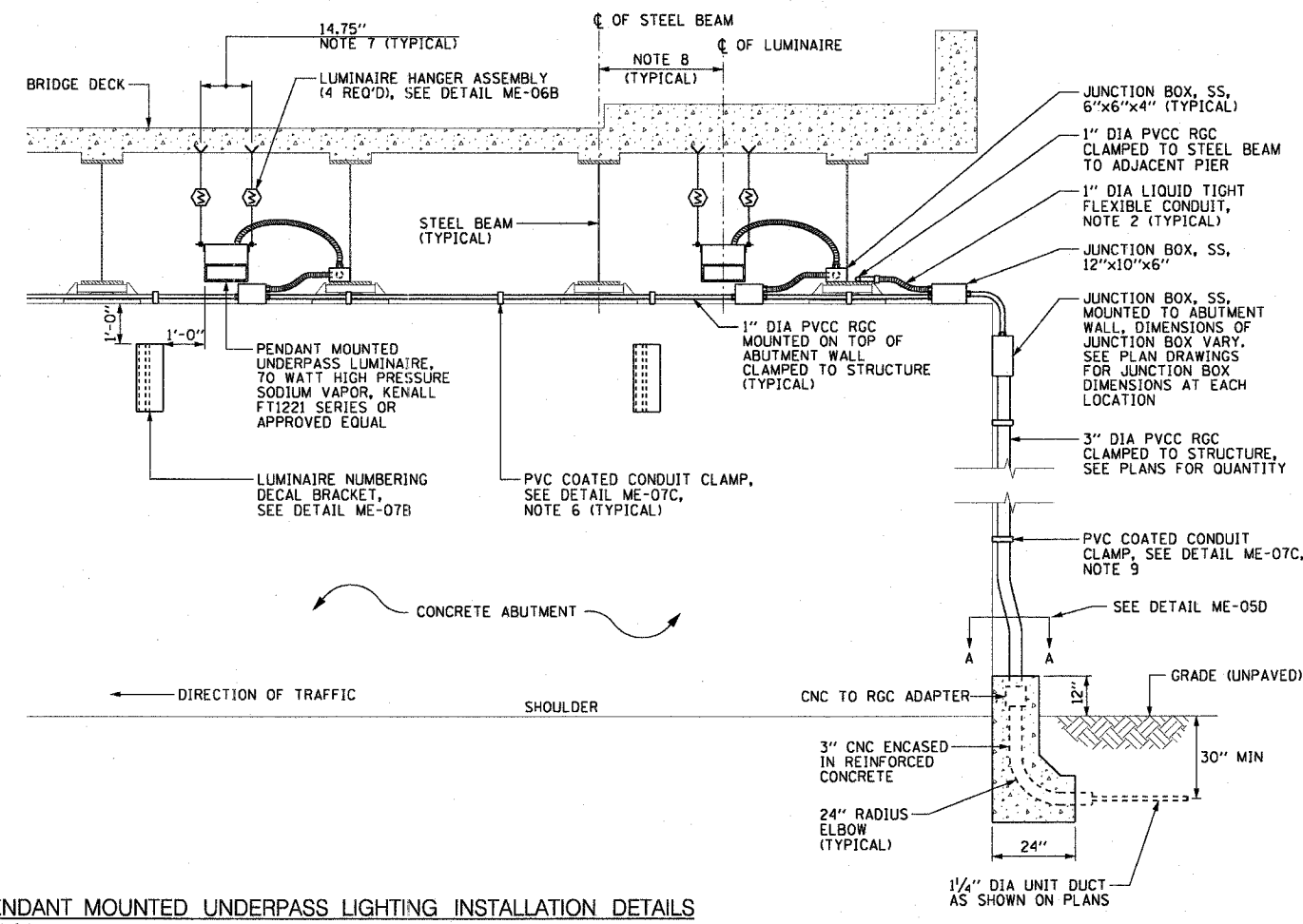
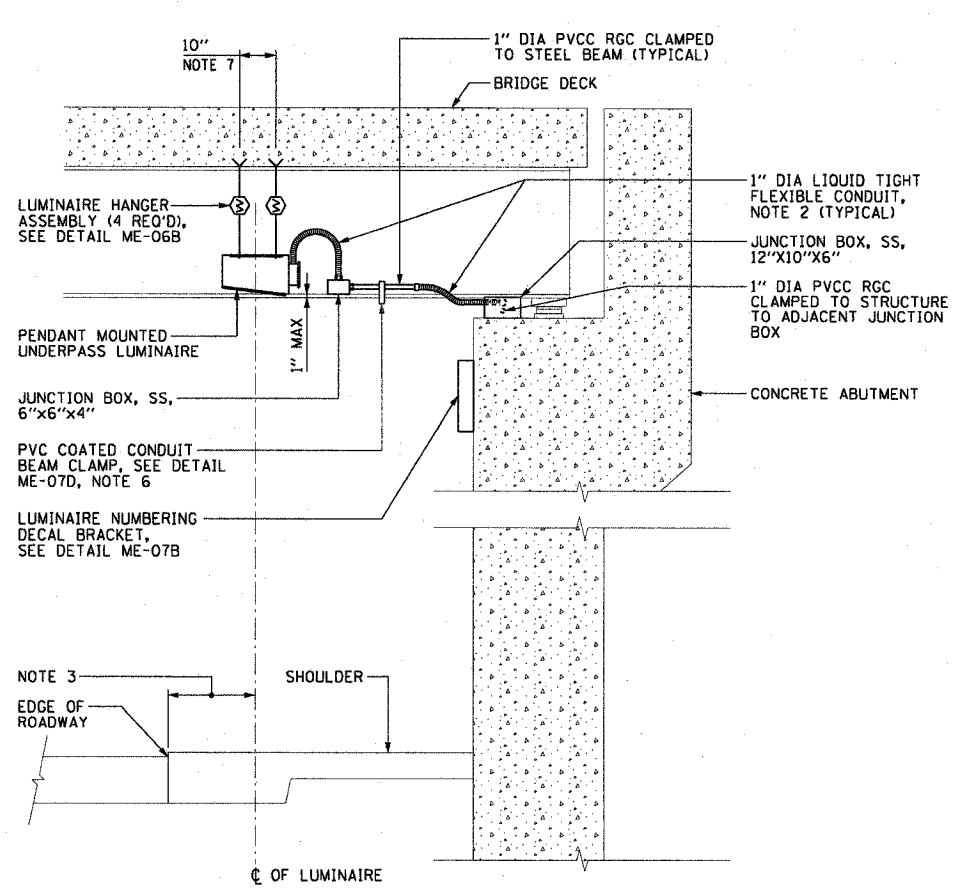


F.A.I. RTE.	SECTION	COUNTY	TOTAL SHEETS	SHEET NO.
90/94	2003-0311	COOK	976	48
STA.	TO STA.			
FED. ROAD DIST. NO. 1	ILLINOIS	FED. AID PROJECT		

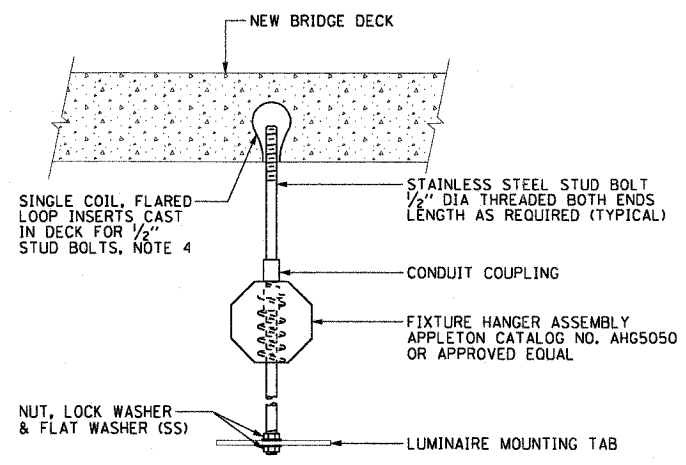
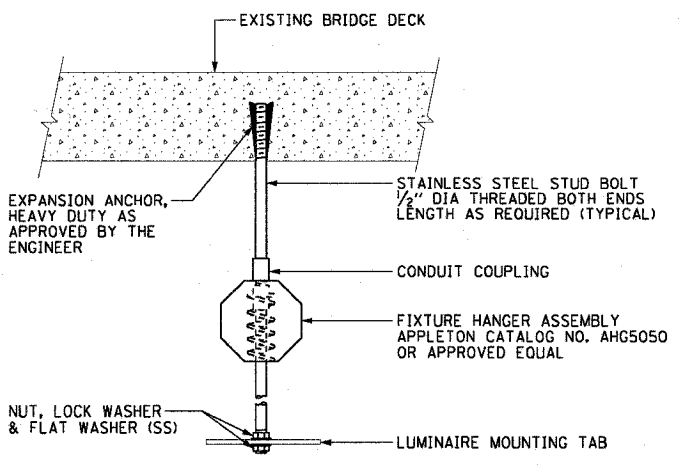
62583

NOTES:

- SEE DRAWINGS ME-01 AND ME-02 FOR ELECTRICAL SYMBOLS AND ABBREVIATIONS.
- 1" DIAMETER LIQUID TIGHT FLEXIBLE METAL CONDUIT, MAXIMUM LENGTH 3'-0", TYPICAL FOR EACH INSTANCE AS SHOWN. PROVIDE PVC COATED RIGID GALVANIZED STEEL CONDUIT AS REQUIRED NOT TO EXCEED 3'-0" OF FLEXIBLE LIQUID TIGHT METAL CONDUIT. LIQUID TIGHT FLEXIBLE METAL CONDUIT WILL BE INCLUDED IN THE COST OF THE "CONDUIT ATTACHED TO STRUCTURE, 1" DIA., GALVANIZED STEEL, PVC COATED" PAY ITEM.
- CENTER UNDERPASS LIGHTING LUMINAIRES 2 FEET TO 5 FEET (VARIES) FROM EDGE OF ROADWAY. SEE UNDERPASS LIGHTING PLANS FOR INSTALLATION LOCATION OF UNDERPASS LIGHTING LUMINAIRES.
- THE CONTRACTOR MUST USE APPROVED SINGLE COIL FLARED LOOP INSERTS WHEN PENDANT MOUNTING AN UNDERPASS LUMINAIRE TO A NEW BRIDGE DECK. THE FLARED LOOP INSERTS MUST BE CAST INTO THE CONCRETE DECK. THE CONTRACTOR IS RESPONSIBLE FOR LOCATING AND COORDINATING THE INSERT LOCATIONS FOR MOUNTING THE UNDERPASS LIGHTING SYSTEM AS SHOWN ON THE PLANS WITH THE BRIDGE DECK CONTRACTOR. SEE DETAIL ME-06B FOR NEW BRIDGE DECK INSTALLATION DETAIL.
- THE UNDERPASS LUMINAIRE HANGER ASSEMBLY COMPLETE WITH APPROVED HEAVY DUTY EXPANSION ANCHORS AND/OR SINGLE COIL FLARED LOOP INSERTS AND ALL APPLICABLE HARDWARE WILL BE INCLUDED IN THE COST OF THE "UNDERPASS LUMINAIRE, 70 WATT, HIGH PRESSURE SODIUM VAPOR, STAINLESS STEEL HOUSING" PAY ITEM.
- SECURE THE CONDUIT WITH PVC COATED CONDUIT CLAMPS OR CONDUIT BEAM CLAMPS AS SHOWN AT 5'-0" INTERVALS FOR LATERALS AND WITHIN 2'-0" MAXIMUM FROM ANY JUNCTION BOX, FLEXIBLE CONDUIT, OR CHANGE IN DIRECTION. ALL PVC COATED CONDUIT CLAMPS OR BEAM CLAMPS WILL BE INCLUDED WITH THE COST OF THE "CONDUIT ATTACHED TO STRUCTURE, 1" DIA., GALVANIZED STEEL, PVC COATED" PAY ITEM.
- DIMENSIONS SHOWN FOR LUMINAIRE HANGER ASSEMBLIES ARE BASED ON INSTALLING A 70 WATT HPS UNDERPASS LUMINAIRE MANUFACTURED BY KENALL FT1221 SERIES. THE CONTRACTOR IS RESPONSIBLE FOR VERIFYING THE INSERT/EXPANSION ANCHOR LOCATIONS PRIOR TO BEGINNING ANY UNDERPASS LIGHTING WORK.
- ALL UNDERPASS LUMINAIRES MUST BE CENTERED IN THE BEAM SPACE AS INDICATED ON THE PLANS UNLESS DIRECTED OTHERWISE BY THE ENGINEER.
- SECURE THE CONDUIT WITH PVC COATED CONDUIT CLAMPS AT 5'-0" INTERVALS FOR LATERALS AND WITHIN 2'-0" MAXIMUM FROM ANY JUNCTION BOX OR CHANGE IN DIRECTION. ALL PVC COATED CONDUIT CLAMPS WILL BE INCLUDED WITH THE COST OF THE "CONDUIT ATTACHED TO STRUCTURE, 1" DIA., GALVANIZED STEEL, PVC COATED" PAY ITEM.



ME-06A TYPICAL PENDANT MOUNTED UNDERPASS LIGHTING INSTALLATION DETAILS
SCALE: 1/2" = 1'-0"



ME-06B TYPICAL LUMINAIRE HANGER ASSEMBLY DETAILS
NOT TO SCALE (NOTE 5)



ME-06

REVISIONS	
NAME	DATE

ILLINOIS DEPARTMENT OF TRANSPORTATION
F.A.I. 90/94 (DAN RYAN EXPRESSWAY)
31st STREET TO I-57

PENDANT MOUNTED UNDERPASS
LUMINAIRE INSTALLATION DETAILS

SCALE: AS SHOWN
DATE: October 29, 2004

DRAWN BY: CJM
CHECKED BY: WDS