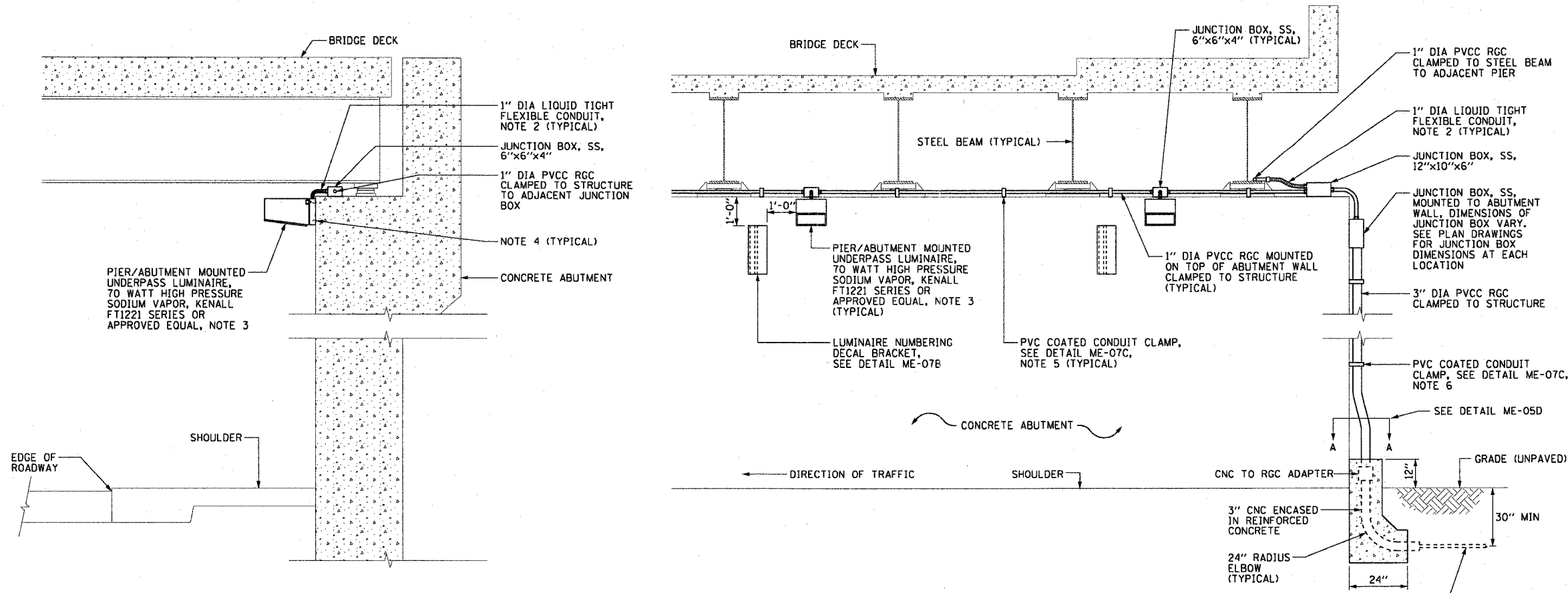


F.A.I. RTE.	SECTION	COUNTY	TOTAL SHEET SHEETS	NO.
90/94	2003-0311	COOK	976	49
STA.	TO STA.			
FED. ROAD DIST. NO. 1 ILLINOIS FED. AID PROJECT				

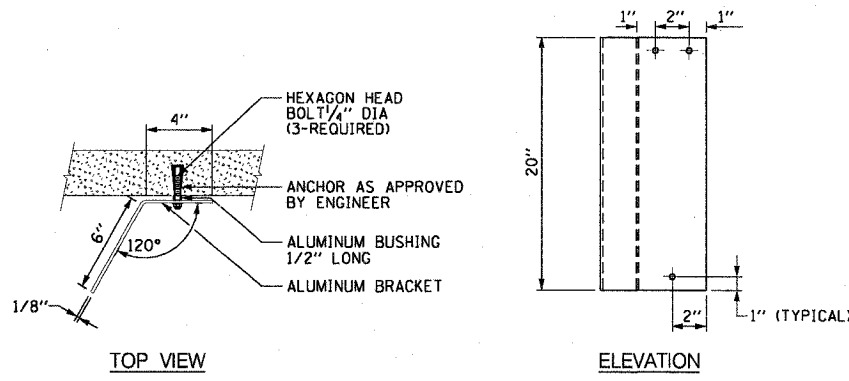
62583

NOTES:

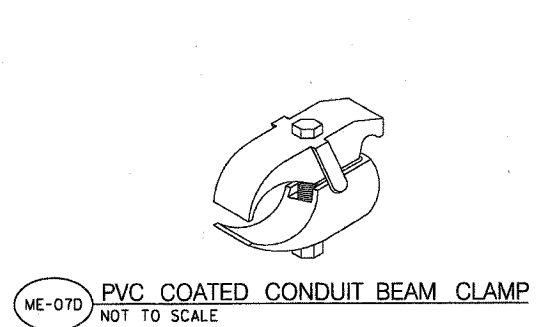
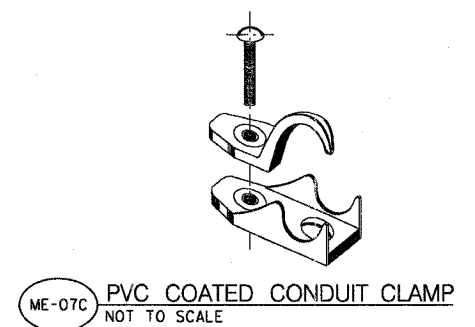
- SEE DRAWINGS ME-01 AND ME-02 FOR ELECTRICAL SYMBOLS AND ABBREVIATIONS.
- 1" DIAMETER LIQUID TIGHT FLEXIBLE METAL CONDUIT, MAXIMUM LENGTH 3'-0", PROVIDE PVC COATED RIGID GALVANIZED STEEL CONDUIT AS REQUIRED. LIQUID TIGHT FLEXIBLE METAL CONDUIT WILL BE INCLUDED WITH THE COST OF THE "CONDUIT ATTACHED TO STRUCTURE, 1" DIA., GALVANIZED STEEL, PVC COATED" PAY ITEM.
- UNDERPASS LUMINAIRE MOUNTED TO FACE OF PIER OR ABUTMENT WALL. MOUNTING HEIGHT OF 1" BELOW THE TOP OF PIER OR ABUTMENT WALL TYPICAL FOR ALL PIER/ABUTMENT MOUNTED UNDERPASS LUMINAIRES. REFER TO UNDERPASS LIGHTING PLANS FOR UNDERPASS LUMINAIRE LOCATIONS AND SPACING.
- EXPANSION ANCHOR, POWDER ACTUATED FASTENERS WILL NOT BE ALLOWED. EXPANSION ANCHOR MUST BE SIZED IN ACCORDANCE WITH MANUFACTURERS REQUIREMENTS.
- SECURE THE CONDUIT WITH PVC COATED CONDUIT CLAMPS OR CONDUIT BEAM CLAMPS AS SHOWN AT 5'-0" INTERVALS FOR LATERALS AND WITHIN 2'-0" MAXIMUM FROM ANY JUNCTION BOX, FLEXIBLE CONDUIT, OR CHANGE IN DIRECTION. ALL PVC COATED CONDUIT CLAMPS OR BEAM CLAMPS WILL BE INCLUDED WITH THE COST OF THE "CONDUIT ATTACHED TO STRUCTURE, 1" DIA., GALVANIZED STEEL, PVC COATED" PAY ITEM.
- SECURE THE CONDUIT WITH PVC COATED CONDUIT CLAMPS AT 5'-0" INTERVALS FOR LATERALS AND WITHIN 2'-0" MAXIMUM FROM ANY JUNCTION BOX OR CHANGE IN DIRECTION. ALL PVC COATED CONDUIT CLAMPS WILL BE INCLUDED WITH THE COST OF THE "CONDUIT ATTACHED TO STRUCTURE, 3" DIA., GALVANIZED STEEL, PVC COATED" PAY ITEM.



ME-07A TYPICAL PIER/ABUTMENT MOUNTED UNDERPASS LIGHTING INSTALLATION DETAILS
SCALE: 1/2" = 1'-0"



ME-07B LUMINAIRE NUMBERING DECAL BRACKET
NOT TO SCALE



ME-07

REVISIONS	
NAME	DATE

ILLINOIS DEPARTMENT OF TRANSPORTATION
F.A.I. 90/94 (DAN RYAN EXPRESSWAY)
31st STREET TO I-57

PIER/ABUTMENT MOUNTED UNDERPASS LUMINAIRE INSTALLATION DETAILS

SCALE: AS SHOWN DRAWN BY: CJM
DATE: October 29, 2004 CHECKED BY: WDS

10/14/2004 10:58:07 AM