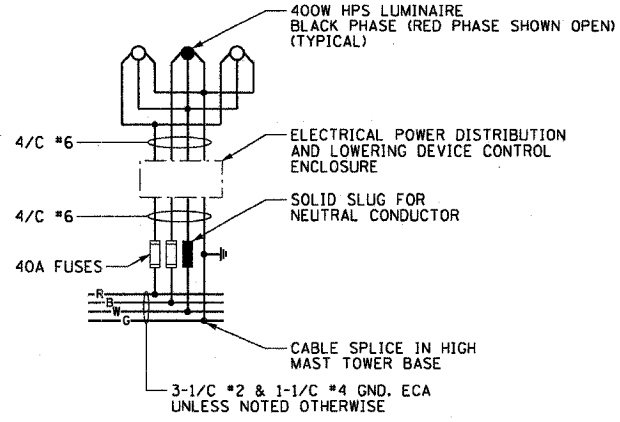


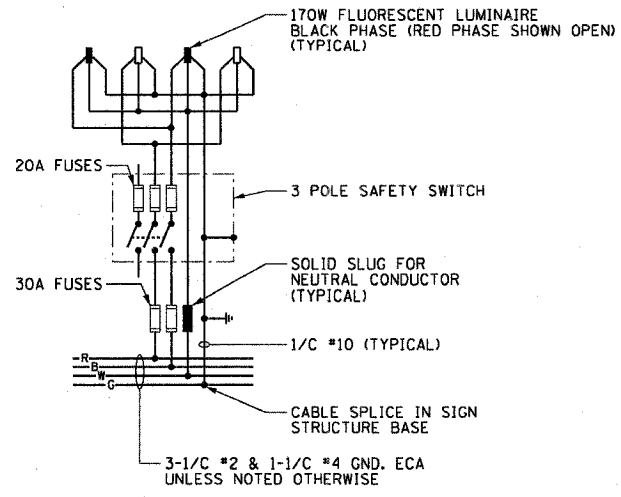
F.A.I. R.F.E.	SECTION	COUNTY	TOTAL SHEETS	SHEET NO.
90/94	2003-0311	COOK	976	52
STA.	TO STA.			
FED. ROAD DIST. NO. 1		ILLINOIS	FED. AID PROJECT	

62583

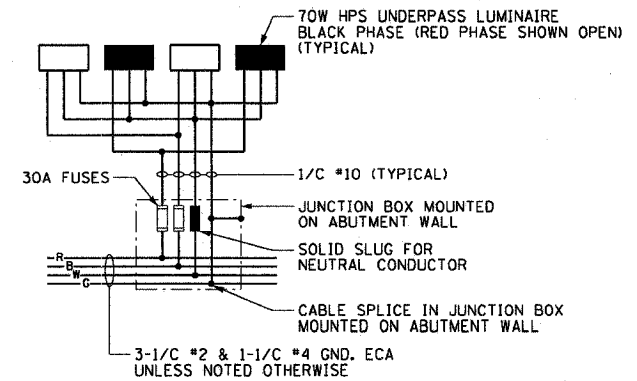
NOTES:
 1. SEE DRAWING ME-01 AND ME-02 FOR ELECTRICAL SYMBOLS AND ABBREVIATIONS.



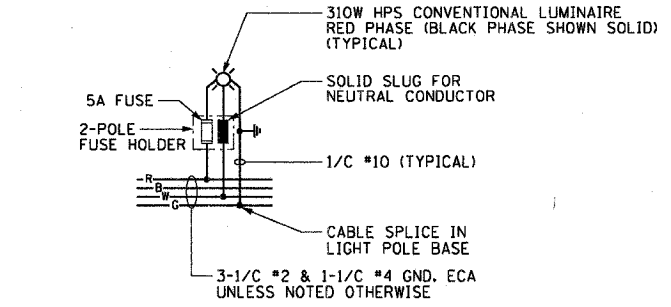
TYPICAL HIGH MAST LIGHT TOWER WIRING DIAGRAM
 ME-12A NOT TO SCALE



TYPICAL LIGHTED SIGN STRUCTURE WIRING DIAGRAM
 ME-12B NOT TO SCALE



TYPICAL UNDERPASS LIGHTING UNIT WIRING DIAGRAM
 ME-12C NOT TO SCALE



TYPICAL CONVENTIONAL LIGHTING UNIT WIRING DIAGRAM
 ME-12D NOT TO SCALE

ME-12



REVISIONS	
NAME	DATE

ILLINOIS DEPARTMENT OF TRANSPORTATION
 F.A.I. 90/94 (DAN RYAN EXPRESSWAY)
 31st STREET TO I-57
 LUMINAIRE WIRING DIAGRAM DETAILS

SCALE: NOT TO SCALE
 DATE: October 29, 2004
 DRAWN BY: CJM
 CHECKED BY: WDS

ms-p10168\elec\6-ctrl\20\sign\contract_2\me020122.dwg