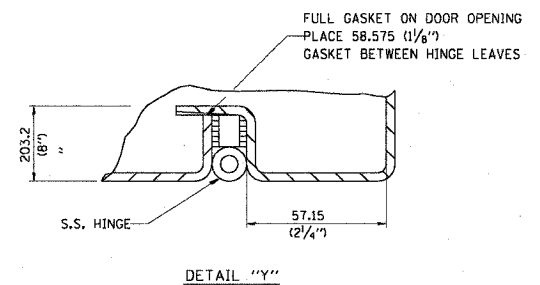
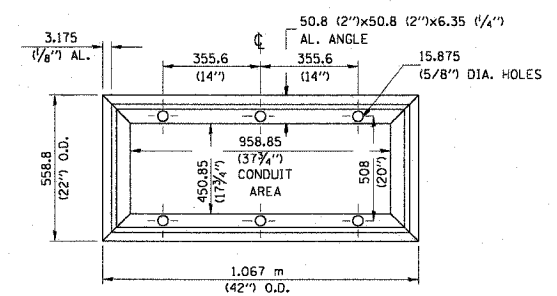


F.A.I. RTE.	SECTION	COUNTY	TOTAL SHEETS	SHEET NO.
90/94	2003-0311	COOK	976	63
STA.		TO STA.		
FED. ROAD DIST. NO. 1		ILLINOIS FED. AID PROJECT		

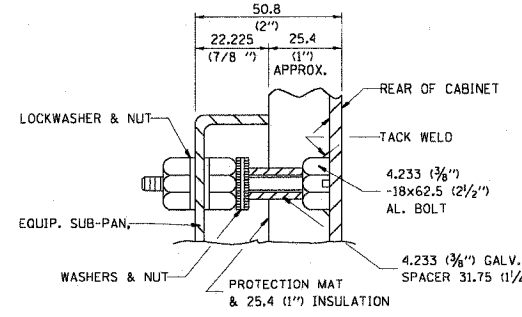
62583



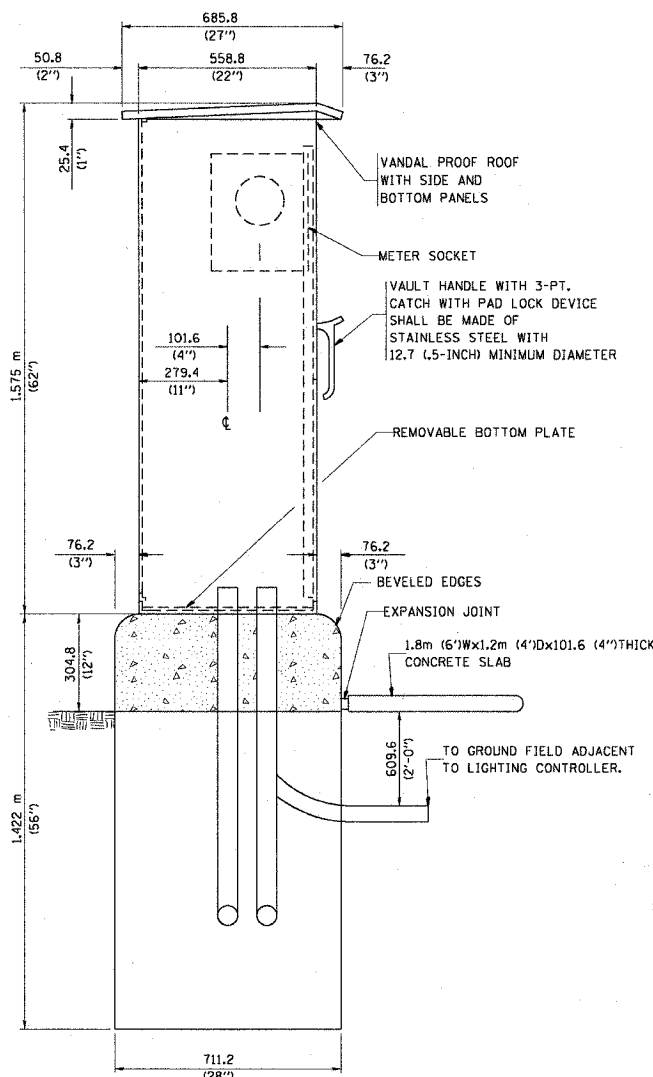
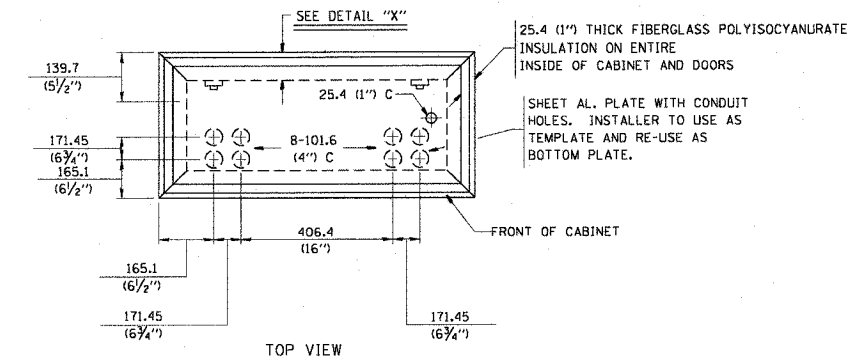
DETAIL "Y"



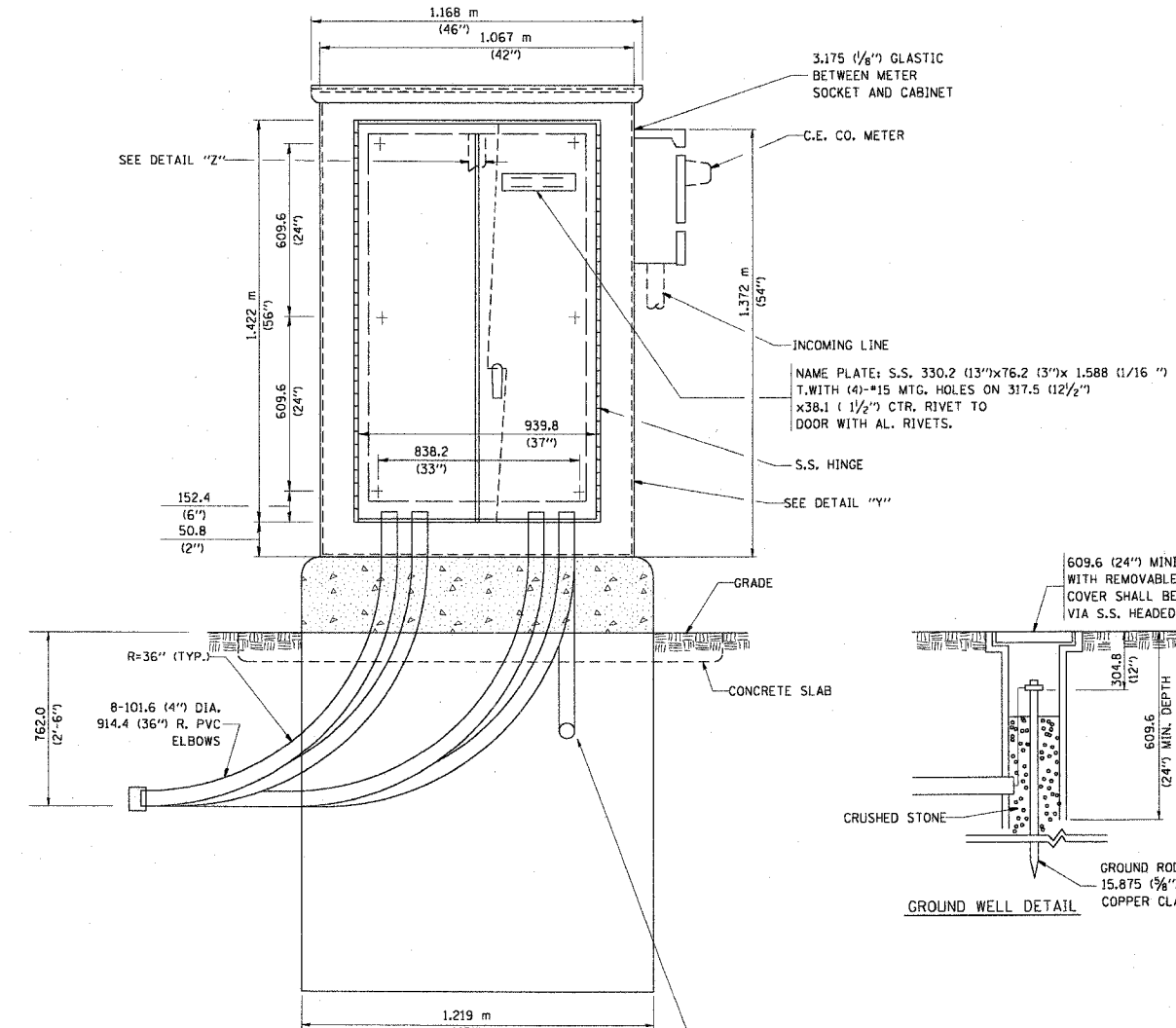
BASE MTG. DETAIL



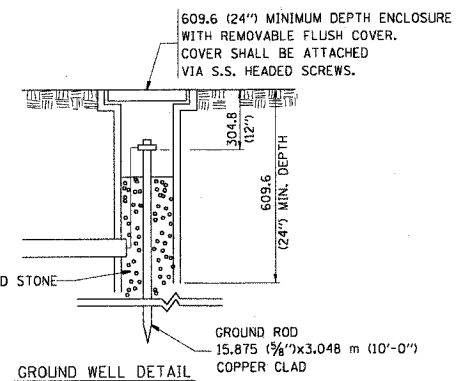
DETAIL "X"



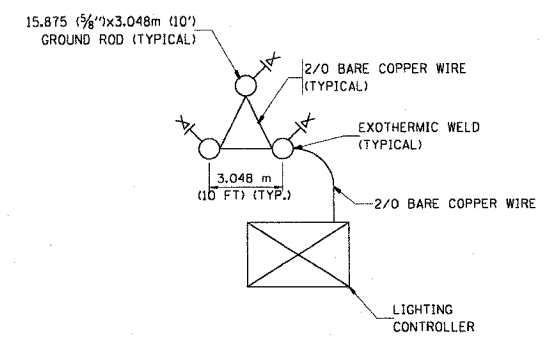
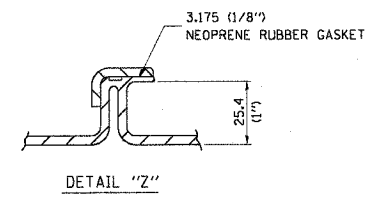
LEFT SIDE ELEVATION



FRONT ELEVATION



25.4 (1-INCH) R.S.C. TO GROUND FIELD OF 3 GROUND RODS IN A 3.048 m (10 FT). TRIANGLE CONNECTED VIA BARE COPPER WIRE. VERIFY EXACT LOCATION OF GROUND FIELD WITH THE ENGINEER. NO GROUND WELL SHALL BE PLACED IN CONCRETE PAD IN FRONT OF CONTROLLER.



THE CONTRACTOR SHALL VERIFY EXACT LOCATION WITH THE ENGINEER

CTE ENGINEERS
 CONSOER TOWNSEND ENVIRONMENTAL ENGINEERS, INC.
 303 EAST WACKER DRIVE, SUITE 600
 CHICAGO, ILLINOIS 60601-5202, PHONE: (312) 938-0300

REVISIONS	
NAME	DATE

ILLINOIS DEPARTMENT OF TRANSPORTATION
 F.A.I. 90/94 (DAN RYAN EXPRESSWAY)
 31st STREET TO I-57
 IDOT LIGHTING CONTROLLER,
 RADIO CONTROL DUPLEX TYPE
 WITH SCADA, SHT 3 OF 4

SCALE: NOT TO SCALE
 DATE: October 29, 2004

DRAWN BY: CJM
 CHECKED BY: WDS

ME-20

10/14/2004 10:58:22 AM