

F.A.I. RTE.	SECTION	COUNTY	TOTAL SHEETS	SHEET NO.
94/90	2003-0311	COOK	976	92-1
STA.		TO STA.		
FED. ROAD DIST. NO.	ILLINOIS	FED. AID PROJECT		

62583

LEGEND:

- HIGH MAST LIGHT TOWER
- 400W. HPS LUMINAIRE (BLACK PHASE- SOLID SYMBOLS, RED PHASE-OPEN SYMBOL)
- 7VCD1 HIGH MAST TOWER DESIGNATION
- LIGHTING CONTROLLER
- GROUND FIELD
- ELECTRIC UTILITY SERVICE
- UNIT DUCT, 3-1/C #2 WITH 1/C #4 GROUND, 1/4"
- LIGHTED SIGN STRUCTURE WITH 170 W. FLUORESCENT LUMINAIRE. QUANTITY OF LUMINAIRE AS REQUIRED. (BLACK PHASE- SOLID SYMBOLS, RED PHASE, OPEN SYMBOL)
- 3 POLE SAFETY SWITCH
- UNDERPASS LIGHTING UNIT, 55W HPS LUMINAIRE. (BLACK PHASE- SOLID SYMBOL, RED PHASE-OPEN SYMBOL)
- UNDERPASS LIGHTING UNIT, 70W HPS LUMINAIRE. (BLACK PHASE- SOLID SYMBOL, RED PHASE-OPEN SYMBOL)
- CONVENTIONAL LIGHTING UNIT, 310 WATT HPS LUMINAIRE.
- CONVENTIONAL LIGHTING UNIT, 2-310 WATT HPS LUMINAIRE.
- AERIAL CABLE, 3\*3/0 WITH MESSENGER CABLE

CIRCUIT	RED PHASE		BLACK PHASE		
	AMPS	WATTS	CIRCUIT	WATTS	
A	17.90	3590	B	17.10	3420
C	18.80	3890	D	18.80	3890
E	29.30	5830	F	27.30	5430
G	12.90	2680	H	12.90	2680
I	16.60	3440	J	16.60	3440
K	3.15	495	L	3.15	495
M	12.45	2535	N	12.45	2535
O	14.05	2875	P	14.15	2905
TOTAL	125.15A	25,335	TOTAL	122.45A	24,795

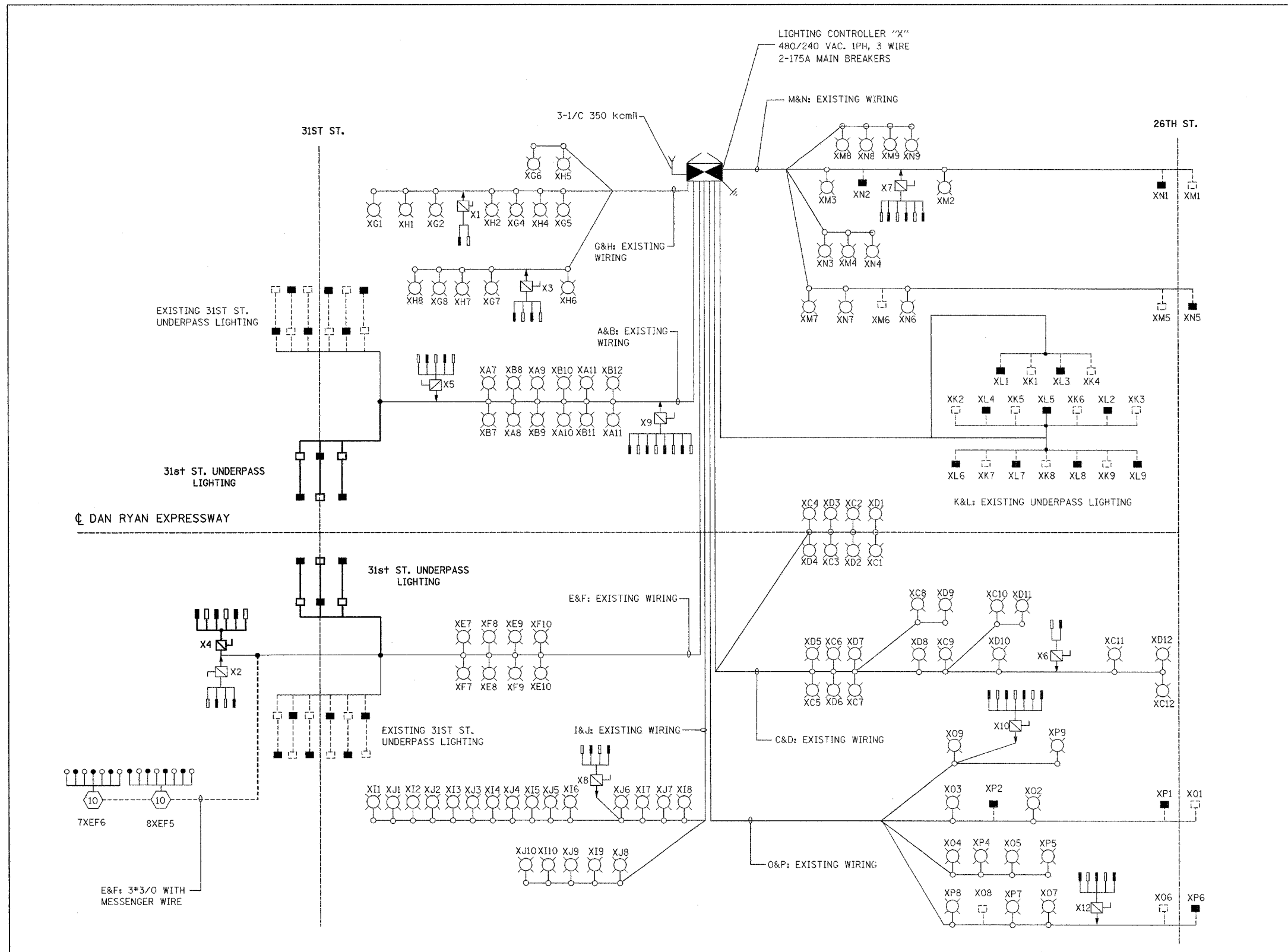
SL06-13

REVISIONS	
NAME	DATE

ILLINOIS DEPARTMENT OF TRANSPORTATION  
F.A.I. 94/90 (DAN RYAN EXPRESSWAY)  
31st STREET TO I-57

SINGLE LINE DIAGRAM  
LIGHTING CONTROLLER "X"  
PROPOSED IMPROVEMENTS 2006

SCALE: NONE  
DATE: OCTOBER 29, 2004  
DRAWN BY: BL  
CHECKED BY: SM



**K&E** KAM ENGINEERING, INC.  
CONSULTING ENGINEERS  
707A Davis Road, Suite 205  
Elgin, Illinois 60123-1369

10/26/2004 12:07:53 PM G:\projects\94\90\Lighting\SL06-13.dwg