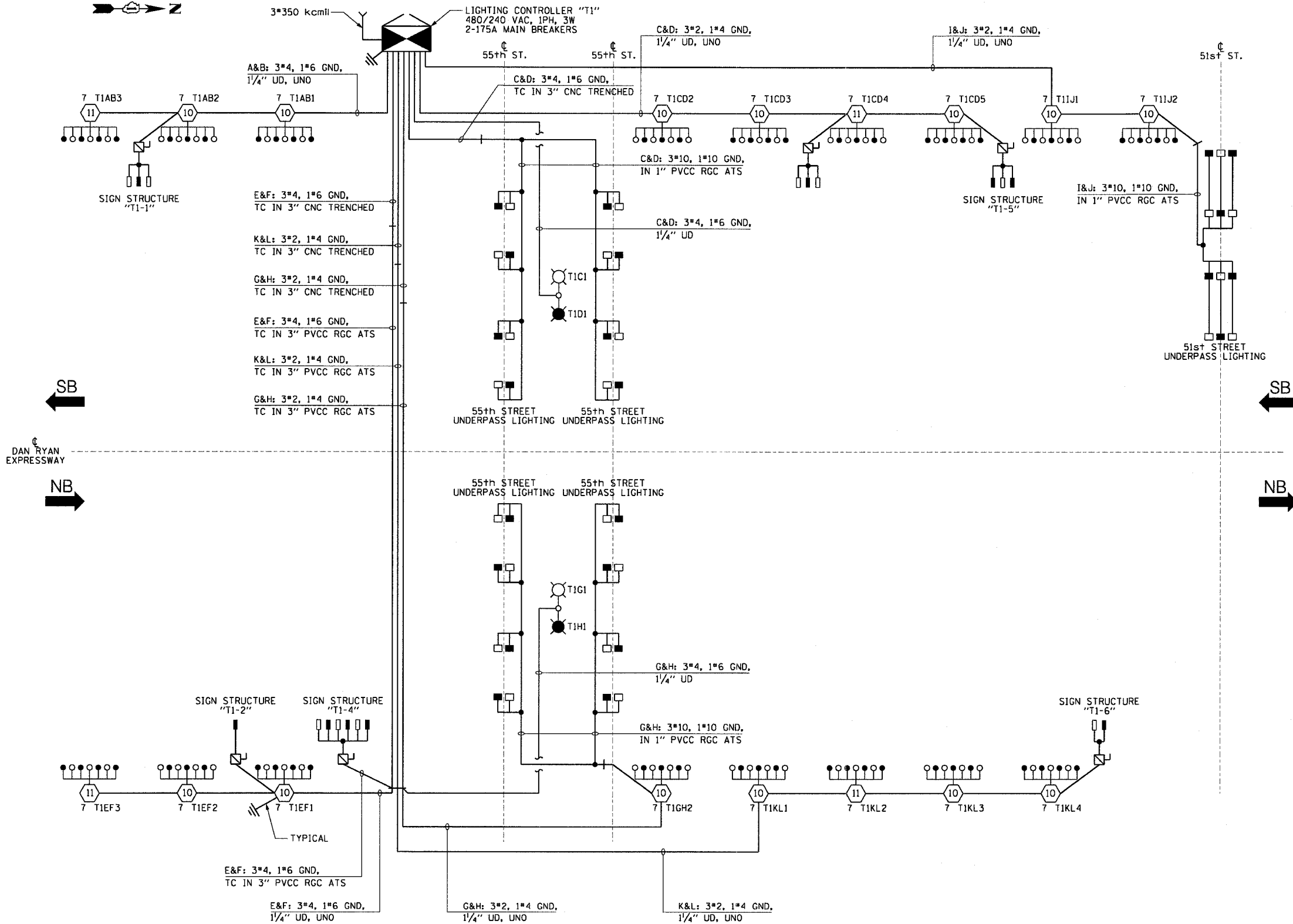


F.A.I. RTE.	SECTION	COUNTY	TOTAL SHEETS	SHEET NO.
90/94	2003-0311	COOK	976	351
STA.	TO STA.		FED. AID PROJECT	
	62583			



- LEGEND**
- HIGH MAST LIGHT TOWER.
 - 400 W. HPS LUMINAIRE (BLACK PHASE-SOLID SYMBOL, RED PHASE-OPEN SYMBOL)
 - HIGH MAST TOWER DESIGNATION.
 - LIGHTED SIGN STRUCTURE WITH 170 W. FLUORESCENT LUMINAIRE, QUANTITY OF LUMINAIRE AS REQUIRED. (BLACK PHASE-SOLID SYMBOL, RED PHASE-OPEN SYMBOL)
 - 3 POLE SAFETY SWITCH
 - UNDERPASS LIGHTING UNIT, 70W HPS LUMINAIRE. (BLACK PHASE- SOLID SYMBOL, RED PHASE-OPEN SYMBOL)
 - LIGHTING CONTROLLER
 - GROUND FIELD
 - ELECTRIC UTILITY SERVICE
 - LUMINAIRE DESIGNATION
 - CONVENTIONAL LIGHTING UNIT, 2-310 WATT HPS LUMINAIRE. (BLACK PHASE-SOLID SYMBOL, RED PHASE-OPEN SYMBOL)
 - RIB4
 - CLOSED CIRCUIT TELEVISION CAMERA

LOAD TABLE
LIGHTING CONTROLLER "T1"

CIRCUIT	RED PHASE		BLACK PHASE		
	AMPS	WATTS	AMPS	WATTS	
A	21.1	5,064	B	22.2	5,328
C	34.2	8,208	D	34.2	8,208
E	21.9	5,256	F	24.7	5,928
G	12.3	2,952	H	10.4	2,496
I	15.9	3,816	J	15.9	3,816
K	28.0	6,720	L	28.0	6,720
M	-	-	N	-	-
O	-	-	P	-	-
TOTAL	133.4	32,016	TOTAL	135.4	32,496

SINGLE LINE DIAGRAM
LIGHTING CONTROLLER "T1"
NOT TO SCALE

CTE ENGINEERS
CONSOER TOWNSEND ENVIRONMENTAL ENGINEERS, INC.
303 EAST WACKER DRIVE, SUITE 600
CHICAGO, ILLINOIS 60601-5202, PHONE: (312) 938-0300

REVISIONS	
NAME	DATE

ILLINOIS DEPARTMENT OF TRANSPORTATION
F.A.I. 90/94 (DAN RYAN EXPRESSWAY)
31st STREET TO I-57

SINGLE LINE DIAGRAM
LIGHTING CONTROLLER "T1"
PROPOSED IMPROVEMENTS

SCALE: NOT TO SCALE DRAWN BY: CJM
DATE: October 29, 2004 CHECKED BY: WDS

MAX-40465/ELECTRIC-CONT-2/25/04/Contract #2003-Final/SLO8092A.08/57