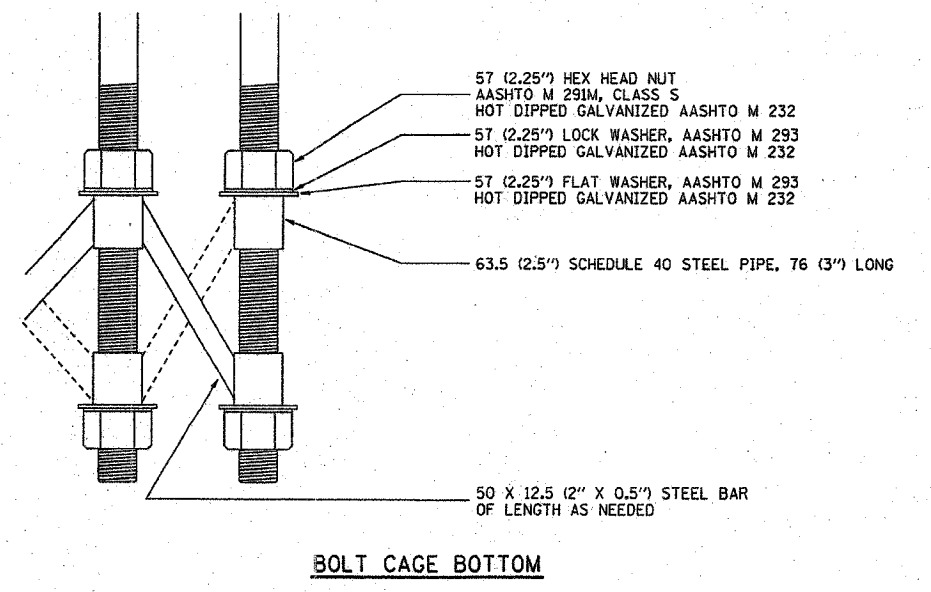
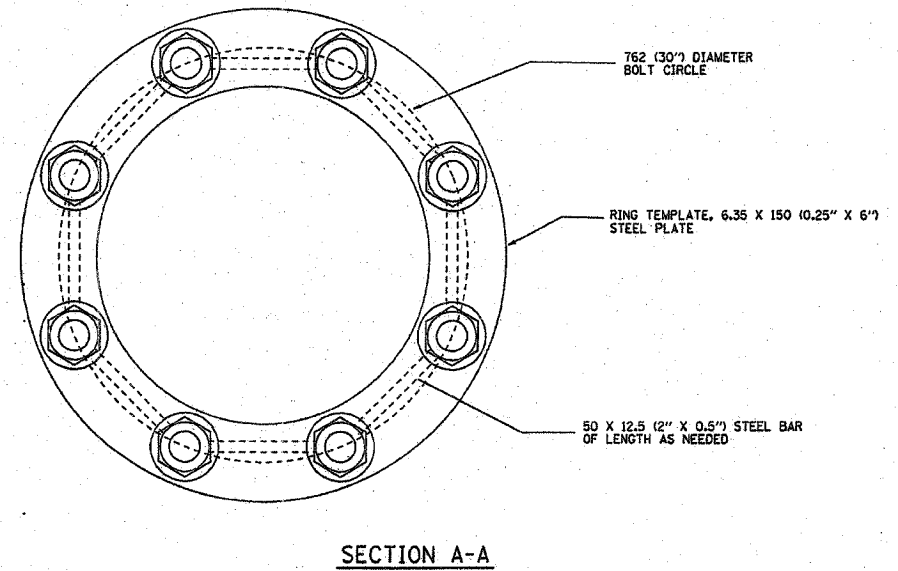
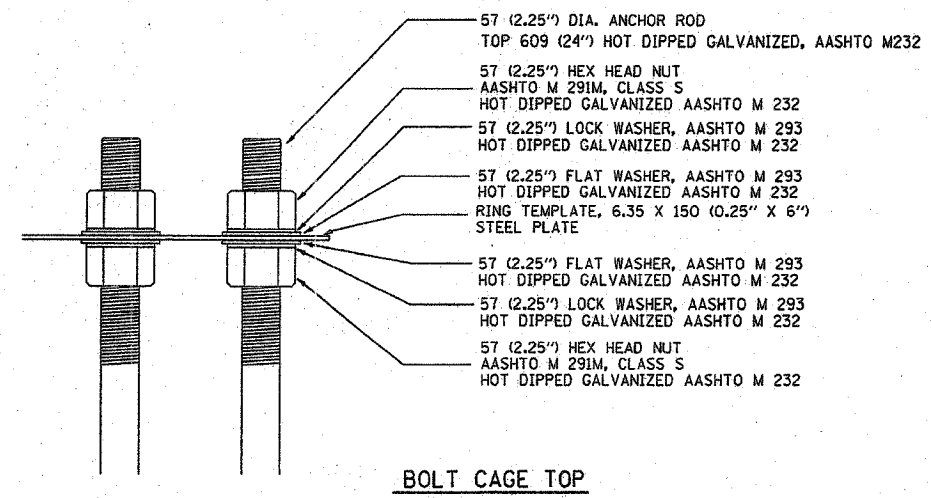
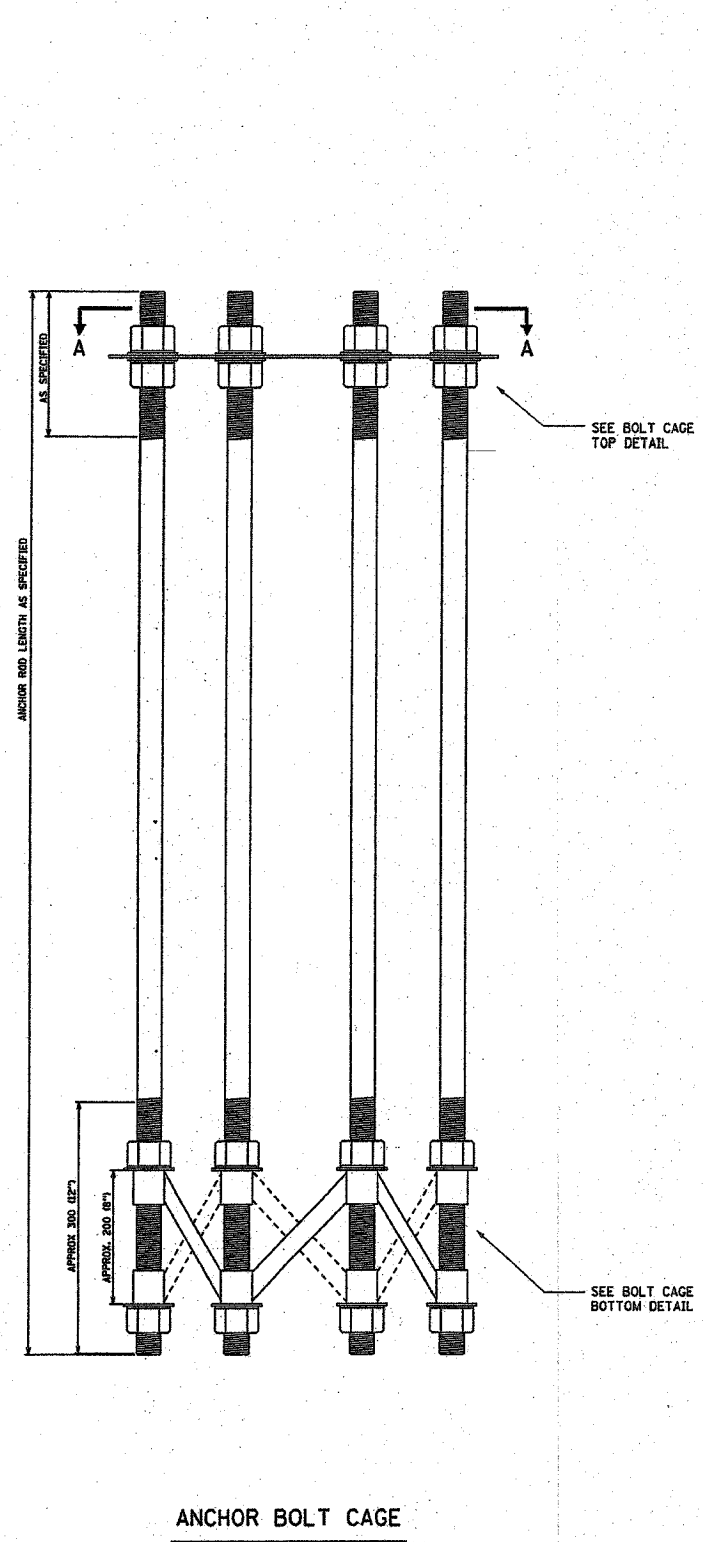


| | | | | |
|-----------------------|-----------|------------------|-------------|-----------|
| P.A. NO. | SECTION | COUNTY | FEEL SHEETS | SHEET NO. |
| 104 | 2003-0313 | COOK | 976 | 404 |
| STA. | TO STA. | | | |
| FED. ROAD DIST. NO. 7 | BLANKET | FED. AID PROJECT | | |
| 62583 | | | | |



- 57 (2.25") DIA. ANCHOR ROD
TOP 609 (24") HOT DIPPED GALVANIZED, AASHTO M232
- 57 (2.25") HEX HEAD NUT
AASHTO M 291M, CLASS S
HOT DIPPED GALVANIZED AASHTO M 232
- 57 (2.25") LOCK WASHER, AASHTO M 232
HOT DIPPED GALVANIZED AASHTO M 232
- 57 (2.25") FLAT WASHER, AASHTO M 293
HOT DIPPED GALVANIZED AASHTO M 232
- RING TEMPLATE, 6.35 X 150 (0.25" X 6")
STEEL PLATE
- 57 (2.25") FLAT WASHER, AASHTO M 293
HOT DIPPED GALVANIZED AASHTO M 232
- 57 (2.25") LOCK WASHER, AASHTO M 293
HOT DIPPED GALVANIZED AASHTO M 232
- 57 (2.25") HEX HEAD NUT
AASHTO M 291M, CLASS S
HOT DIPPED GALVANIZED AASHTO M 232

NOTES

1. ALL DIMENSIONS IN MILLIMETERS (INCHES) UNLESS OTHERWISE SHOWN
2. ANCHOR RODS SHALL BE STRAIGHT AND SHALL BE ACCORDING TO AASHTO M 314 OR ASTM F1554, GRADE 725 (GRADE 105) AND GALVANIZED ACCORDING TO ARTICLE 1006.09.
3. ANCHOR ROD INFORMATION SHALL BE SUBMITTED FOR APPROVAL AND SHALL BE FULLY COORDINATED WITH TOWER MANUFACTURERS REQUIREMENTS.

| REVISIONS | |
|-----------|------|
| NAME | DATE |
| | |
| | |
| | |
| | |
| | |

BE501

ILLINOIS DEPARTMENT OF TRANSPORTATION

HIGH MAST LIGHT TOWER
27m TO 36m (90FT TO 120FT)
FOUNDATION DETAIL

SHEET 2 OF 2

SCALE: NONE DRAWN BY
DATE 3/22/01 CHECKED BY