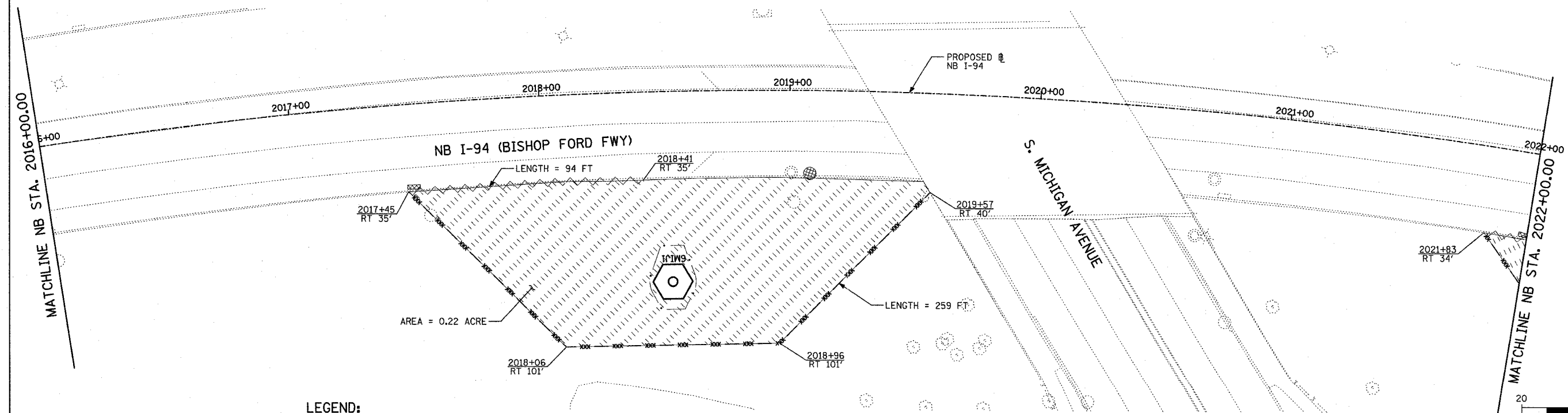
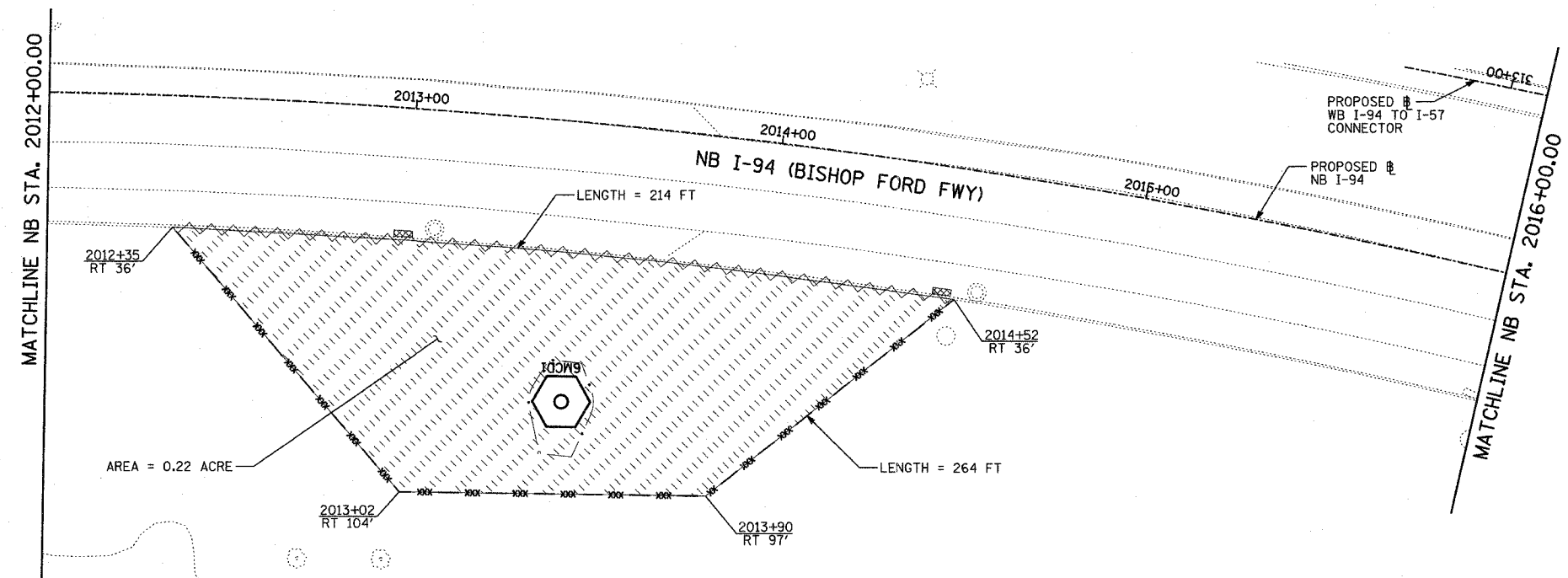


F.A.I. RTE.	SECTION	COUNTY	TOTAL SHEETS	SHEET NO.
90/94	2003-0311	COOK	476	445
STA.		TO STA.		
FED. ROAD DIST. NO.		ILLINOIS	FED. AID PROJECT	
			62583	



- LEGEND:**
- TEMPORARY EROSION CONTROL SEEDING
  - PERIMETER EROSION BARRIER
  - INLET FILTER, TO BE INSTALLED IN OFF PROJECT DRAINAGE STRUCTURES ACCEPTING STORMWATER RUNOFF
  - TEMPORARY FENCE (60' PER TREE)
  - LIMITS OF GRADING
  - TREE REMOVAL (UNIT)  
(NO UNIT SHOWN = <6)

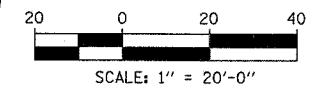
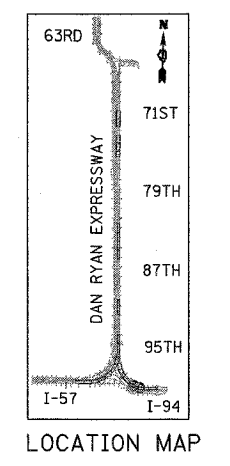
**TYLIN** INTERNATIONAL

REVISIONS	
NAME	DATE

ILLINOIS DEPARTMENT OF TRANSPORTATION  
 F.A.I. 90/94 (DAN RYAN EXPRESSWAY)  
 31st STREET TO I-57  
 EROSION CONTROL PLAN  
 NB-I-94 (BISHOP FORD FWY)  
 NB I-94 STA. 2012+00.00 TO STA. 2022+00.00

SCALE: 1"=20'  
 DATE: OCTOBER 29, 2004

DRAWN BY: RTM, JPA  
 CHECKED BY: JPM, MAG



10/22/2004 09:50:21 AM