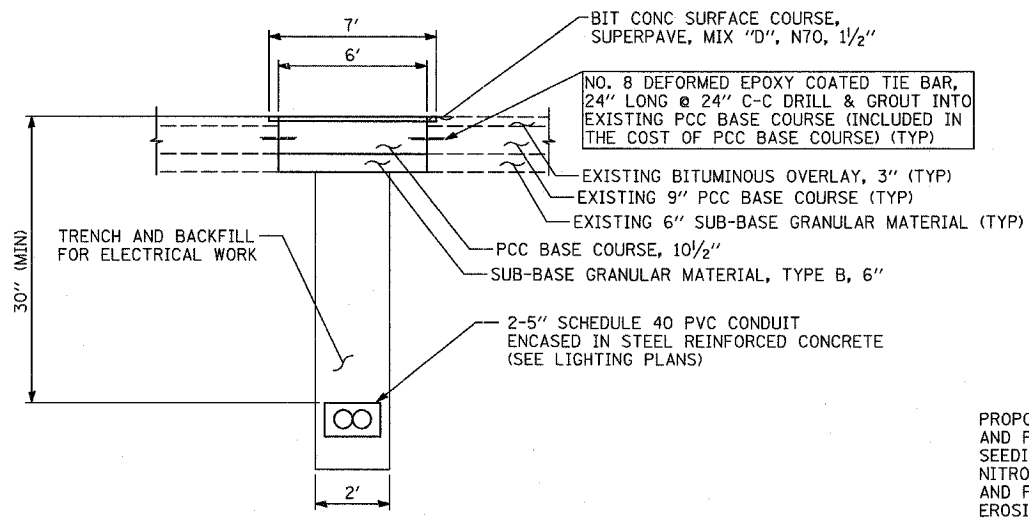
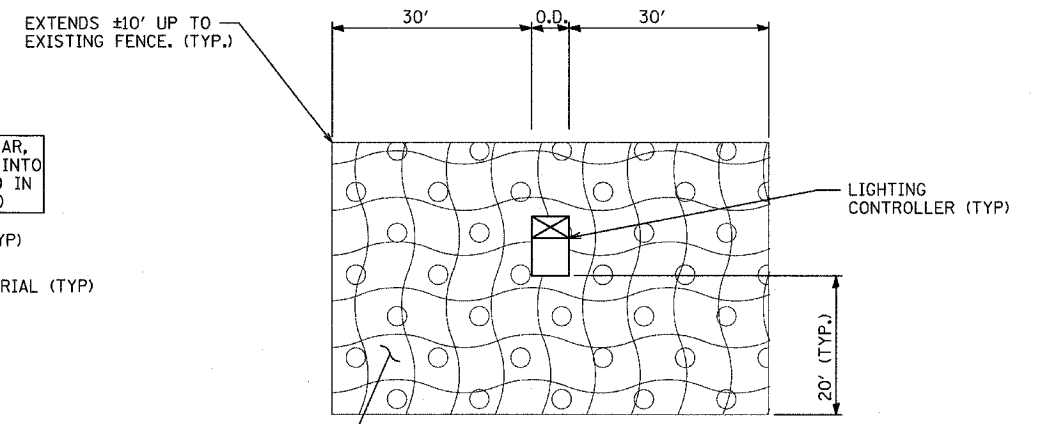


TYPICAL TRENCH RESTORATION



TYPICAL TRENCH RESTORATION IN FRONTAGE ROAD

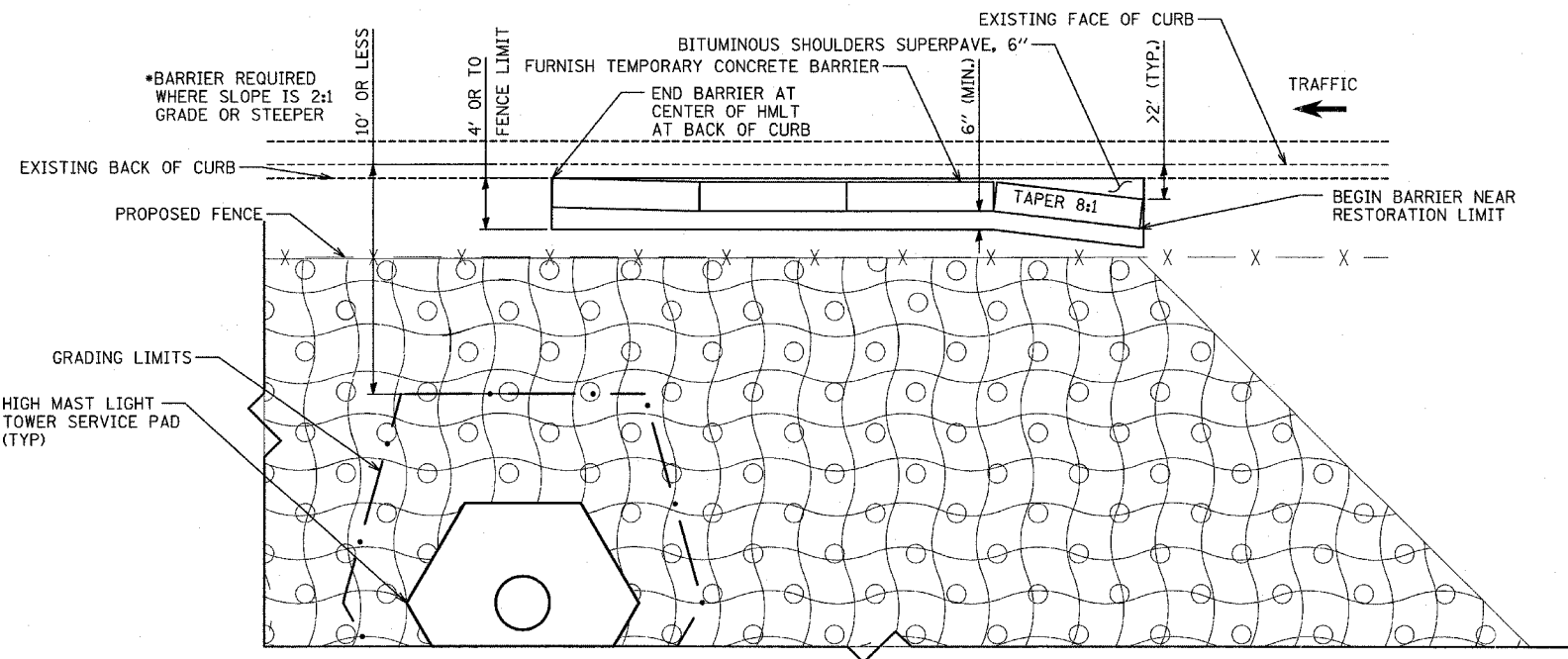


RESTORATION FOR LIGHTING CONTROLLER

NOTES:

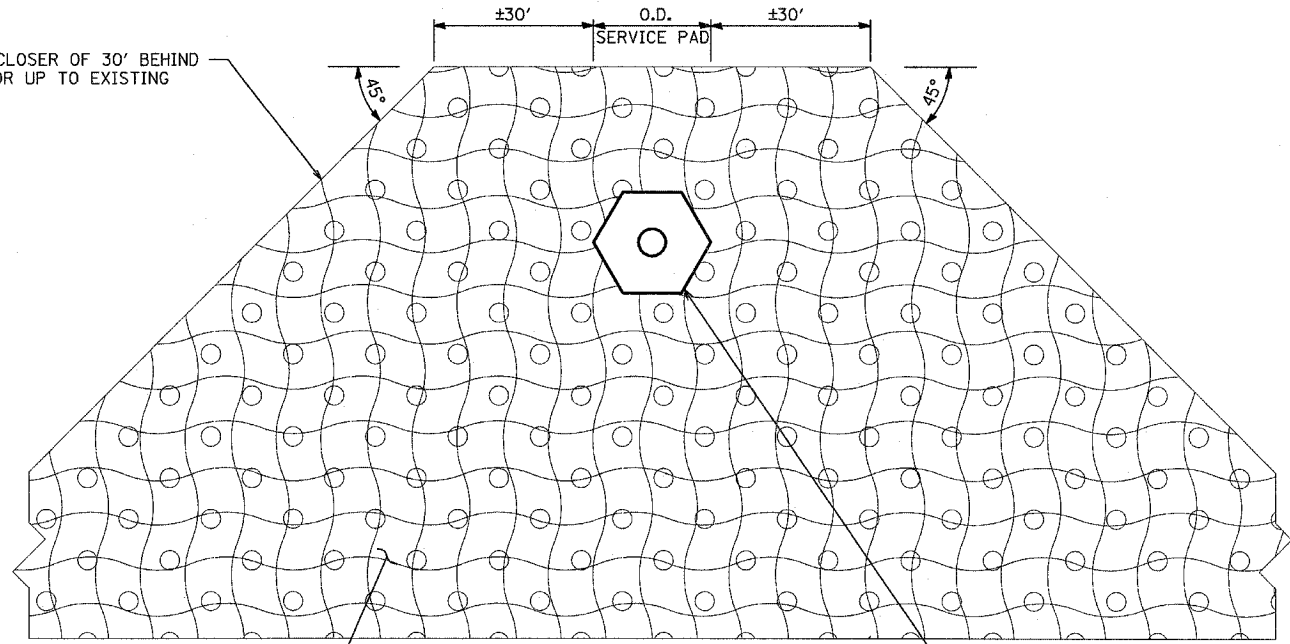
CONTRACTOR WILL NOT BE PAID FOR ANY WORK PERFORMED OUTSIDE OF THE LIMITS SHOWN.

ADDITIONAL QUANTITY FOR TRENCH RESTORATION BETWEEN EROSION CONTROL LIMITS IS INCLUDED IN THE SUMMARY OF QUANTITIES.



FURNISH TEMPORARY CONCRETE BARRIER FOR HIGH MAST LIGHT TOWER SERVICE PAD

EXTENDS THE CLOSER OF 30' BEHIND SERVICE PAD OR UP TO EXISTING FENCE. (TYP.)



RESTORATION FOR HIGH MAST LIGHT TOWER SERVICE PAD

PROPOSED TOPSOIL, FURNISH AND PLACE, 4", SEEDING, CLASS 2A, NITROGEN, PHOSPHORUS, AND POTASSIUM NUTRIENTS, EROSION CONTROL BLANKET.

REVISIONS	
NAME	DATE