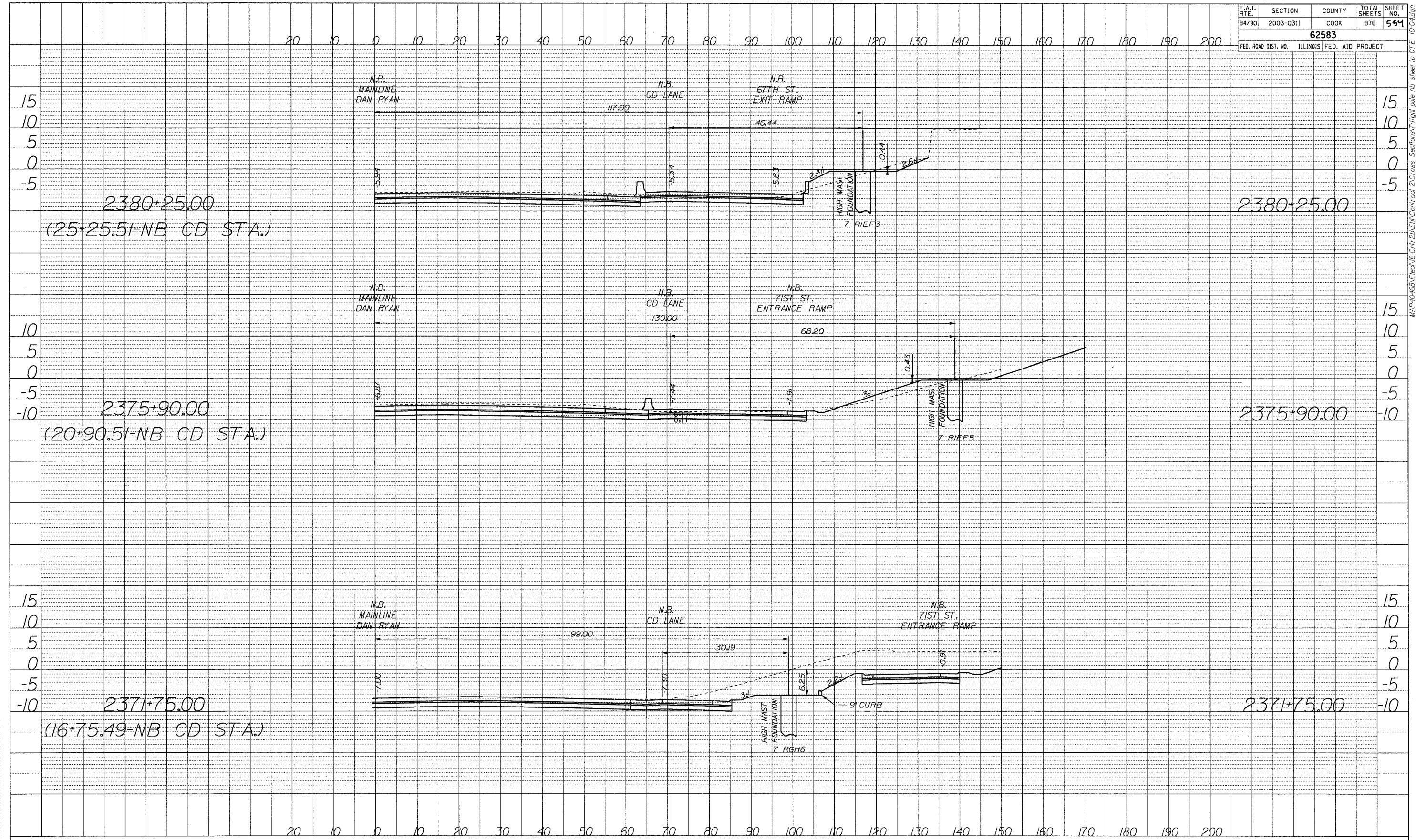
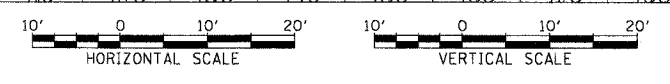


F.A.I. No.	SECTION	COUNTY	TOTAL SHEETS	SHEET NO.
94/90	2003-0311	COOK	976	554
62583				
FED. ROAD DIST. NO.	ILLINOIS	FED. AID PROJECT		



DATE	
BY	
PROFILE	
REVISIONS	
NO.	
DATE	
BY	
REVISIONS	
NO.	
DATE	
BY	
REVISIONS	
NO.	
DATE	
BY	
REVISIONS	
NO.	

**Edwards and Kelcey**  
 ONE NORTH FRANKLIN  
 CHICAGO, IL 60606  
 PHONE: (312) 251-3000  
 FAX: (312) 251-3015  
 WEB: WWW.EKCORP.COM



HIGH MAST LIGHTING

MAP 10465 Clearing-Contract 2/25/04 Contract 2/Cross Sections/Right pole nb sheet to C/E 10-04.dgn