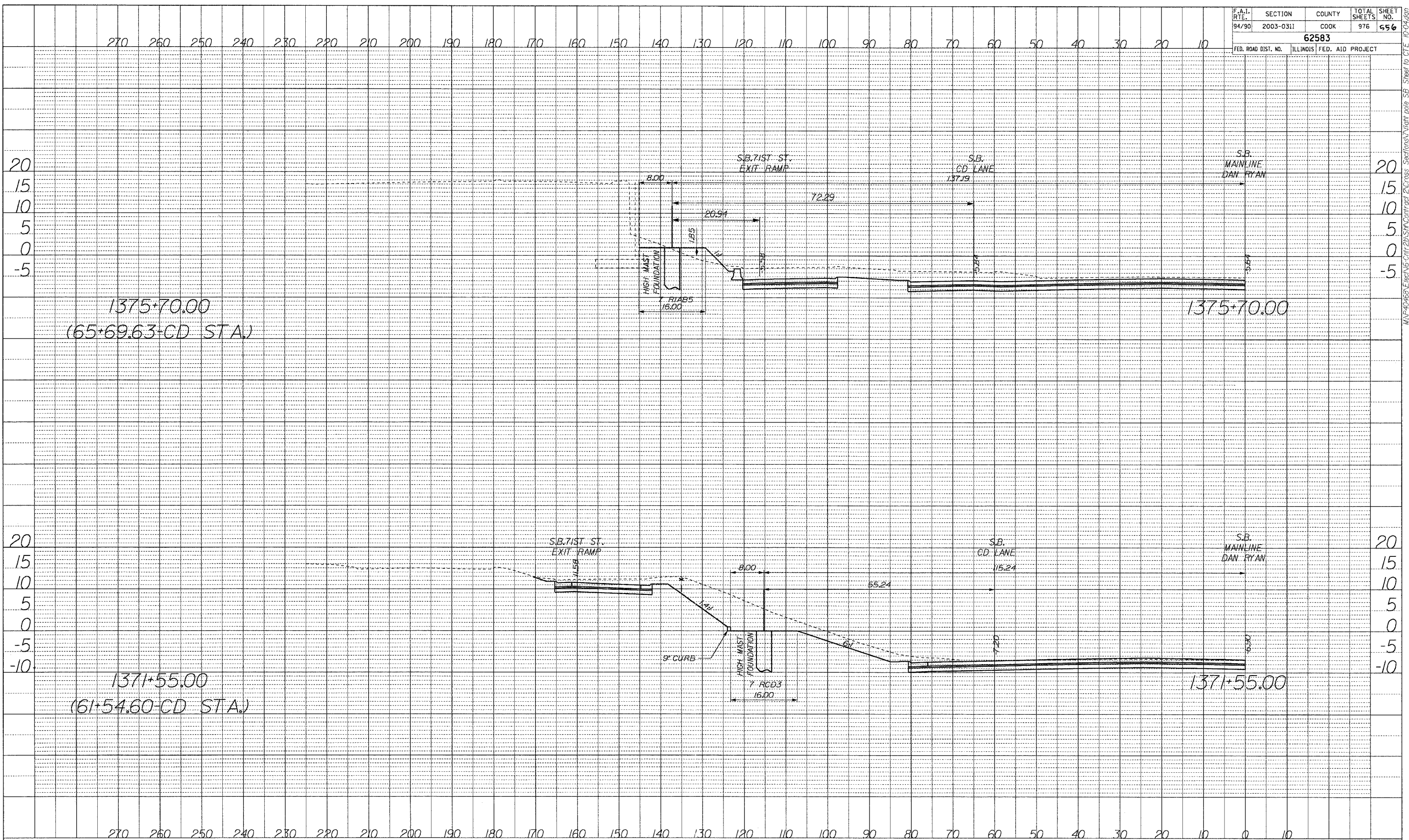


F.A.I. RY. 94/90	SECTION 2003-0311	COUNTY COOK	TOTAL SHEETS 976	SHEET NO. 556
62583				
FED. ROAD DIST. NO.	ILLINOIS	FED. AID PROJECT		



PROFILE	DATE
BY	
NO. 1	
NO. 2	
NO. 3	
NO. 4	
NO. 5	
NO. 6	
NO. 7	
NO. 8	
NO. 9	
NO. 10	

MAP 40168, Elevation Contour 20, Stationing, Right Side, Sheet to CTE 10-04-09