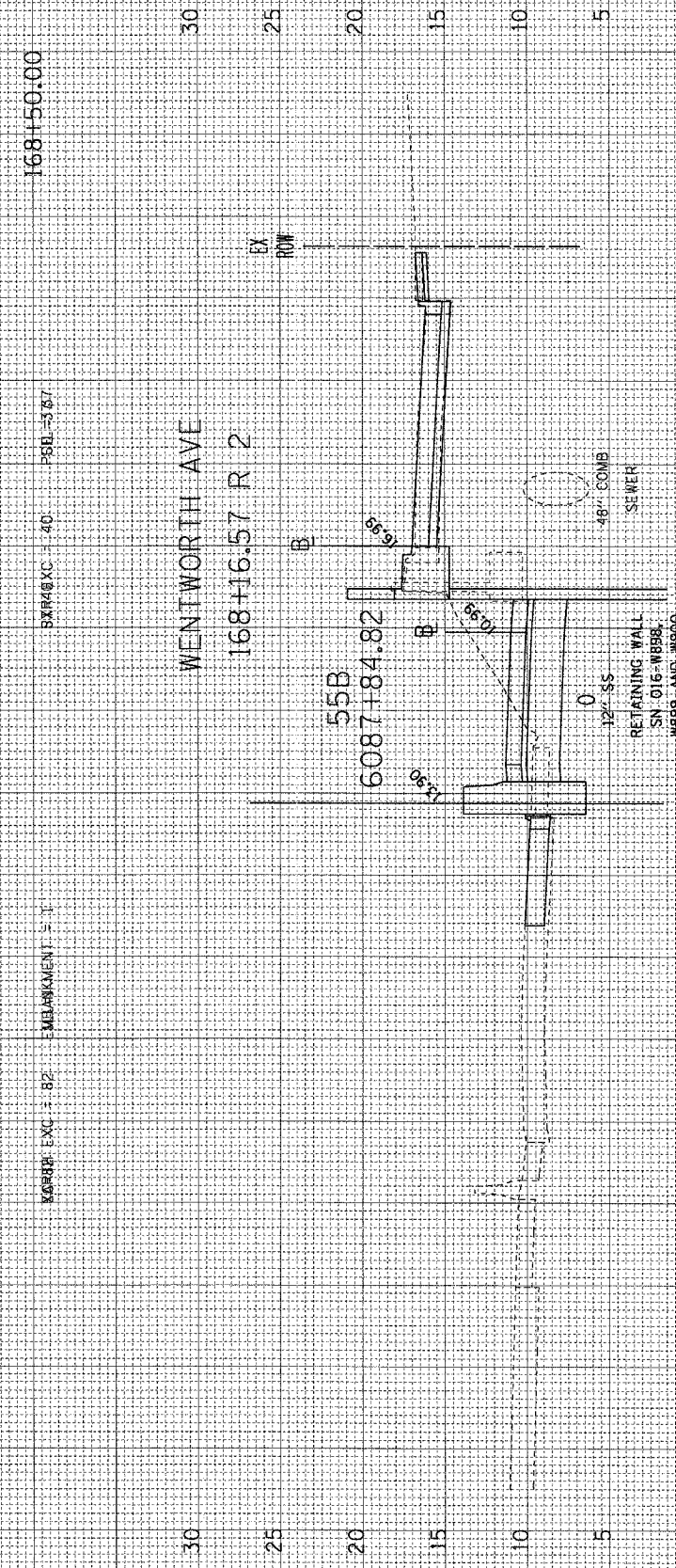
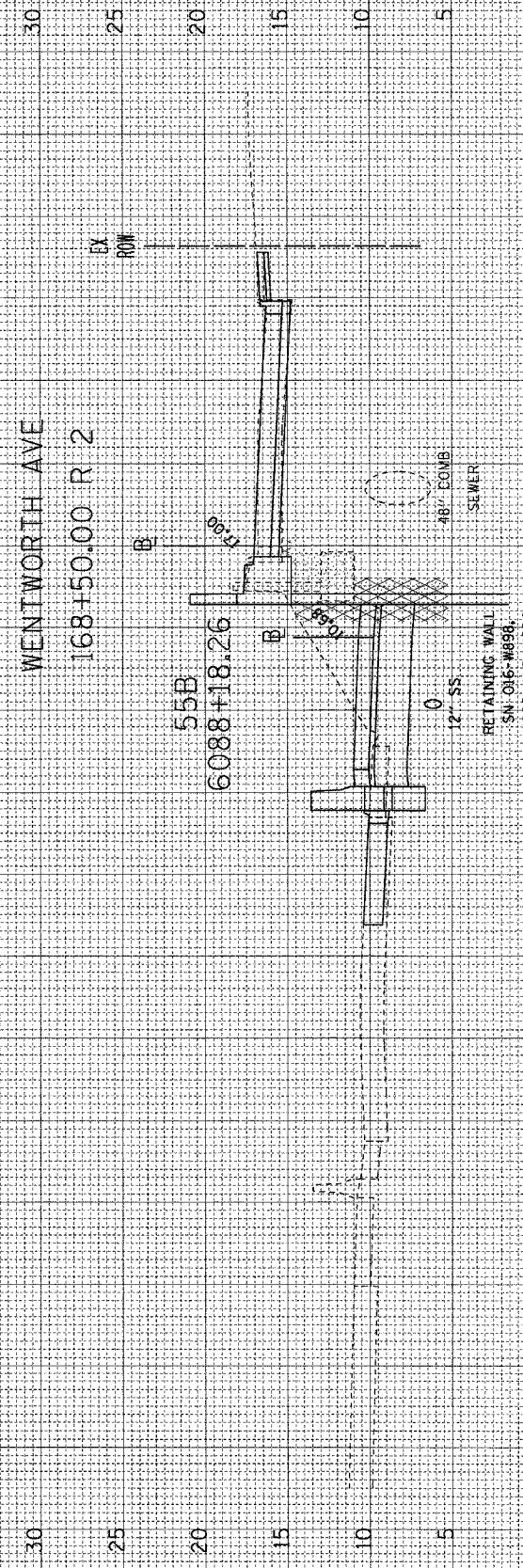


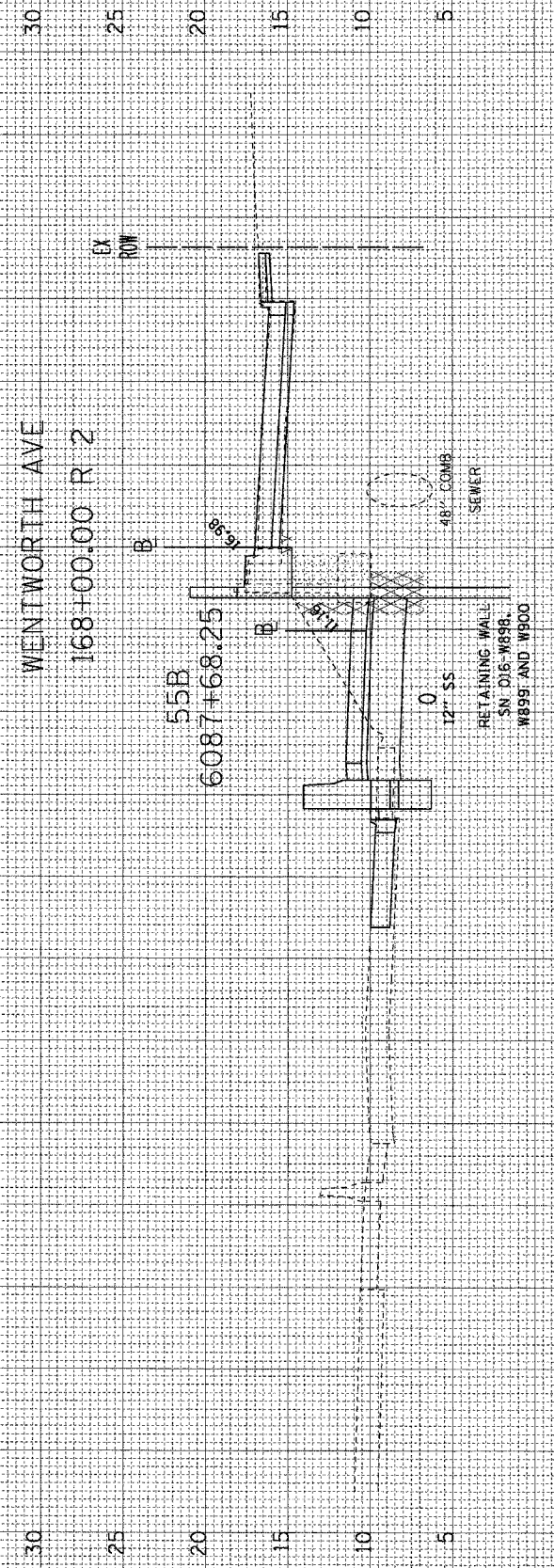
FINAL SURVEYED SURVEY TEMPLATE AREAS CHECKED BY DATE

ORIGINAL SURVEYED SURVEY TEMPLATE AREAS CHECKED BY DATE

F.A.T. SHEET	SECTION	COUNTY	TOTAL SHEETS	SHEET NO.
90/94	2003-0311	COOK	976	571
62583				
FED. ROAD DIST. NO. 1 ILLINOIS FED. AID PROJECT				



HIGH MAST TOWER: 7 T1KL2



KARPER EXC = 82 EMBARKMENT = 1
 KARPER XC = 40 PBL = 30.7

KARPER EXC = 70 EMBARKMENT = 2

KARPER XC = 25 PBL = 30.0