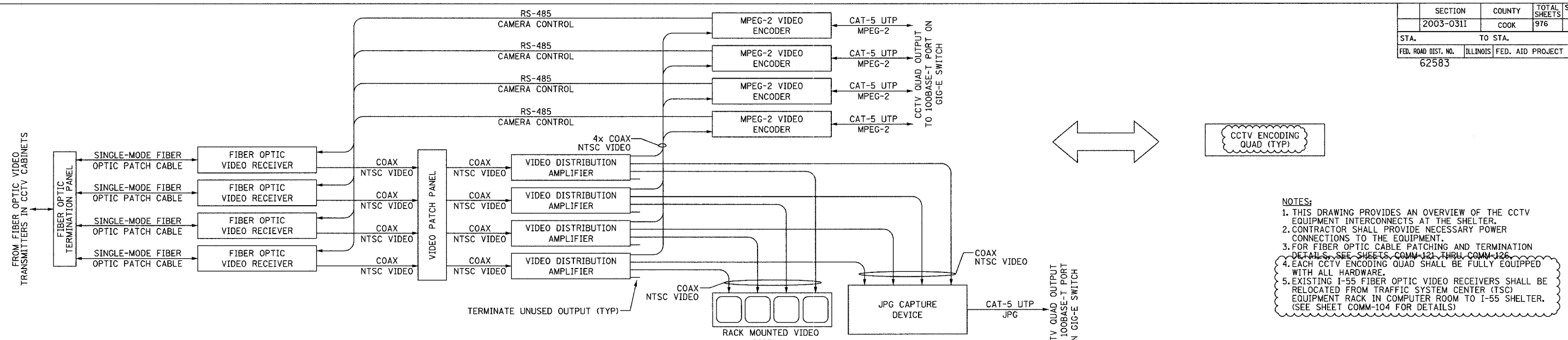
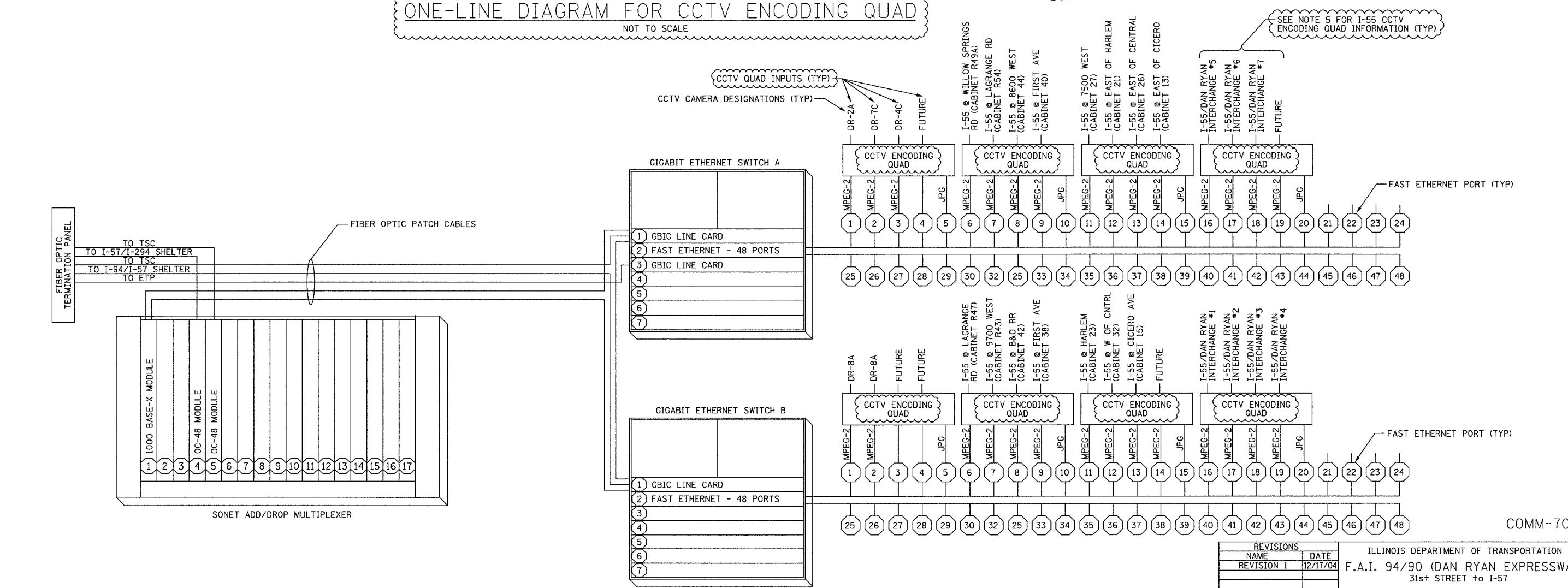


SECTION	COUNTY	TOTAL SHEETS	SHEET NO.
2003-0311	COOK	976	836
STA.	TO STA.		
FED. ROAD DIST. NO.	ILLINOIS	FED. AID PROJECT	
62583			



ONE-LINE DIAGRAM FOR CCTV ENCODING QUAD
NOT TO SCALE

- NOTES:**
1. THIS DRAWING PROVIDES AN OVERVIEW OF THE CCTV EQUIPMENT INTERCONNECTS AT THE SHELTER.
 2. CONTRACTOR SHALL PROVIDE NECESSARY POWER CONNECTIONS TO THE EQUIPMENT.
 3. FOR FIBER OPTIC CABLE PATCHING AND TERMINATION DETAILS, SEE SHEETS COMM-121 THRU COMM-126.
 4. EACH CCTV ENCODING QUAD SHALL BE FULLY EQUIPPED WITH ALL HARDWARE.
 5. EXISTING I-55 FIBER OPTIC VIDEO RECEIVERS SHALL BE RELOCATED FROM TRAFFIC SYSTEM CENTER (TSC) EQUIPMENT RACK IN COMPUTER ROOM TO I-55 SHELTER. (SEE SHEET COMM-104 FOR DETAILS)



EQUIPMENT INTERCONNECT DIAGRAM
NOT TO SCALE

REVISIONS	
NAME	DATE
REVISION 1	12/17/04

ILLINOIS DEPARTMENT OF TRANSPORTATION
F.A.I. 94/90 (DAN RYAN EXPRESSWAY)
31st STREET TO I-57

I-55 SHELTER (R01)
CCTV DISTRIBUTION SUBSYSTEM

SCALE: NOT TO SCALE
DATE: October 29, 2004

DRAWN BY: DHI
CHECKED BY: JEZ

Edwards AND Kelcey
ONE NORTH FRANKLIN
CHICAGO, IL 60606
PHONE: (312) 251-3000
FAX: (312) 251-3015
WEB: WWW.EKCORP.COM

A:\0300190335\Vis\ood\020232a.rvt 12/15/2004 01:49:16 PM