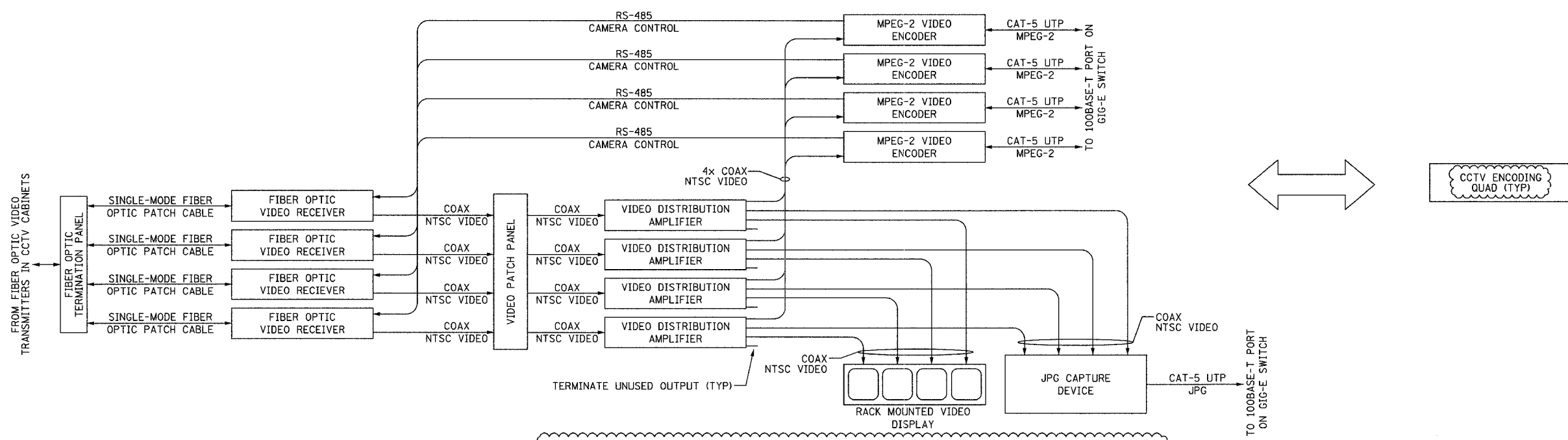
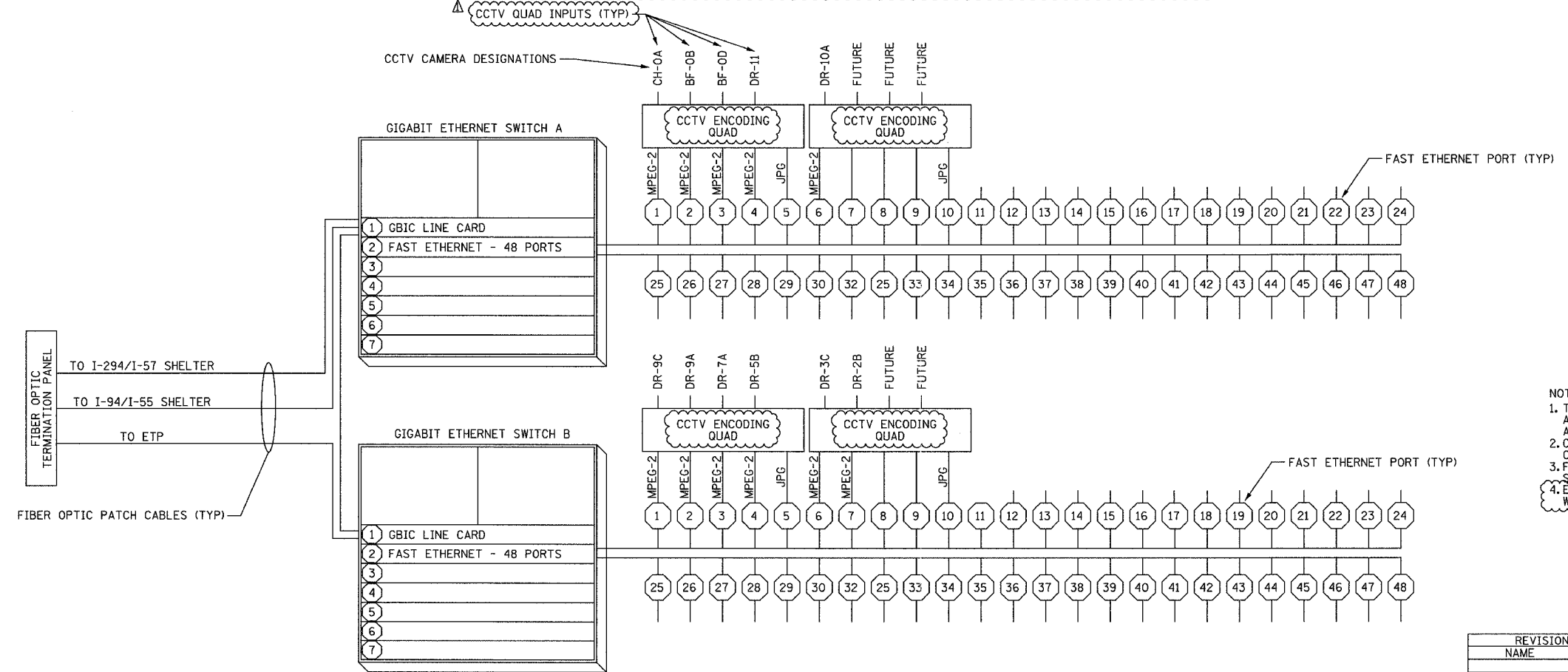


SECTION	COUNTY	TOTAL SHEETS	SHEET NO.
2003-0311	COOK	976	837
STA.	TO STA.		
FED. ROAD DIST. NO.	ILLINOIS FED. AID PROJECT		
62583			

P:\03000\030311\035\15\000\01020222.sht



ONE-LINE DIAGRAM FOR CCTV ENCODING QUAD
 NOT TO SCALE



- NOTES:
1. THIS DRAWING IS FOR REFERENCE ONLY AND PROVIDES AN OVERVIEW OF THE CCTV EQUIPMENT INTERCONNECTS AT THE SHELTER.
 2. CONTRACTOR SHALL PROVIDE NECESSARY POWER CONNECTIONS TO THE EQUIPMENT.
 3. FOR FIBER OPTIC CABLE PATCH AND TERMINATION DETAILS, SEE SHEETS COMM-110 THRU COMM-113.
 4. EACH CCTV ENCODING QUAD SHALL BE FULLY EQUIPPED WITH ALL HARDWARE.

COMM-71

Edwards AND Kelcey
 ONE NORTH FRANKLIN CHICAGO, IL 60606
 PHONE: (312) 251-3000
 FAX: (312) 251-3015
 WEB: WWW.EKCORP.COM

EQUIPMENT INTERCONNECT DIAGRAM
 NOT TO SCALE

REVISIONS	DATE
NAME	

ILLINOIS DEPARTMENT OF TRANSPORTATION
 F.A.I. 94/90 (DAN RYAN EXPRESSWAY)
 31st STREET to I-57

I-57 SHELTER (R04)
 CCTV DISTRIBUTION SUBSYSTEM

SCALE: NOT TO SCALE
 DATE: October 29, 2004

DRAWN BY: DHI
 CHECKED BY: JEZ

12/15/2004 01:45:16 PM