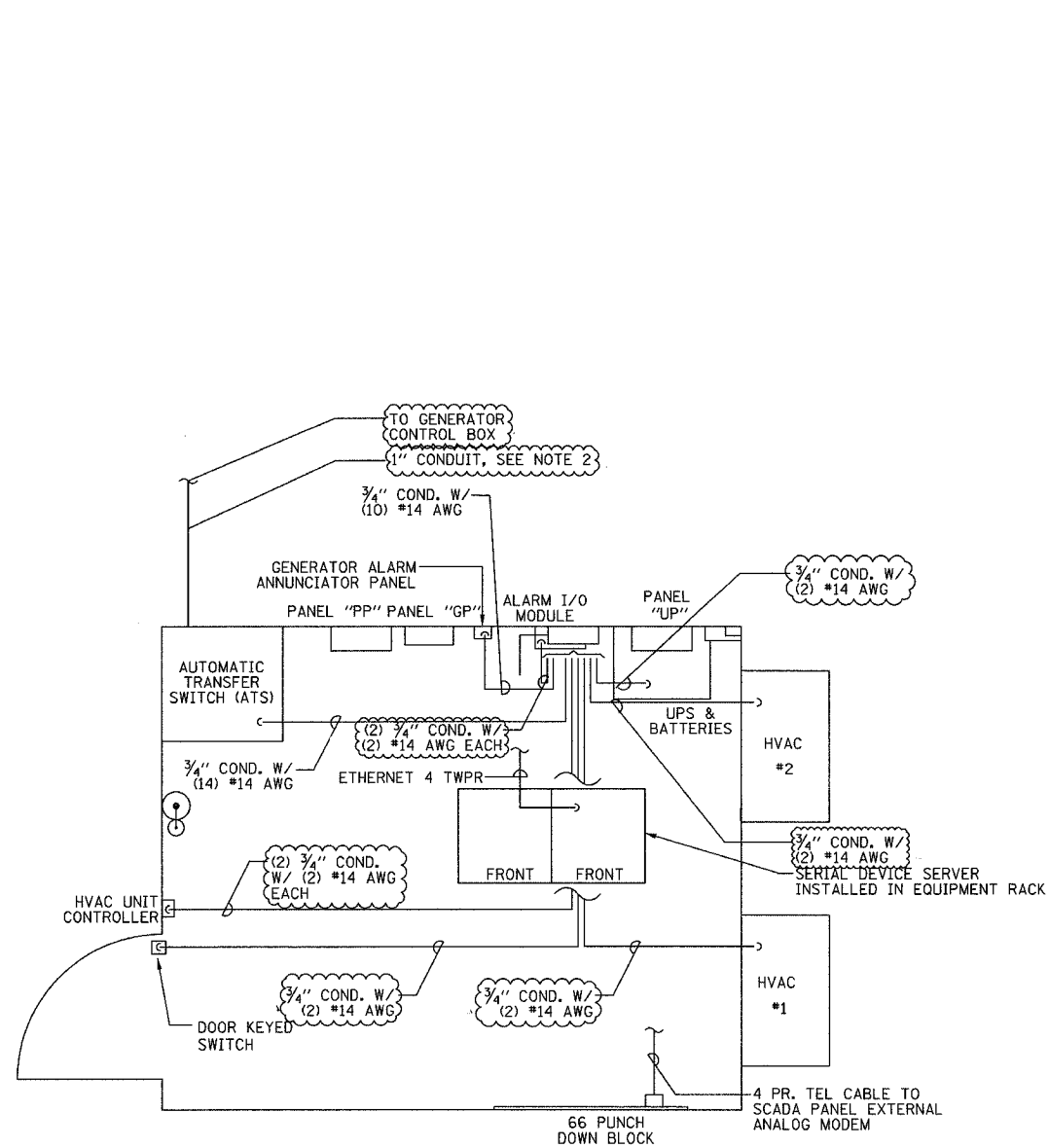
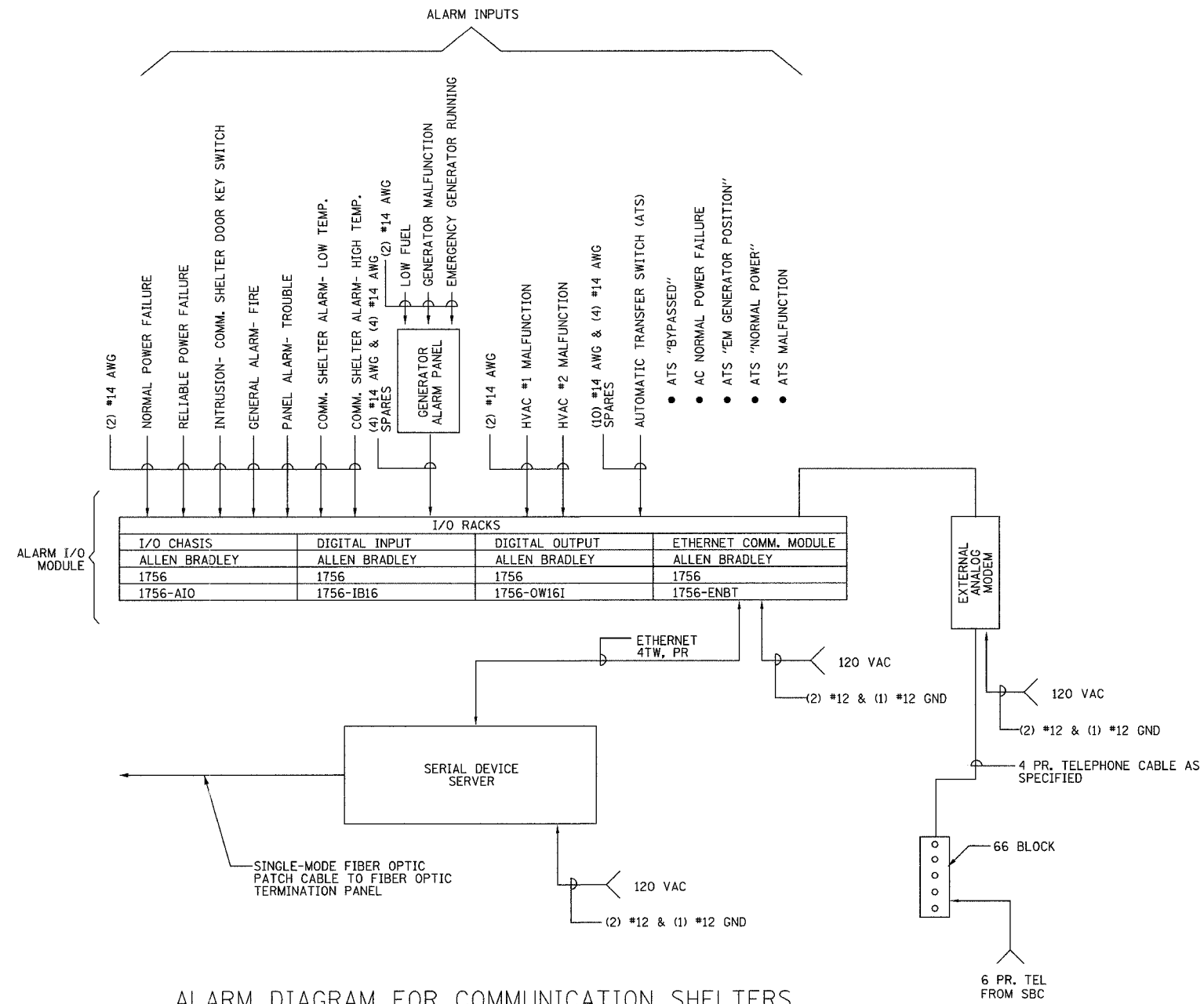


P:\0300\94\90\94-90-0311\94-90-0311-849.dwg



ALARM WIRING LAYOUT
NOT TO SCALE

- NOTES:
1. ALL ALARM WIRE INSULATION SHALL BE THWN UNLESS NOTED OTHERWISE.
 2. QUANTITY OF ALARM & CONTROL WIRE SIZE PER MANUFACTURER'S RECOMMENDATION



ALARM DIAGRAM FOR COMMUNICATION SHELTERS
NOT TO SCALE

REVISIONS	
NAME	DATE
REVISION 1	12/17/04

12/15/2004 01:50:49 PM