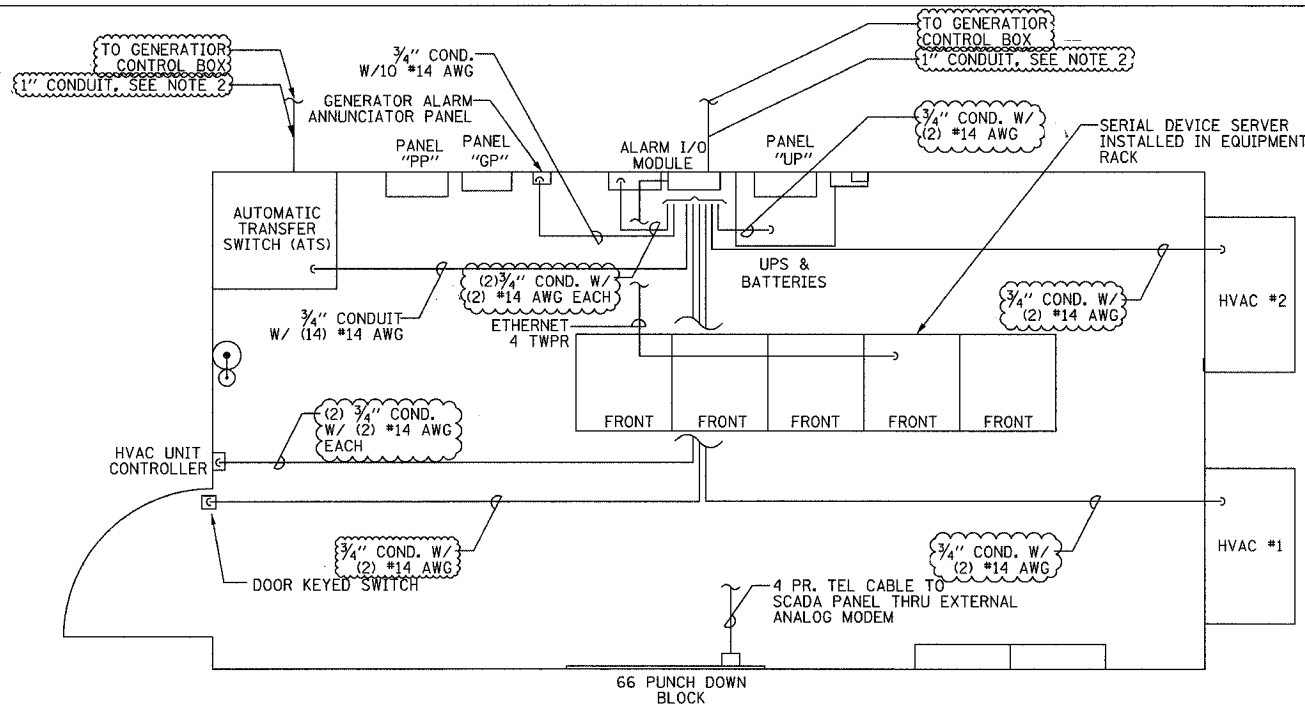
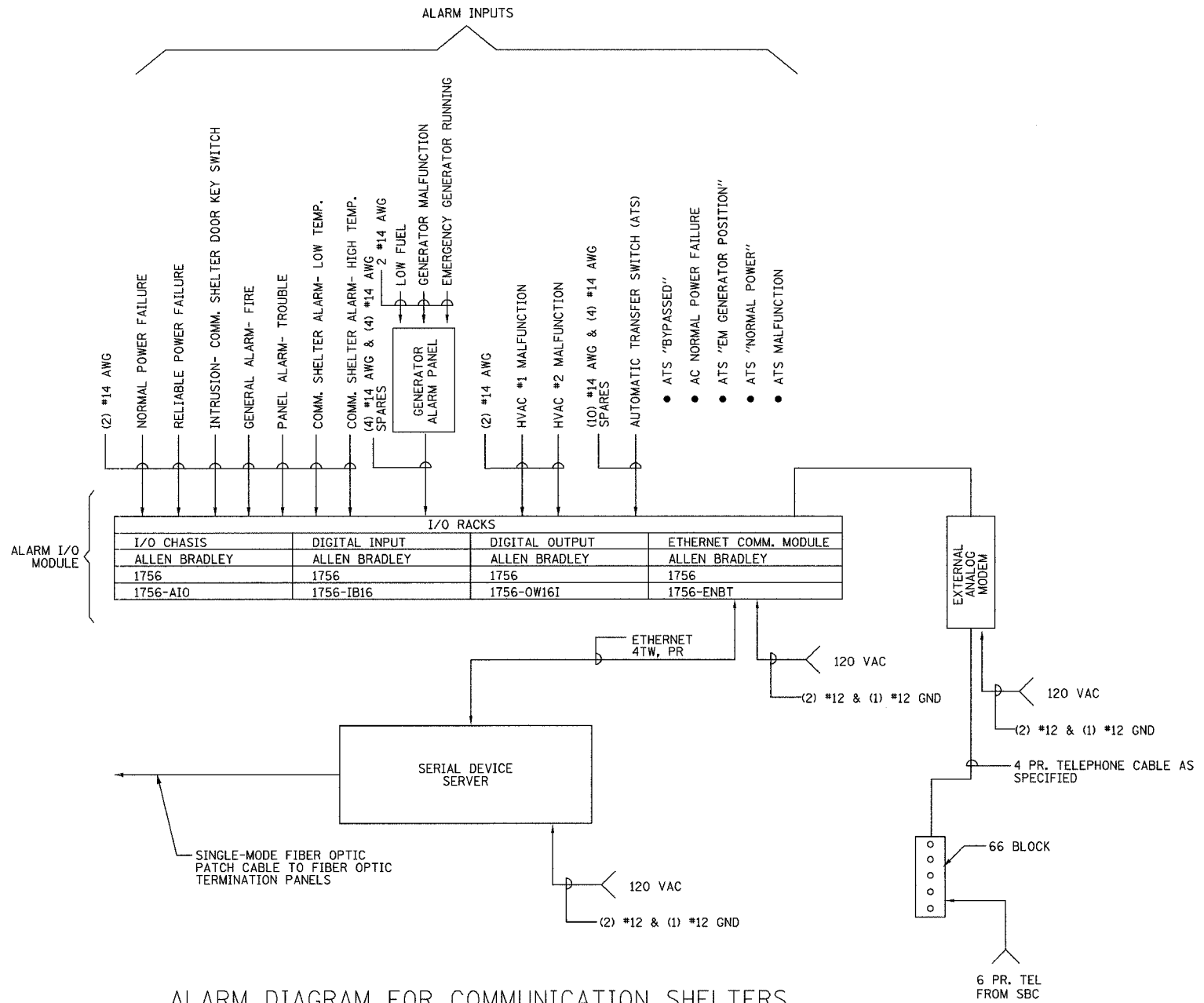


F.A.I. RTE.	SECTION	COUNTY	TOTAL SHEETS	SHEET NO.
94/90	2003-0311	COOK	976	854
STA.	TO STA.			
FED. ROAD DIST. NO.	ILLINOIS	FED. AID PROJECT		
62583				



**ALARM WIRING LAYOUT**  
NOT TO SCALE

- NOTES:
1. ALL ALARM WIRE INSULATION SHALL BE THWN UNLESS NOTED OTHERWISE.
  2. QUANTITY OF ALARM & CONTROL WIRE SIZE PER MANUFACTURER'S RECOMMENDATION.



**ALARM DIAGRAM FOR COMMUNICATION SHELTERS**  
NOT TO SCALE

COMM-88

**Edwards AND Kelcey**  
ONE NORTH FRANKLIN  
CHICAGO, IL 60606  
PHONE: (312) 251-3000  
FAX: (312) 251-3015  
WEB: WWW.EKCORP.COM

REVISIONS	
NAME	DATE
REVISION 1	12/17/04

ILLINOIS DEPARTMENT OF TRANSPORTATION  
F.A.I. 94/90 (DAN RYAN EXPRESSWAY)  
31st STREET to I-57  
I-55 SHELTER (R01)  
ALARM SCHEMATIC  
SCALE: NOT TO SCALE  
DATE: October 29, 2004  
DRAWN BY: JM  
CHECKED BY: CS

P:\03001903\95\96\Comm\2005\2005-03-11