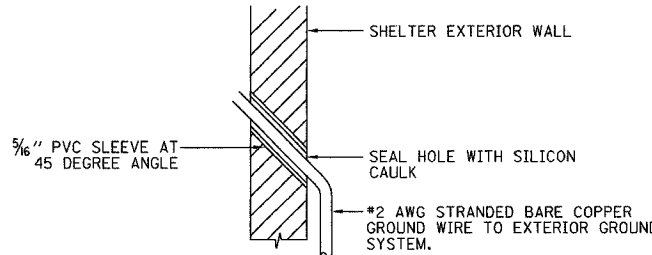
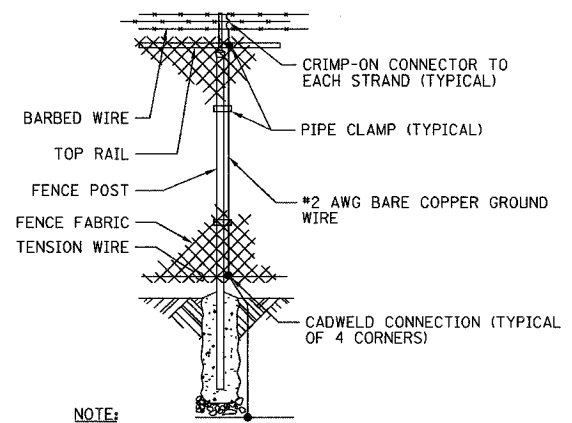


F.A.I. RTE.	SECTION	COUNTY	TOTAL SHEETS	SHEET NO.
94/90	2003-0311	COOK	976	859
STA.		TO STA.		
FED. ROAD DIST. NO. 62583		ILLINOIS FED. AID PROJECT		



WALL GROUND PENETRATION DETAIL
NOT TO SCALE

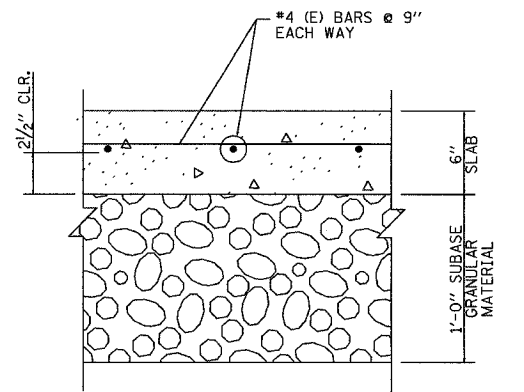


FENCE GROUNDING
NOT TO SCALE

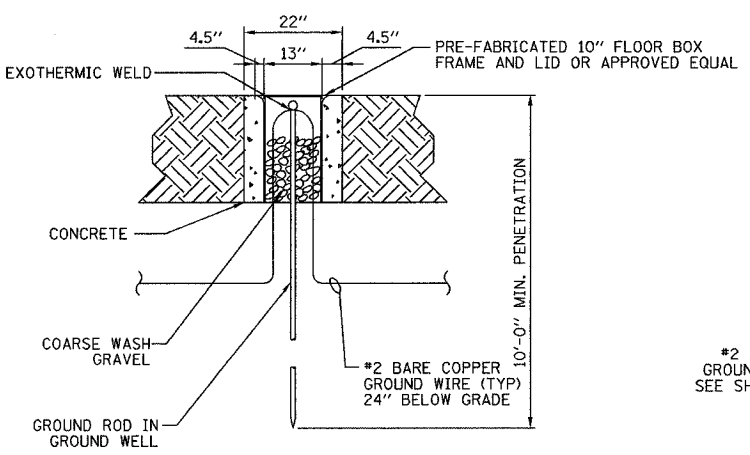
- NOTES:**
1. PROVIDE A COMPLETE AND CONTINUOUS GROUND SYSTEM IN ACCORDANCE WITH THE DRAWINGS AND SPECIFICATIONS.
 2. BOND TO THE INTERIOR GROUND BUS ANY METAL OBJECTS PASSING OR CROSSING WITHIN ONE FOOT OF THE RING. ADDITIONAL GROUNDING IS SITE SPECIFIC AND SHALL BE SHOWN ON INTERIOR ELECTRICAL LAYOUT.
 3. DETAIL SHOWS INSTALLATION IN UNPAVED AREA. WHEN INSTALLING IN A PAVED AREA INCORPORATE GROUND WELL IN THE POUR. (GROUND WELLS SHALL NOT BE INSTALLED IN VEHICULAR TRAFFIC AREAS)
 4. GROUND WELLS ARE REQUIRED AT EVERY GROUND ROD.
 5. WEIGHTS OF ALL FENCE PIPE MEMBERS SHALL MEET THE MINIMUM REQUIREMENTS OF A.S.A. SCHEDULE 40.
 6. BARBED WIRE EXTENSION ARMS SHALL BE ANGLED FROM THE VERTICAL.
 7. GATE JUMPER SHALL BE #4/0 AWG WELDING CABLE OR FLEXIBLE COPPER BRAIDE WITH SLEEVES ON EACH END FOR EXOTHERMIC WELDING.
 8. GATE JUMPER SHALL BE INSTALLED SO THAT IT WILL NOT BE SUBJECTED TO DAMAGING STRAIN WHEN GATE IS FULLY OPEN IN EITHER DIRECTION.

GROUND WIRE SIZES			
DESCRIPTION	WIRE	INSULATION/ COATING	SOLID OR STRANDED
EXTERIOR RING AND BELOW GROUND CONNECTIONS	#2	BARE	STRANDED
AC SERVICE GRND.	#2	INSULATED	STRANDED
ALL BONDING JUMPERS	#2	INSULATED	STRANDED

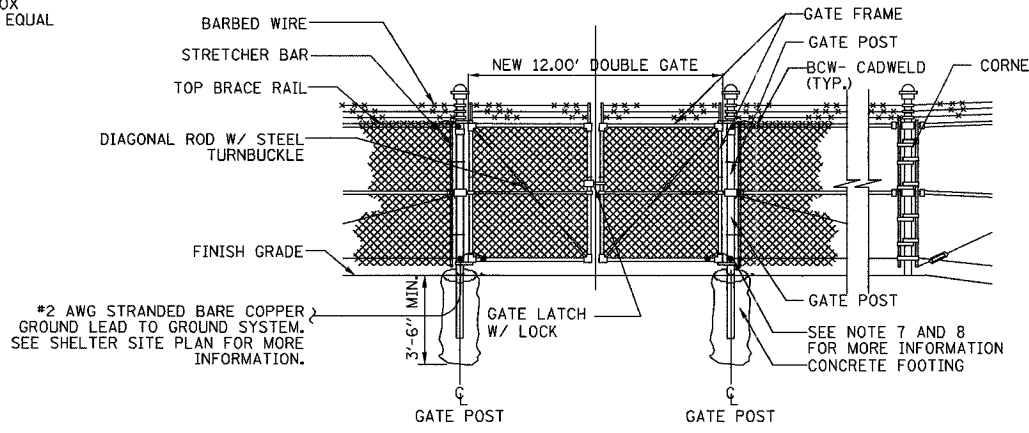
INSULATION WHERE SPECIFIED SHALL BE THWN, COLOR CODED GREEN



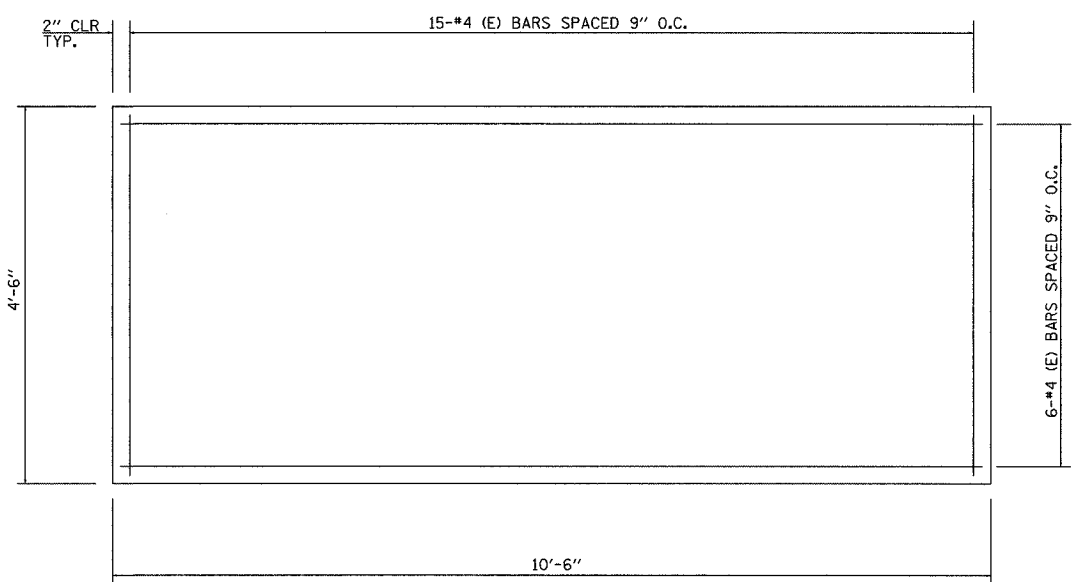
TYPICAL GENERATOR CONCRETE PAD SECTION



GROUND WELL DETAIL
NOT TO SCALE

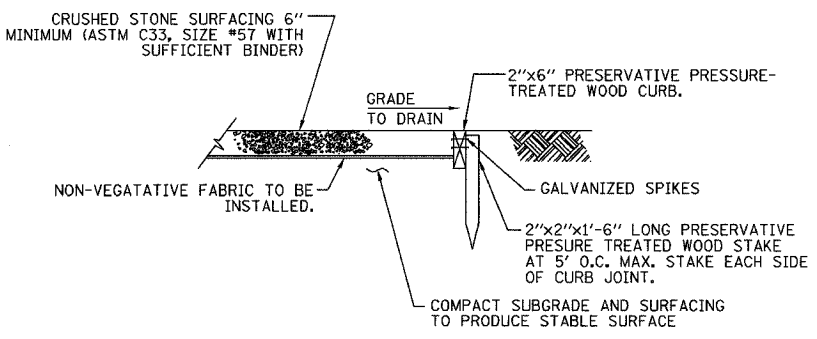


CHAIN LINK FENCE
NOT TO SCALE

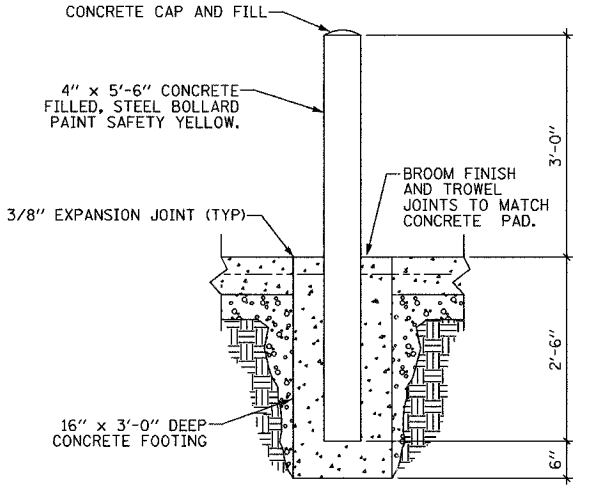


GENERATOR CONCRETE PAD PLAN

f'c = 3500 psi
ALL BARS DESIGNATED "E" SHALL BE EPOXY COATED



WEED BARRIER DETAIL
NOT TO SCALE



CONCRETE BOLLARD DETAIL
NOT TO SCALE

Edwards AND Kelcey
ONE NORTH FRANKLIN CHICAGO, IL 60606
PHONE: (312) 251-3000
FAX: (312) 251-3015
WEB: WWW.EDKCORP.COM

REVISIONS	
NAME	DATE

ILLINOIS DEPARTMENT OF TRANSPORTATION
F.A.I. 94/90 (DAN RYAN EXPRESSWAY)
31st STREET to I-57
SHELTER DETAILS
(SHEET 1 OF 2)
SCALE: NOT TO SCALE
DATE: October 29, 2004
DRAWN BY: JM
CHECKED BY: CS

COMM-93

11/23/2004 07:29:22 AM