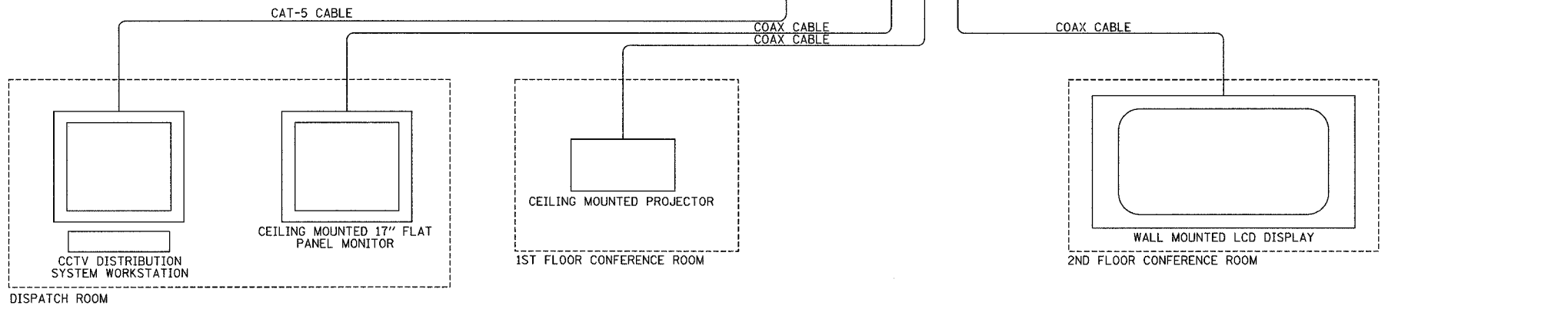
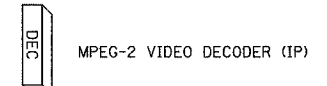
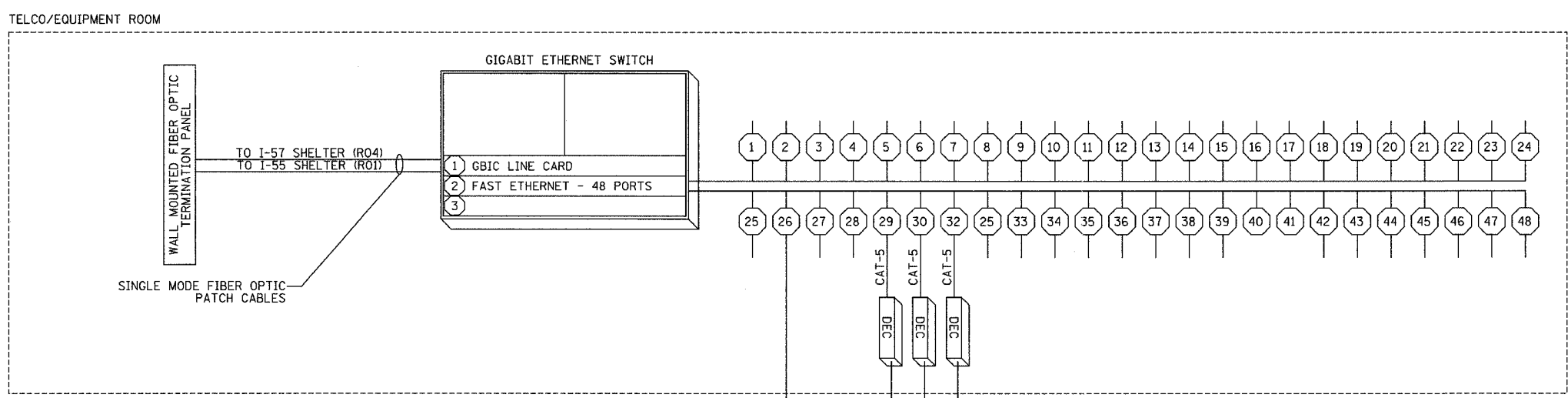
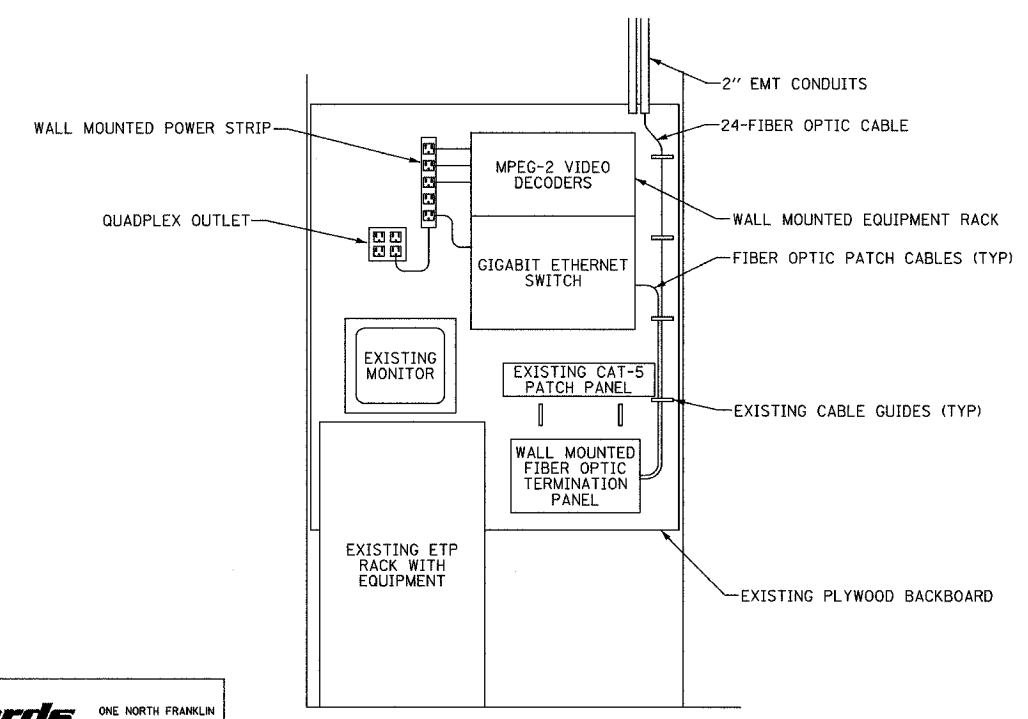


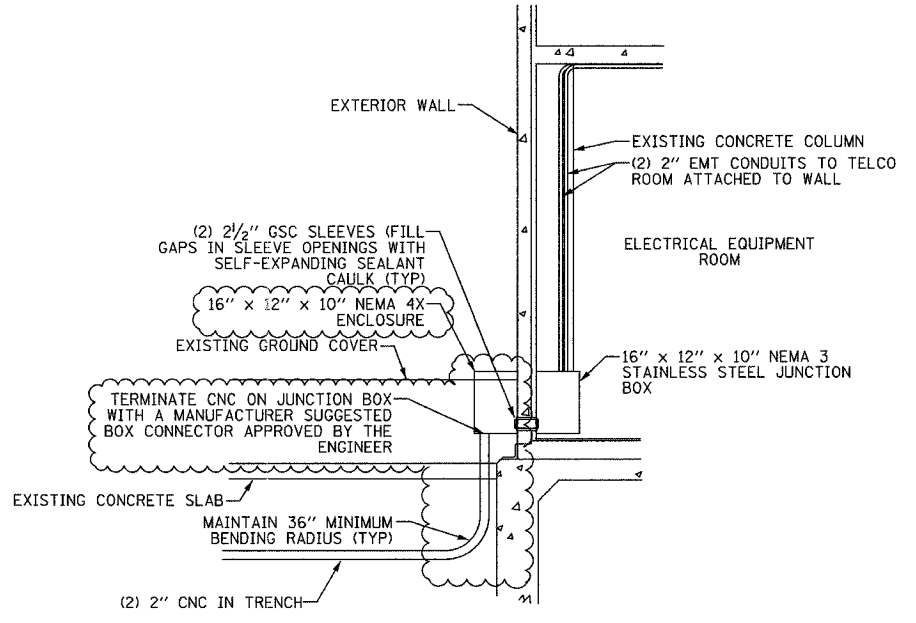
F.A.I. RTE.	SECTION	COUNTY	TOTAL SHEETS	SHEET NO.
94/90	2003-0311	COOK	976	875
STA.	TO STA.			
FED. ROAD DIST. NO.	ILLINOIS FED. AID PROJECT			
62583				



EQUIPMENT WIRING DIAGRAM
NOT TO SCALE



TELCO ROOM EQUIPMENT ELEVATION
NOT TO SCALE



CONDUIT ENTRANCE DETAIL
NOT TO SCALE

NOTES:
1. ALL INSTALLED HARDWARE SHALL HAVE ENGRAVED NAMEPLATES WITH AN ATTACHMENT METHOD AND DESIGNATION APPROVED BY THE ENGINEER.

REVISIONS	
NAME	DATE
REVISION 1	12/17/04

ILLINOIS DEPARTMENT OF TRANSPORTATION
F.A.I. 94/90 (DAN RYAN EXPRESSWAY)
31st STREET TO I-57

**EMERGENCY TRAFFIC PATROL (ETP)
WIRING DIAGRAM & DETAILS**

SCALE: NOT TO SCALE
DATE: October 29, 2004

DRAWN BY: DHI
CHECKED BY: JEZ

Edwards AND Kelcey
ONE NORTH FRANKLIN
CHICAGO, IL 60606
PHONE: (312) 251-3000
FAX: (312) 251-3015
WEB: WWW.EKCORP.COM

12/15/2004 04:52:54 PM P:\030103\0311\15\wcd\020322.e37