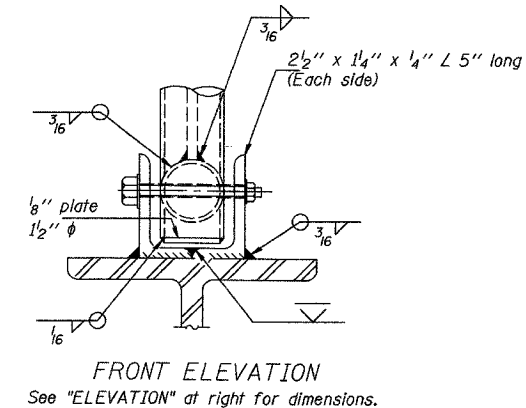
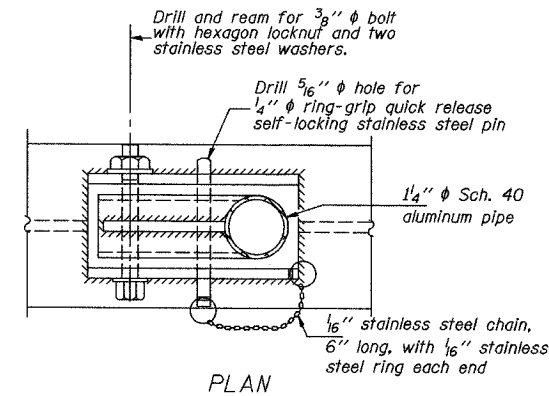
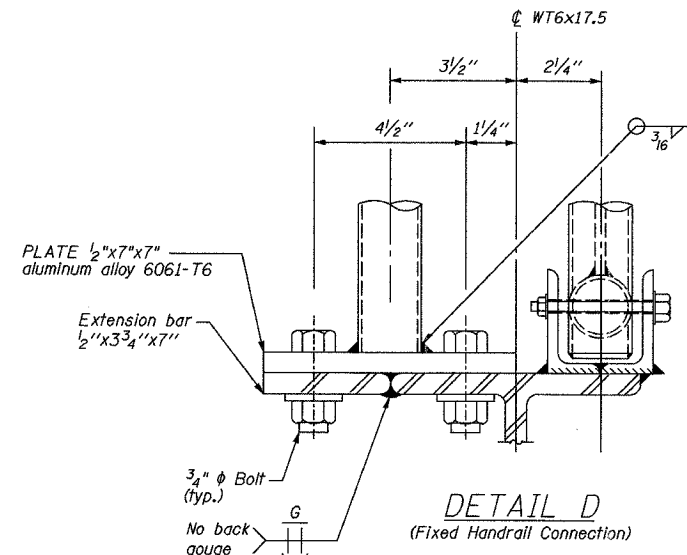
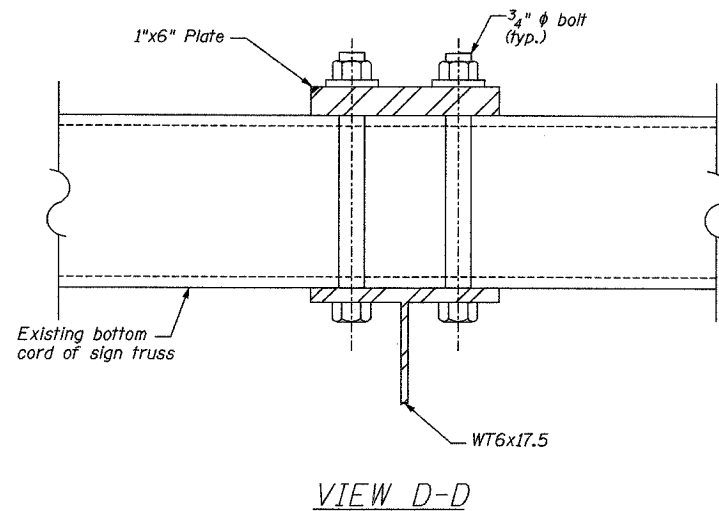
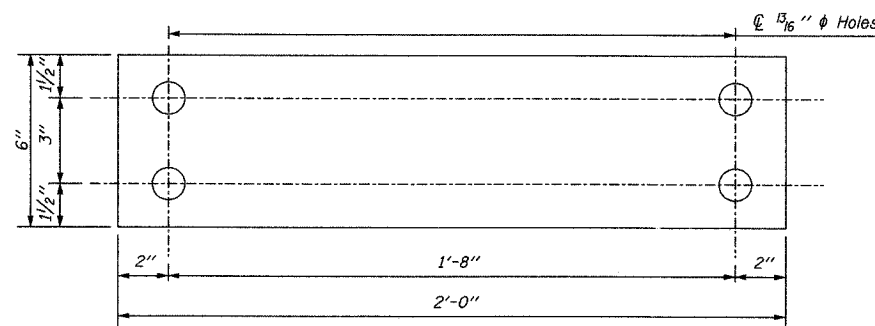


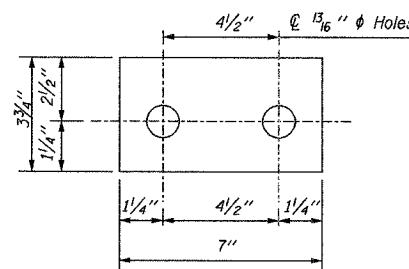
F.A.I. RTE.	SECTION	COUNTY	TOTAL SHEETS	SHEET NO.
94/90	2003-0311	COOK	976	105
STA.	TO STA.			
FED. ROAD DIST. NO.	ILLINOIS FED. AID PROJECT			
62583				



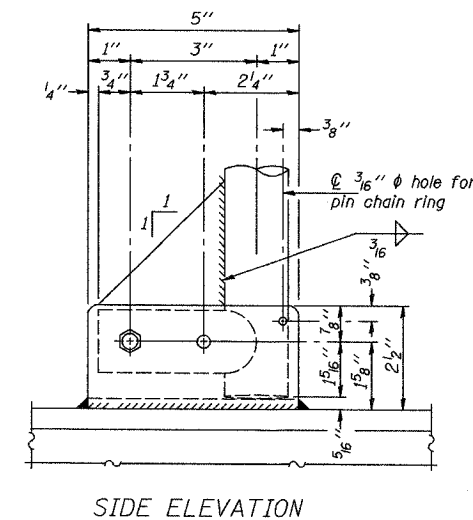
Extrusions may be used in lieu of the details shown, with approval of the Engineer.



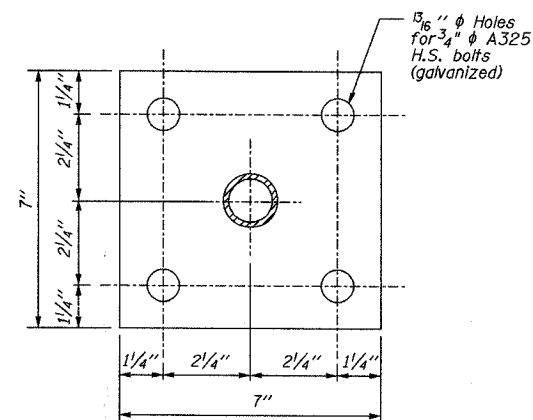
1" WALKWAY CONNECTION PLATE  
(AT WT 6X17.5 & BOTTOM CHORD)



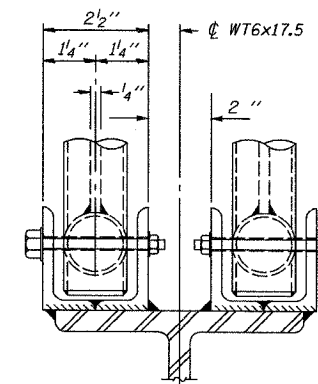
1/2" RAILING CONNECTION PLATE  
(AT WT 6X17.5 & EDGE POST)



DETAIL C



1/2" ALUMINUM BASE PLATE  
(AT BOTTOM OF RAILING POST)



ELEVATION  
(At Handrail Joint)

DT-10

REVISIONS		ILLINOIS DEPARTMENT OF TRANSPORTATION F.A.I. 94/90 (DAN RYAN EXPRESSWAY) 31st STREET to I-57
NAME	DATE	
		OVERHEAD DYNAMIC MESSAGE SIGN (DMS-08) CONNECTION DETAILS
		SCALE: NONE
		DATE: October 29, 2004
		DRAWN BY: RLK
		CHECKED BY: JAP

**Edwards AND Kelcey**  
ONE NORTH FRANKLIN  
CHICAGO, IL 60606  
PHONE: (312) 251-3000  
FAX: (312) 251-3015  
WEB: WWW.EKCORP.COM

10/15/2004 10:33:12 AM