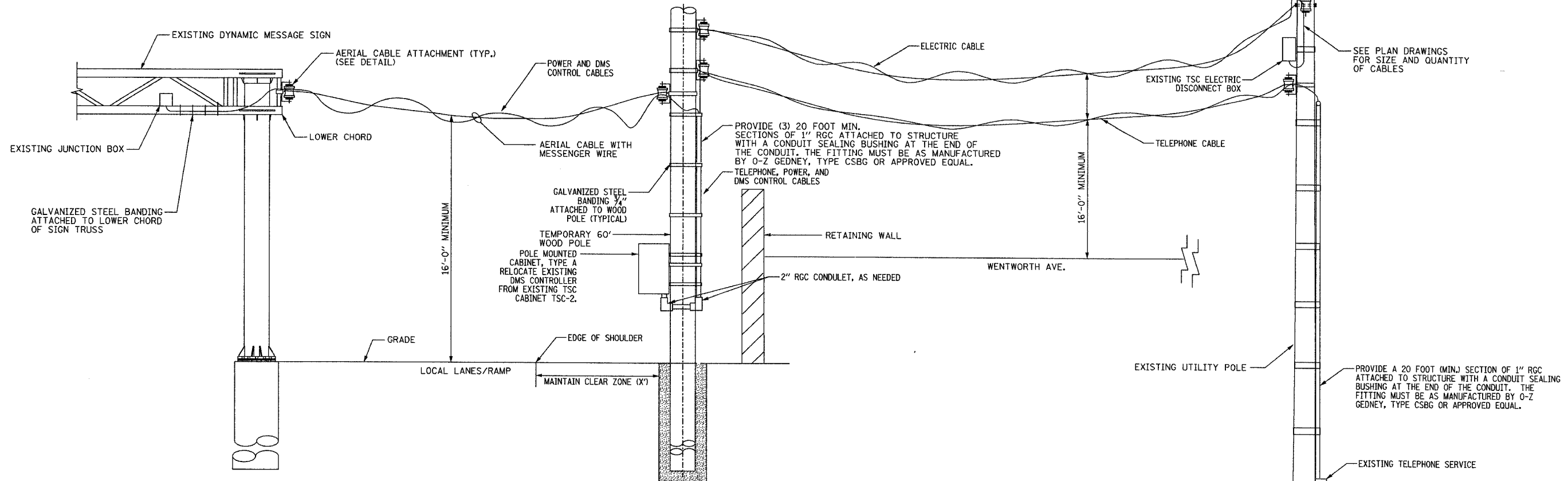


| | | | |
|---------------------|----------|------------------|-----------|
| SECTION | COUNTY | TOTAL SHEETS | SHEET NO. |
| 2003-0311 | COOK | 976 | 106 |
| STA. | TO STA. | | |
| FED. ROAD DIST. NO. | ILLINOIS | FED. AID PROJECT | |
| 62583 | | | |

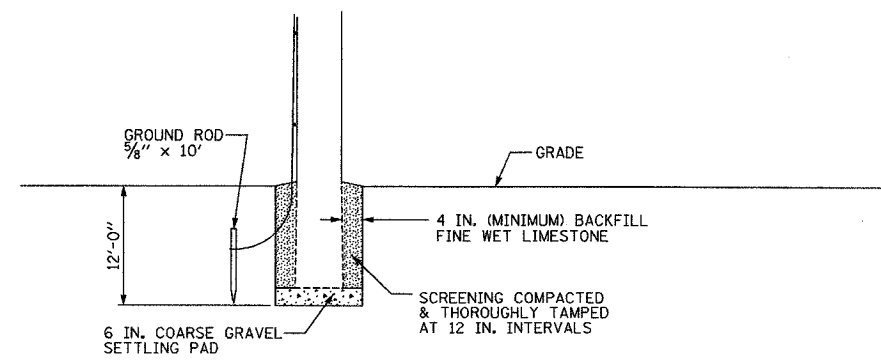
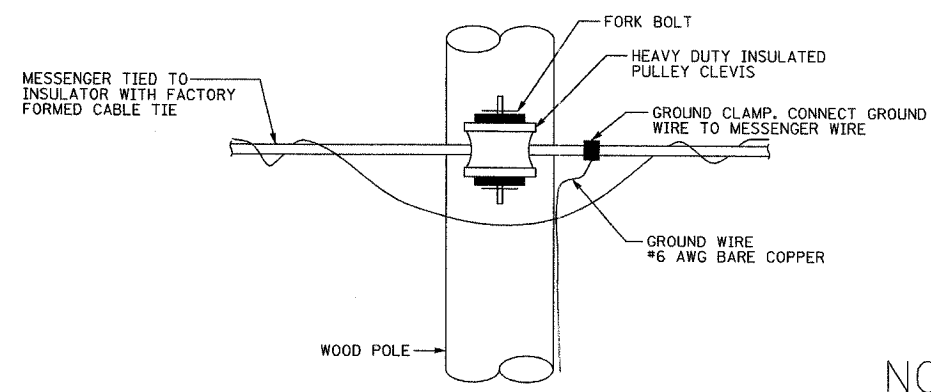
NOTES:

1. SEE DRAWINGS ME-01 AND ME-02 FOR ELECTRICAL SYMBOLS AND ABBREVIATIONS.
2. ALL WORK SHOWN WILL BE INCLUDED WITH THE COST OF THE AERIAL CABLE.
3. HEAVY DUTY INSULATED PULLEY CLEVIS AND CLAMPS MAY BE SUBSTITUTED WITH OTHER EQUIPMENT AND MOUNTING METHOD UPON APPROVAL FROM THE ENGINEER.
4. SEE PLAN DRAWINGS FOR CABLE SIZE AND QUANTITY OF CABLE.
5. MAINTAIN EXISTING DMS UNTIL NEW DMS LOCATED APPROX. 450' NORTH OF EXISTING IS OPERATIONAL.

TEMPORARY CONNECTION TO SIGN STRUCTURE DETAIL



**TEMPORARY WOOD POLE
AERIAL CABLE ATTACHMENT DETAIL**



FOUNDATION DETAIL

Edwards AND Kelcey
 ONE NORTH FRANKLIN
 CHICAGO, IL 60606
 PHONE: (312) 251-3000
 FAX: (312) 251-3015
 WEB: WWW.EKCORP.COM

NOT TO SCALE

| REVISIONS | |
|-----------|------|
| NAME | DATE |
| | |
| | |
| | |
| | |
| | |
| | |
| | |
| | |
| | |
| | |

ILLINOIS DEPARTMENT OF TRANSPORTATION
 F.A.I. 94/90 (DAN RYAN EXPRESSWAY)
 31st STREET to I-57
 TEMPORARY POWER FEED TO
 DYNAMIC MESSAGE SIGN DETAIL
 (57TH STREET)

SCALE: NOT TO SCALE
 DATE: October 29, 2004
 DRAWN BY: CJH
 CHECKED BY: DH

DT-11

10/15/2004 03:37:42 PM