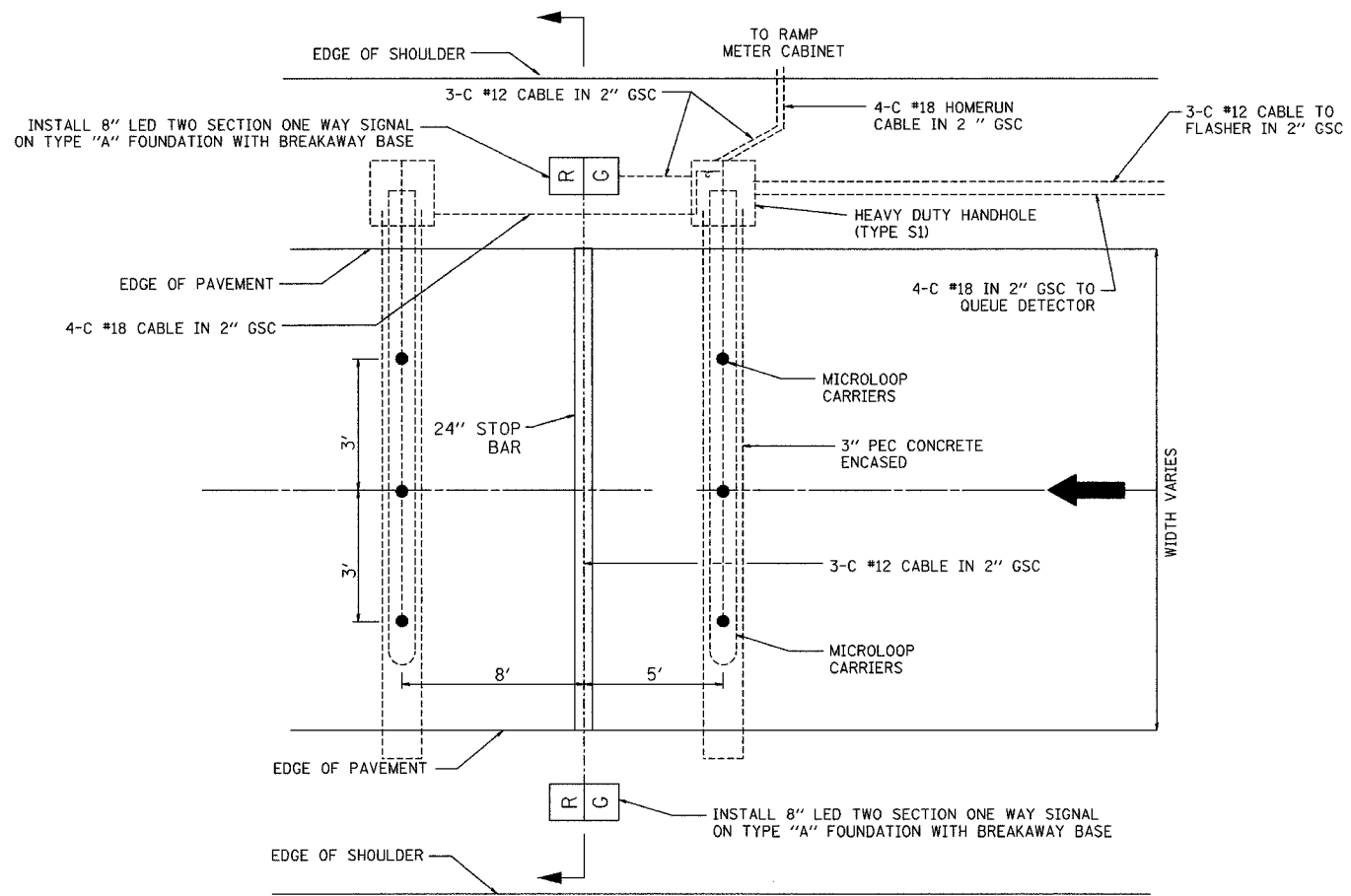
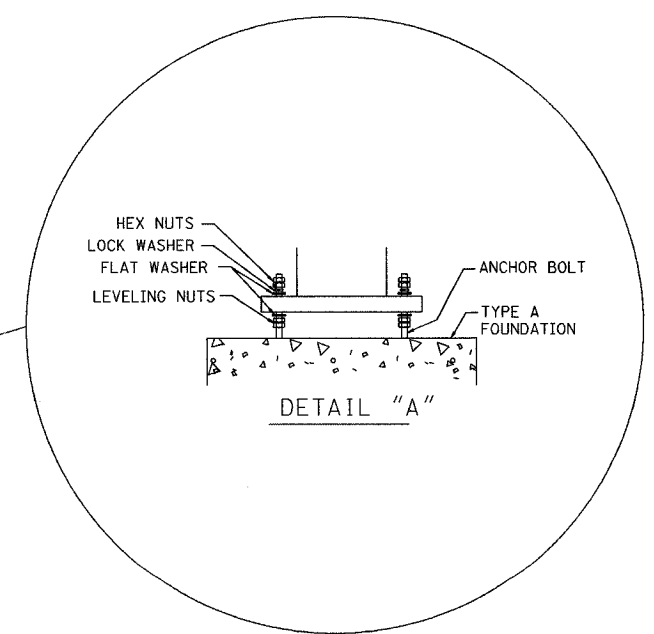
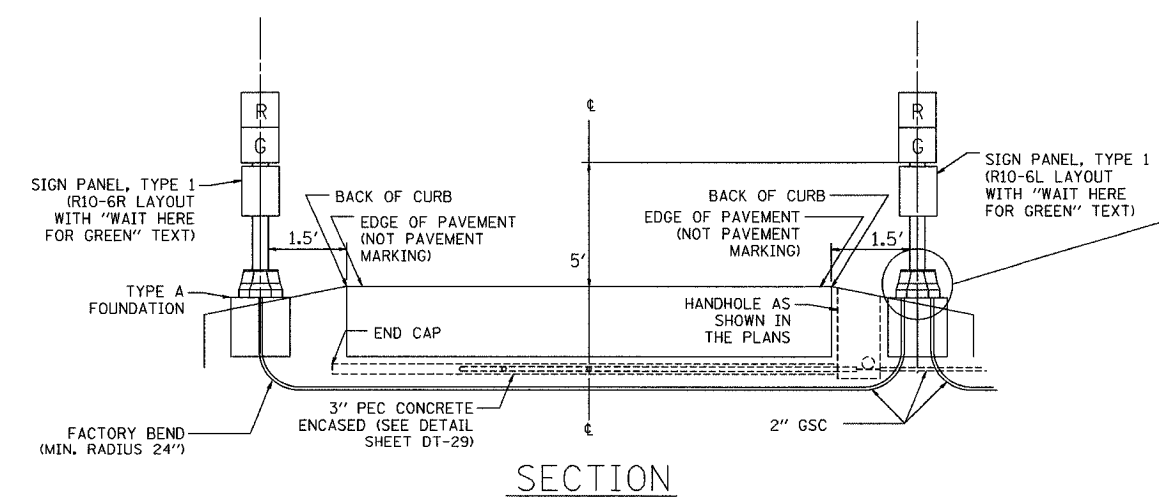


SECTION	COUNTY	TOTAL SHEETS	SHEET NO.
2003-0311	COOK	976	939
STA.	TO STA.		
FED. ROAD DIST. NO.	ILLINOIS	FED. AID PROJECT	
62583			



TYPICAL SIGNAL AND LOOP LAYOUT (TYPE I)



TYPICAL BREAKWAY POLE BASE

DT-33

REVISIONS		ILLINOIS DEPARTMENT OF TRANSPORTATION F.A.I. 94/90 (DAN RYAN EXPRESSWAY) 31st STREET to I-57 TYPICAL RAMP METERING INSTALLATION TYPE I (FOR RAMPS WITHOUT CURBS AND GUTTERS)
NAME	DATE	
		SCALE: NTS
		DATE: October 29, 2004
		DRAWN BY: NB
		CHECKED BY: CTC

**Edwards
AND Kelcey**
ONE NORTH FRANKLIN
CHICAGO, IL 60606
PHONE: (312) 251-3000
FAX: (312) 251-3015
WEB: WWW.ECKORP.COM

11/23/2004 10:50:53 AM