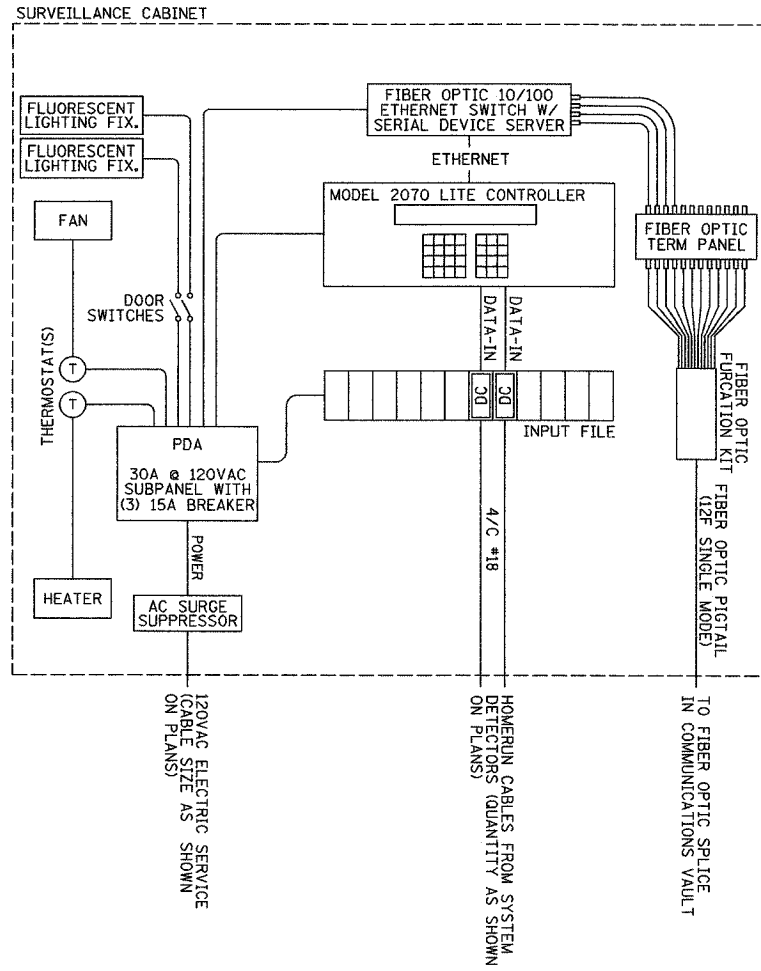
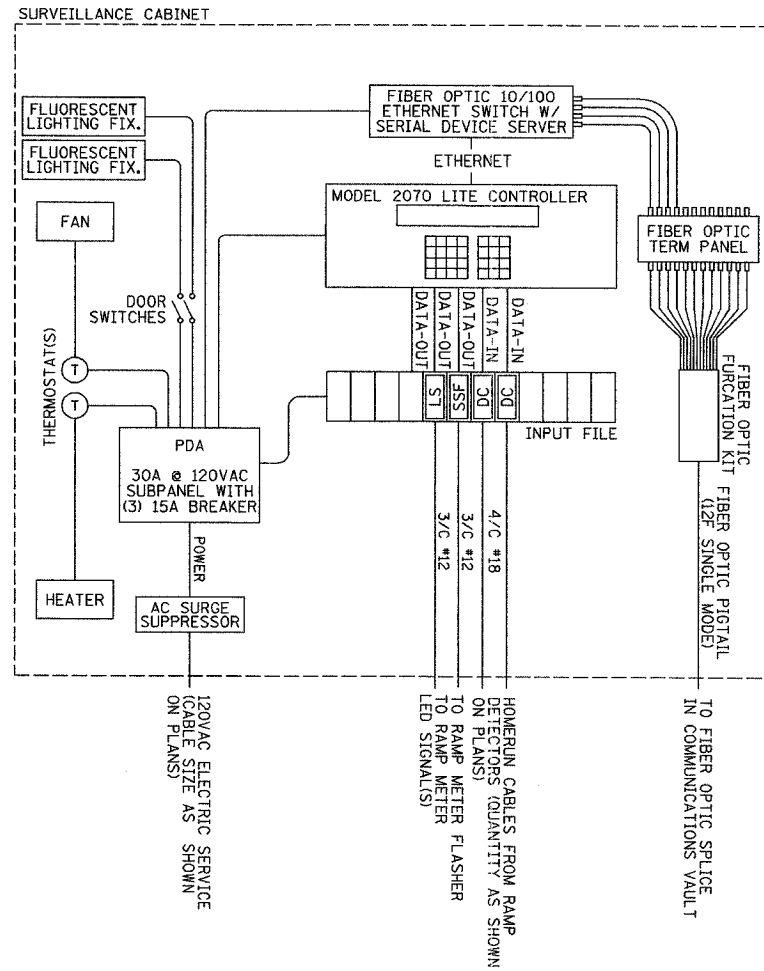


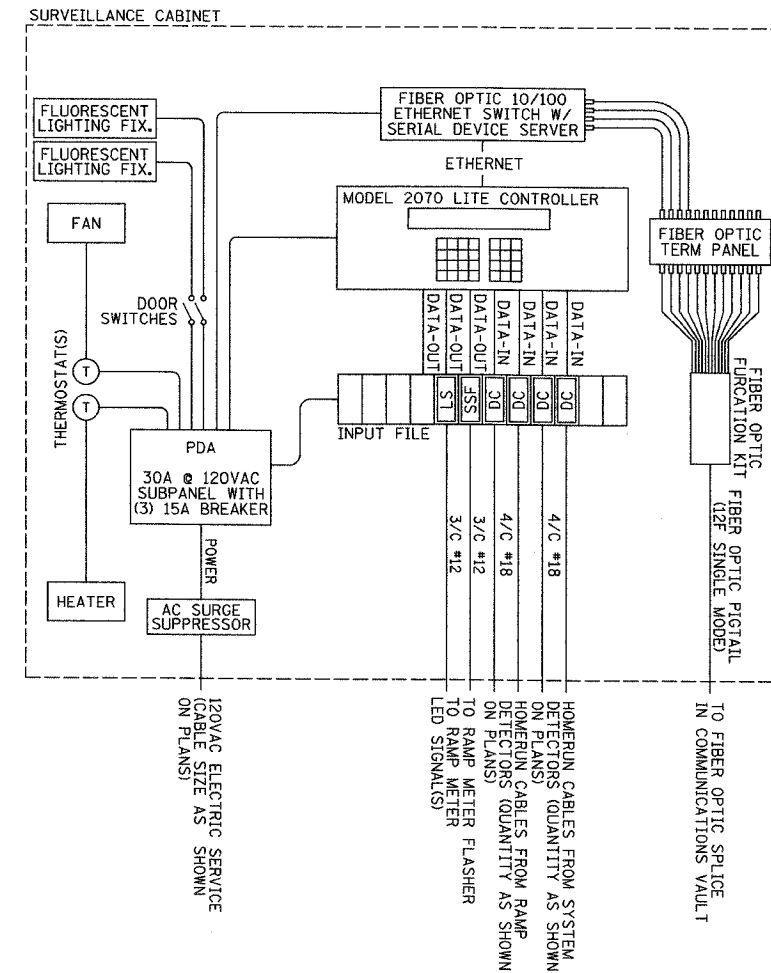
SECTION	COUNTY	TOTAL SHEETS	SHEET NO.
2003-0311	COOK	976	446
STA. TO STA.			
FED. ROAD DIST. NO. ILLINOIS		FED. AID PROJECT	
62583			



SYSTEM DETECTOR
SINGLE LINE DIAGRAM (TYPICAL)
NOT TO SCALE



RAMP METERING
SINGLE LINE DIAGRAM (TYPICAL)
NOT TO SCALE



RAMP METERING/SYSTEM DETECTOR
SINGLE LINE DIAGRAM (TYPICAL)
NOT TO SCALE

**Edwards
AND Kelcey**
ONE NORTH FRANKLIN
CHICAGO, IL 60606
PHONE: (312) 251-3000
FAX: (312) 251-3015
WEB: WWW.EKCORP.COM

ABBREVIATIONS
DC DETECTOR CARD
LS LOAD SWITCH
SSF SOLID STATE FLASHER

REVISIONS	
NAME	DATE

ILLINOIS DEPARTMENT OF TRANSPORTATION
F.A.I. 94/90 (DAN RYAN EXPRESSWAY)
31st STREET to I-57

CABINET, MODEL 334 - WIRING DETAILS
AND SCHEMATIC (SHEET 1 OF 3)

SCALE: NOT TO SCALE DRAWN BY: DHI
DATE: October 29, 2004 CHECKED BY: JEZ

DT-39

10/14/2004 09:24:30 AM