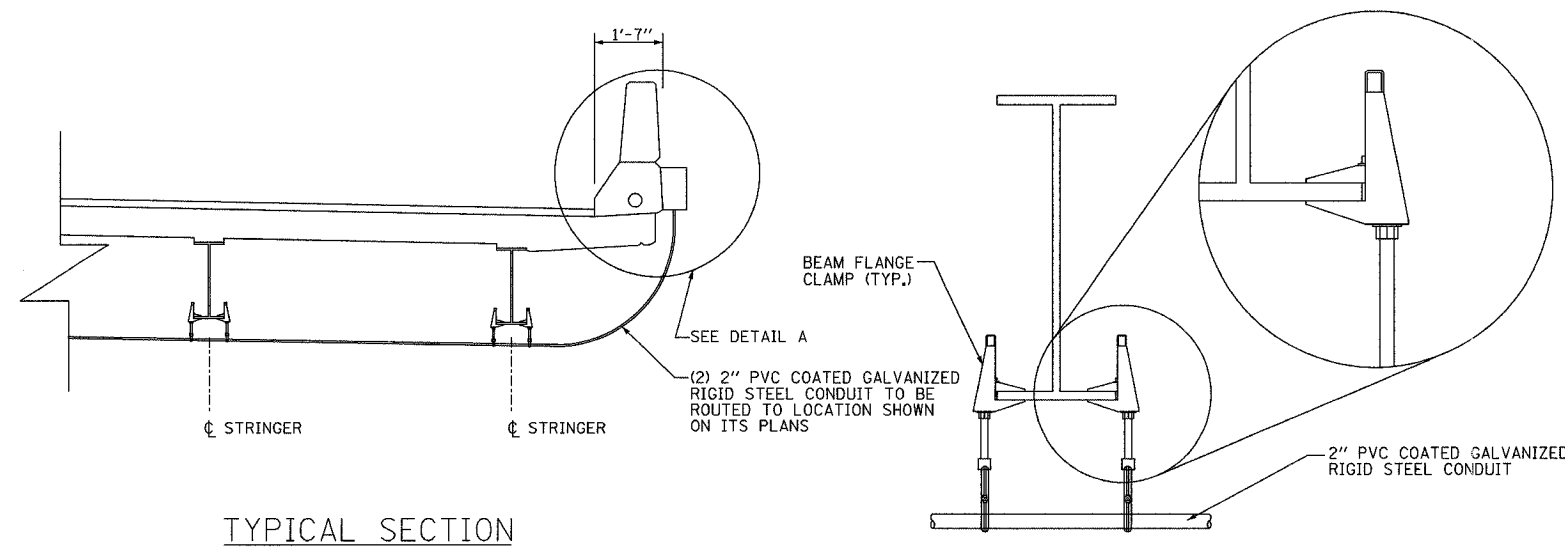
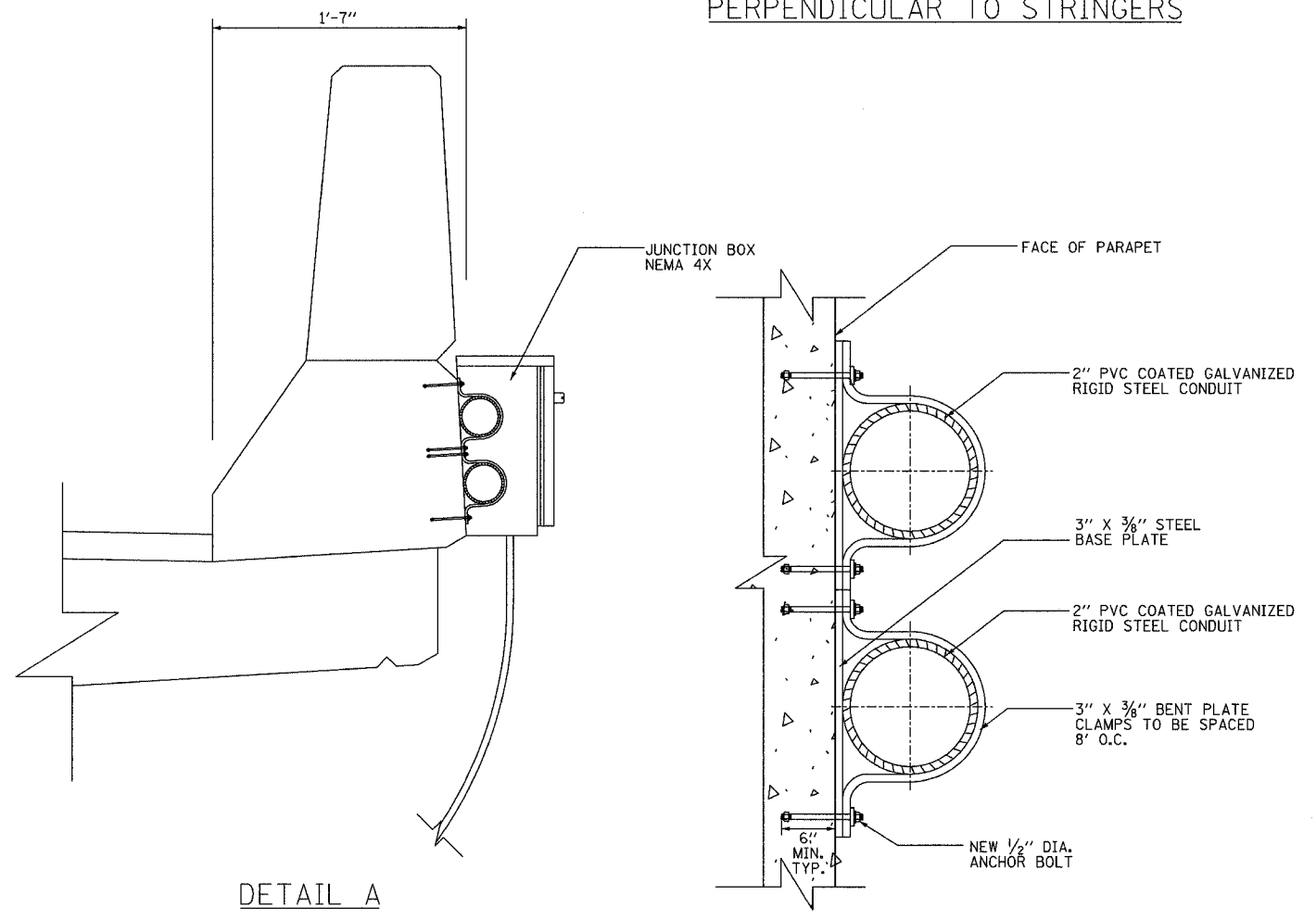
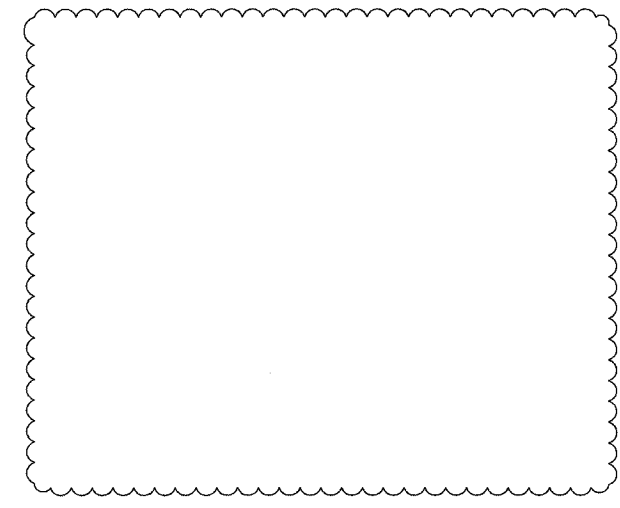


SECTION	COUNTY	TOTAL SHEETS	SHEET NO.
2003-03II	COOK	976	959
STA.	TO STA.		
FED. ROAD DIST. NO.	ILLINOIS	FED. AID PROJECT	
62583			



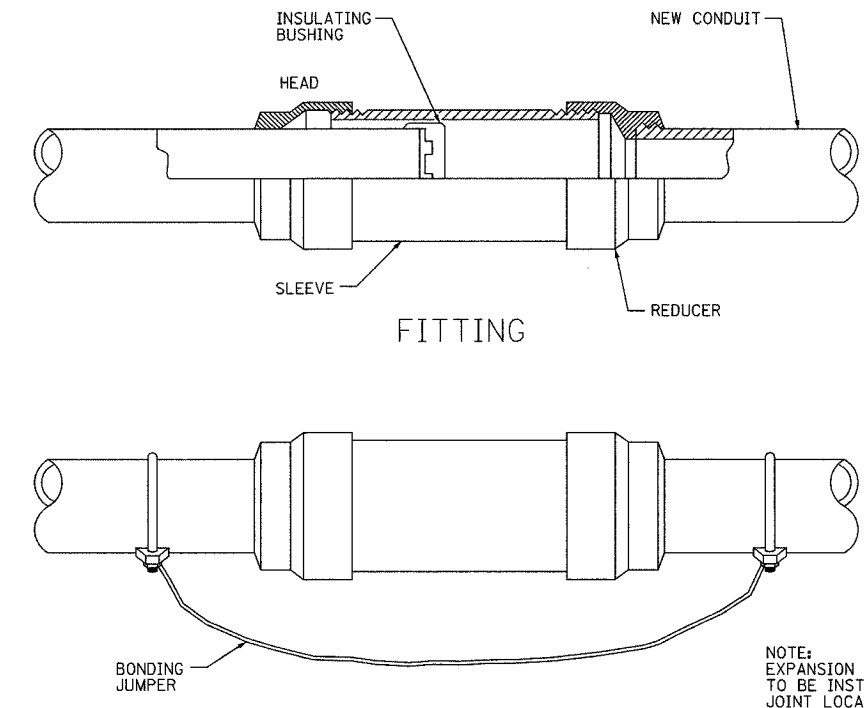
TYPICAL SECTION

DETAIL B
PERPENDICULAR TO STRINGERS



DETAIL A

TYPICAL CLAMP BRACKET DETAIL



EXPANSION FITTING TYPE EX
(PROPOSED EXPANSION JOINT ASSEMBLY
PRESET EXPANSION DEVICE AT 68° F)

NOTE:
EXPANSION FITTING TYPE EX DETAIL
TO BE INSTALLED AT BRIDGE EXPANSION
JOINT LOCATIONS

DT-52

**Edwards
AND Kelcey**
ONE NORTH FRANKLIN
CHICAGO, IL 60606
PHONE: (312) 251-3000
FAX: (312) 251-3015
WEB: WWW.EKCORP.COM

REVISIONS	
NAME	DATE
REVISION 1	12/17/04

ILLINOIS DEPARTMENT OF TRANSPORTATION
F.A.I. 94/90 (DAN RYAN EXPRESSWAY)
31st STREET to I-57
CONDUIT ATTACHMENT DETAILS
DAN RYAN ELEVATED STRUCTURE
(W. 28TH PLACE TO NORMAL AVENUE)
SCALE: NTS
DATE: October 29, 2004
DRAWN BY: RLK
CHECKED BY: AJN

12/10/2004 03:31:40 PM