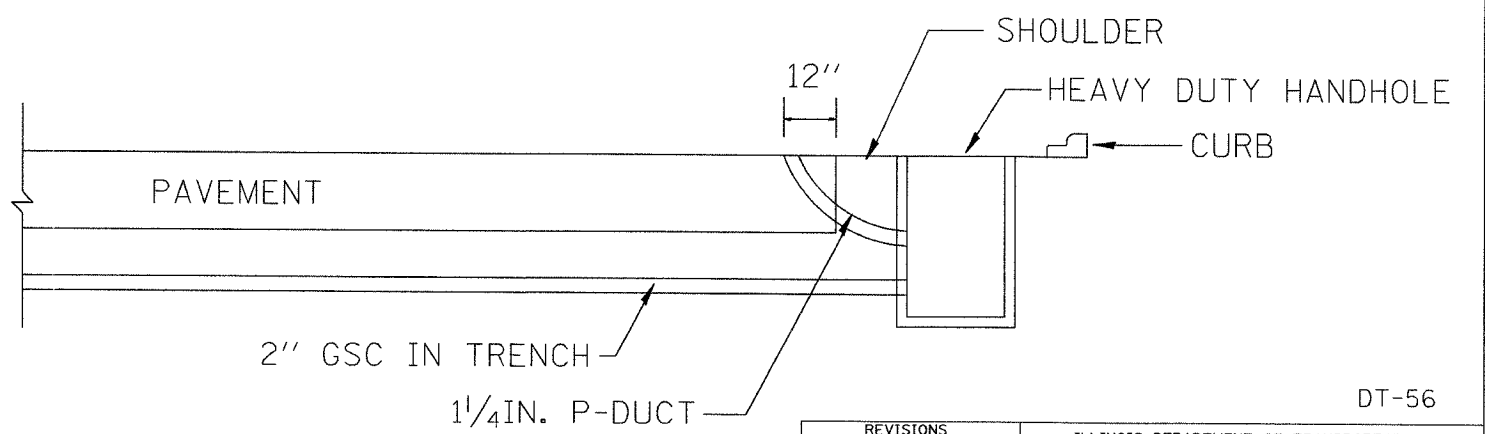
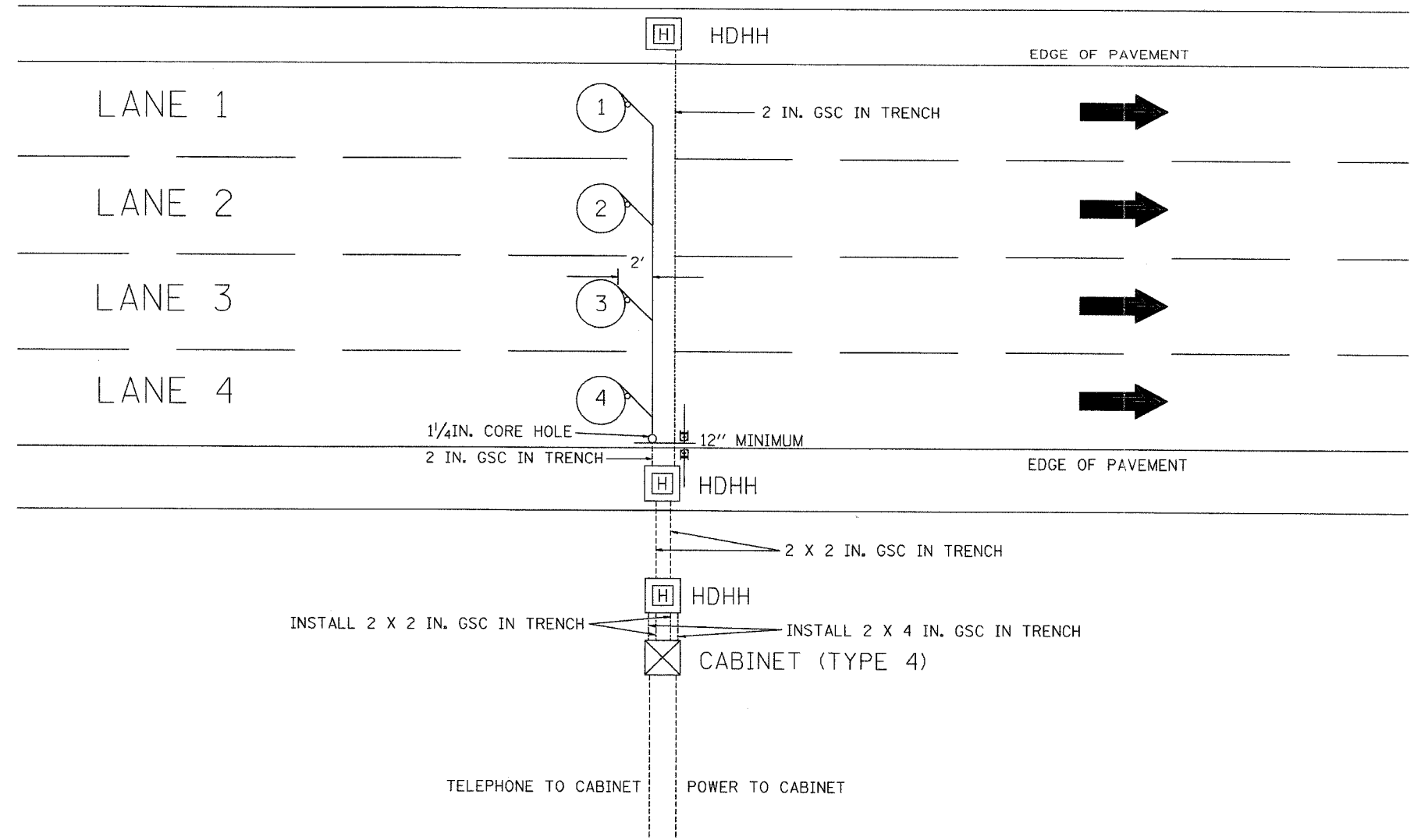


SECTION	COUNTY	TOTAL SHEETS	SHEET NO.
2003-0311	COOK	976	963
STA. 62583		TO STA.	
FED. ROAD DIST. NO.	ILLINOIS	FED. AID PROJECT	
62583			

NOTE: ALL MAIN LINE LOOPS ARE ROUND 6' DIA.



- NOTES
1. EACH LOOP SHALL BE SPLICED TO A 4-C NO.18 TWISTED SHIELDED LEAD IN WHEN 150FT. OR MORE FROM CABINET.
 2. LOOPS SHALL BE SPLICED IN HANDHOLES ONLY, OTHERWISE WRITTEN PERMISSION SHALL BE OBTAINED FROM TSC ENGINEER.
 3. LOOPS SHALL NOT BE SPLICED IN SERIES.
 4. EACH LOOP LEAD IN SHALL BE IDENTIFIED AND PERMANENTLY COLOR CODED IN THE COREHOLE, HANDHOLE & CABINETS THRU WHICH THEY ENTER OR PASS AND TAGGED WITH THE CORRECT NOMENCLATURES.

Edwards AND Kelcey
 ONE NORTH FRANKLIN
 CHICAGO, IL 60606
 PHONE: (312) 251-3000
 FAX: (312) 251-3015
 WEB: WWW.EKCORP.COM

REVISIONS	
NAME	DATE

ILLINOIS DEPARTMENT OF TRANSPORTATION
 F.A.I. 94/90 (DAN RYAN EXPRESSWAY)
 31st STREET TO I-57
 NEW CONSTRUCTION
 PRE-FORMED LOOP
 TYPICAL INSTALLATION

SCALE: NTS
 DATE: October 29, 2004

DT-56
 DRAWN BY: MAF
 CHECKED BY: DH

10/15/2004 02:19:42 PM