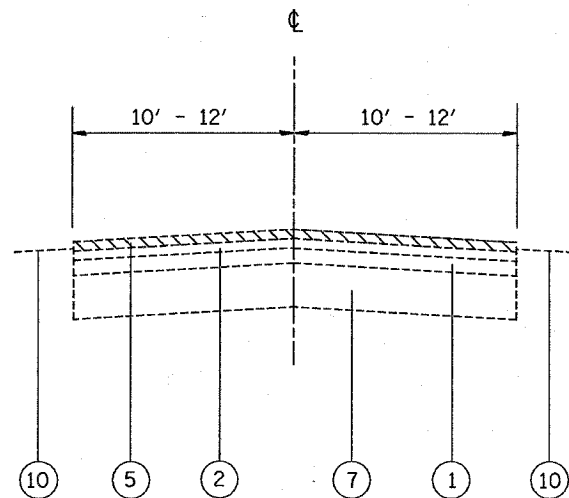
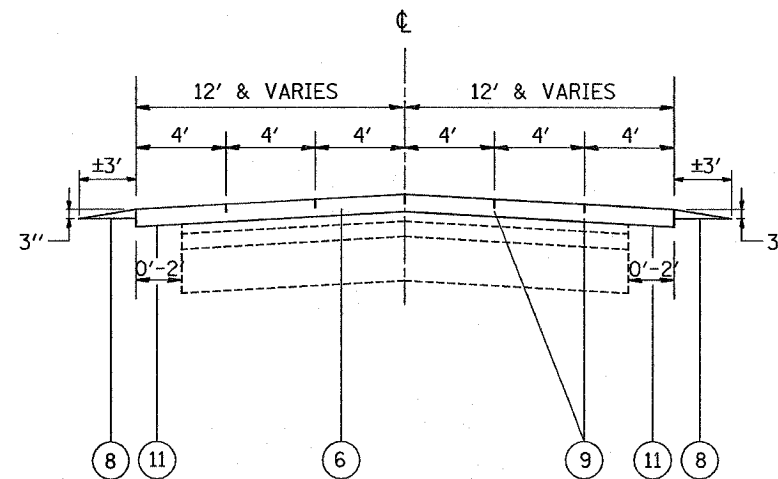


FAP RTE.	SECTION	COUNTY	TOTAL SHEETS	SHEET NO.
866	1181	LAKE	17	4
STA.		TO STA.		
FED. ROAD DIST. NO.	ILLINOIS	FED. AID PROJECT		

CONTRACT NO.: 62606

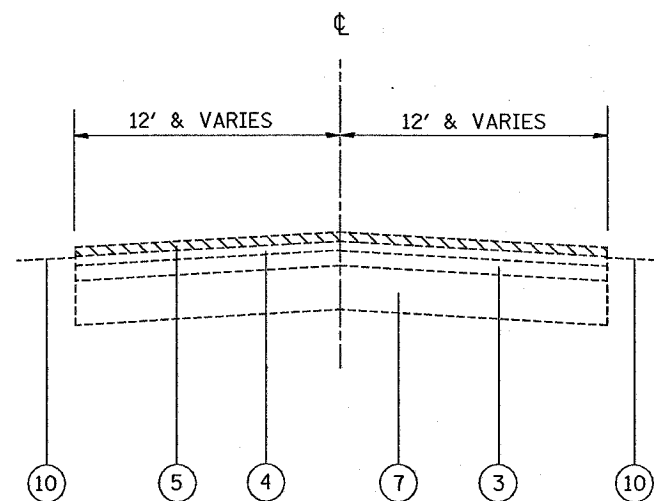


EXISTING TYPICAL CROSS SECTION  
STA. 0+24 TO STA. 3+75

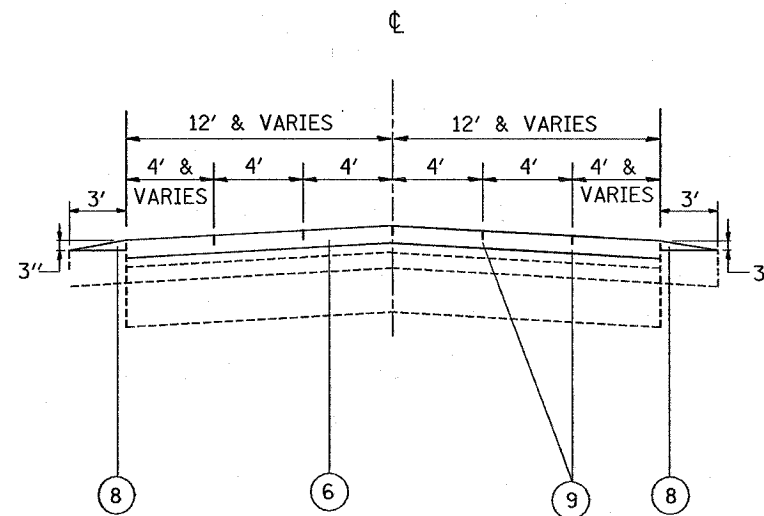


PROPOSED TYPICAL CROSS SECTION  
STA. 0+24 TO STA. 3+75

- LEGEND**
- ① EXISTING P.C.C. PAVEMENT, 4.75" - 5.75"
  - ② EXISTING BITUMINOUS CONCRETE, 4.75" - 6.50"
  - ③ EXISTING P.C.C. PAVEMENT, 6.75" - 9.25"
  - ④ EXISTING BITUMINOUS CONCRETE, 7" - 9"
  - ⑤ PROPOSED BITUMINOUS CONCRETE SURFACE REMOVAL, 2 1/2 "
  - ⑥ PROPOSED PCC OVERLAY, 4"
  - ⑦ EXISTING SUB-BASE GRANULAR MATERIAL
  - ⑧ PROPOSED AGGREGATE SHOULDERS, TYPE B
  - ⑨ LONGITUDINAL SAW CUT (TYP.)
  - ⑩ EXISTING AGGREGATE SHOULDER
  - ⑪ PROPOSED 4" OVERLAY ON EXISTING SHOULDER



EXISTING TYPICAL CROSS SECTION  
STA. 3+75 TO STA. 7+55



PROPOSED TYPICAL CROSS SECTION  
STA. 3+75 TO STA. 7+55

REVISIONS	
NAME	DATE

ILLINOIS DEPARTMENT OF TRANSPORTATION  
 SCHANCK AVE.  
 TYPICAL SECTIONS  
 SCALE: VERT.      DRAWN BY: CADD  
       HORIZ.        CHECKED BY  
 DATE