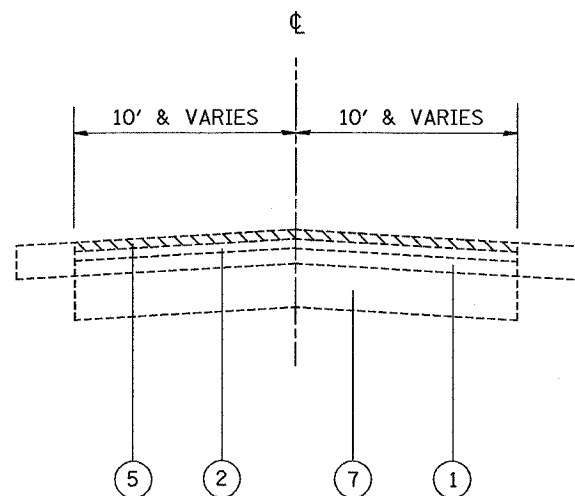
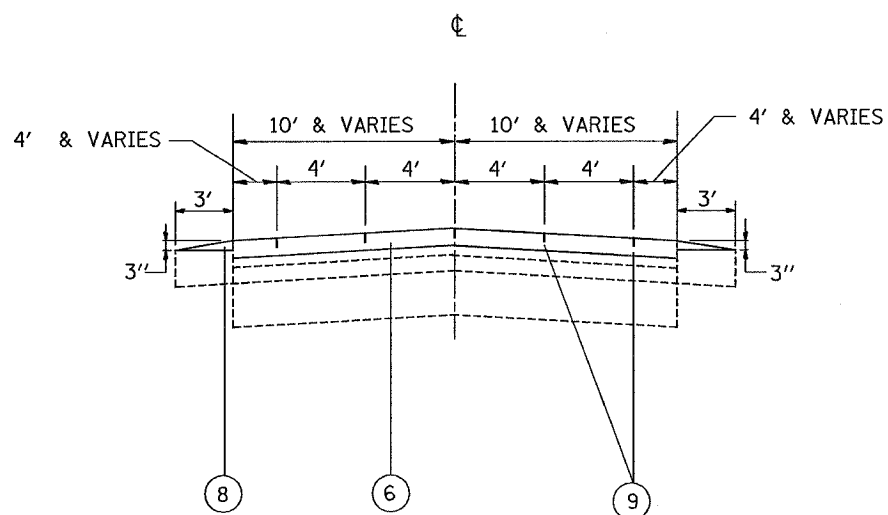


FAP RTE.	SECTION	COUNTY	TOTAL SHEETS	SHEET NO.
866	1181	LAKE	17	4
STA.		TO STA.		
FED. ROAD DIST. NO.	ILLINOIS	FED. AID PROJECT		

CONTRACT NO.: 62606



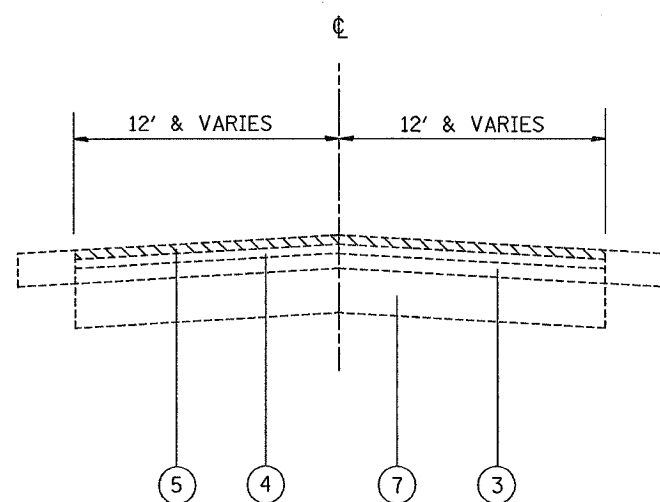
EXISTING TYPICAL CROSS SECTION
STA. 0+24 TO STA. 5+25



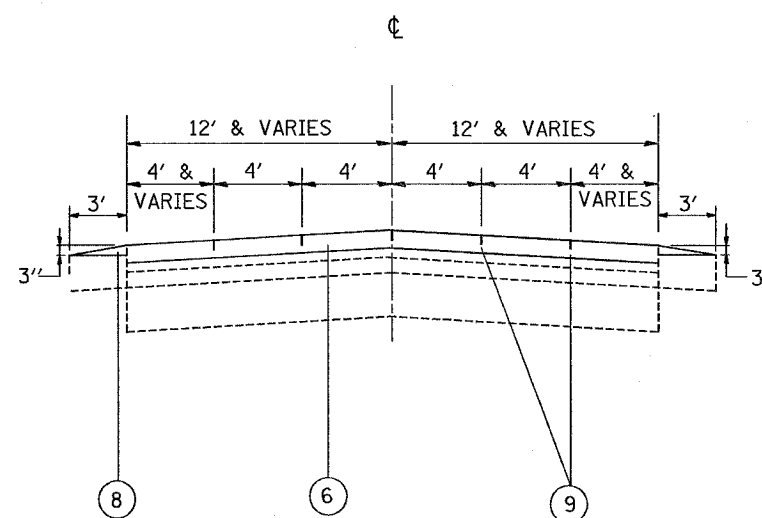
PROPOSED TYPICAL CROSS SECTION
STA. 0+24 TO STA. 4+75

LEGEND

- ① EXISTING P.C.C. PAVEMENT, 4.75" - 5.75"
- ② EXISTING BITUMINOUS CONCRETE, 4.75" - 6.50"
- ③ EXISTING P.C.C. PAVEMENT, 6.75" - 9.25"
- ④ EXISTING BITUMINOUS CONCRETE, 7" - 9"
- ⑤ PROPOSED BITUMINOUS ~~CONCRETE~~ SURFACE REMOVAL, 2 1/2 "
- ⑥ PROPOSED PCC OVERLAY, 4"
- ⑦ EXISTING SUB-BASE GRANULAR MATERIAL
- ⑧ PROPOSED AGGREGATE SHOULDERS, TYPE B
- ⑨ LONGITUDINAL SAW CUT (TYP.)



EXISTING TYPICAL CROSS SECTION
STA. 5+25 TO STA. 7+82



PROPOSED TYPICAL CROSS SECTION
STA. 4+75 TO STA. 7+82

REVISIONS	
NAME	DATE

ILLINOIS DEPARTMENT OF TRANSPORTATION
SCHANCK AVE.
TYPICAL SECTIONS
SCALE: VERT. DATE
HORIZ. DATE
DRAWN BY: CADD
CHECKED BY:

Rev.