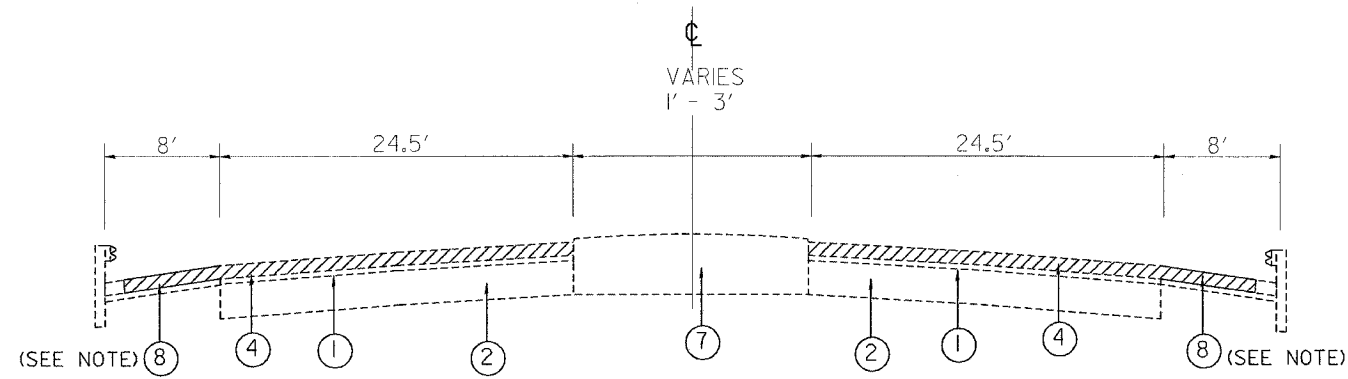


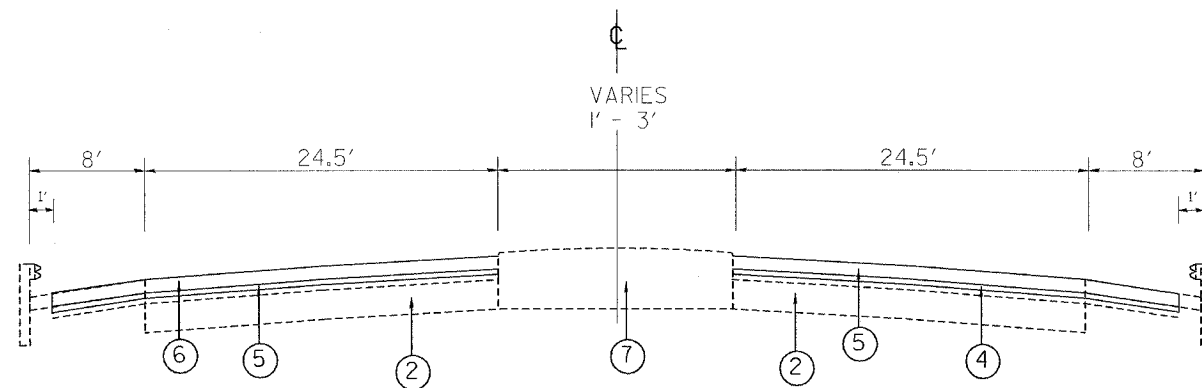
FAP RTE.	SECTION	COUNTY	TOTAL SHEETS	SHEET NO.
1504	0104RS-3	COOK	28	6
FED. ROAD DIST. NO. 7 ILLINOIS		FED. AID PROJECT		

CONTRACT NO. 62716

55TH ST.



EXISTING TYPICAL CROSS SECTION  
STA.130+14 TO 137+77



PROPOSED TYPICAL CROSS SECTION  
STATION 130+14 TO 137+77

NOTE:

THE SHOULDER SHALL BE REMOVED TO WITHIN 1' OF THE GAURDRAIL.

LEGEND

- ① EXISTING BITUMINOUS CONCRETE SURFACE ± 6"
- ② EXISTING PCC PAVEMENT ± 9"
- ③ EXISTING CURB & GUTTER
- ④ PROPOSED BITUMINOUS SURFACE REMOVAL, 2 1/4"
- ⑤ PROPOSED POLYMERIZED LEVELING BINDER (MACHINE METHOD) SUPERPAVE, IL4.75, N50, 3/4"
- ⑥ PROPOSED BITUMINOUS CONCRETE SURFACE COURSE, SUPERPAVE, MIXTURE D, 1 1/2"
- ⑦ EXISTING CONCRETE MEDIAN
- ⑧ EXISTING SHOULDER

REVISIONS	
NAME	DATE

ILLINOIS DEPARTMENT OF TRANSPORTATION  
EXISTING AND PROPOSED  
TYPICAL SECTIONS

55TH ST.

SCALE NONE  
DATE 9/16/2004

DRAWN BY S.E.S.  
CHECKED BY