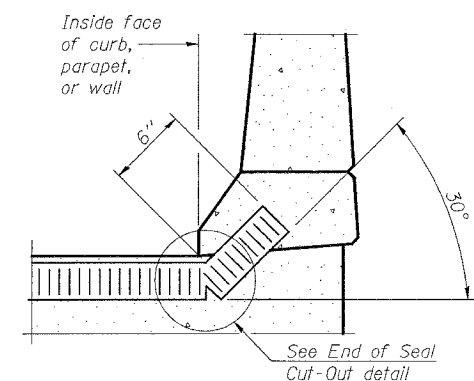
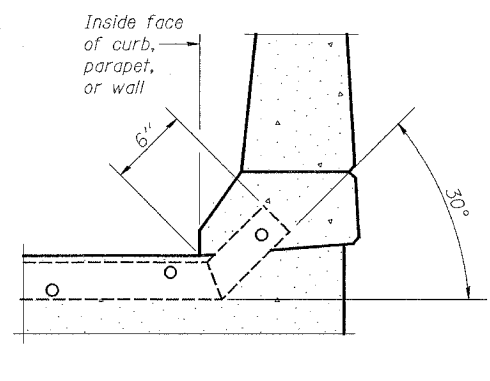


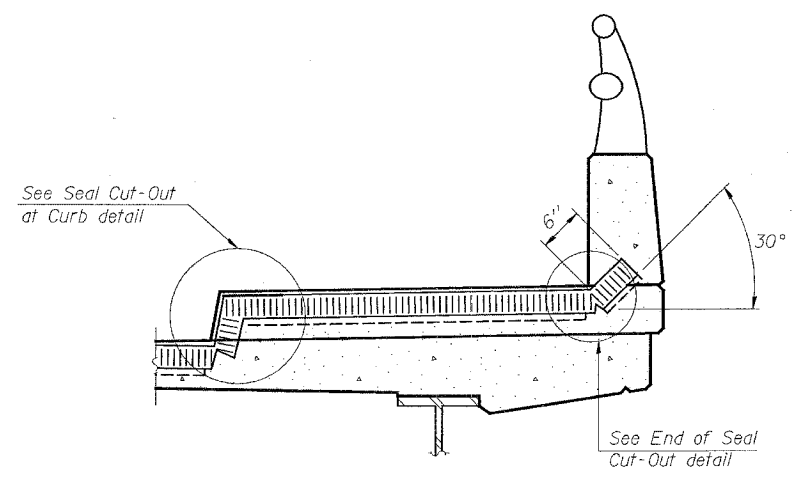
F.A.U. RTE.	SECTION	COUNTY	TOTAL SHEETS	SHEET NO.
1504	0164 RS-3	COOK	28	13
FED. ROAD DIST. NO. 1		ILLINOIS	HIGHWAY PROJECT	
CONTRACT NO. 62716				



**AT CURB, PARAPET, OR WALL**  
(Showing seal)

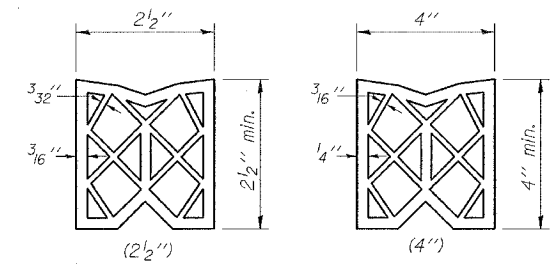


**AT CURB, PARAPET, OR WALL**  
(Showing plate)

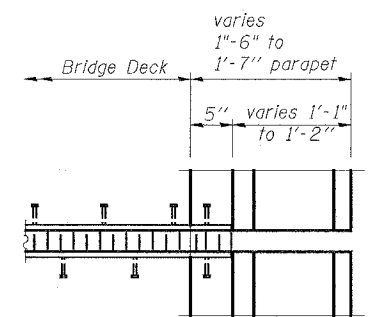


**AT SIDEWALK OR MEDIAN**  
(Showing plate and seal)

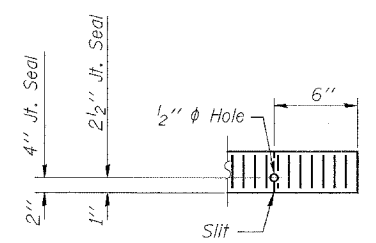
**TYPICAL END TREATMENTS**



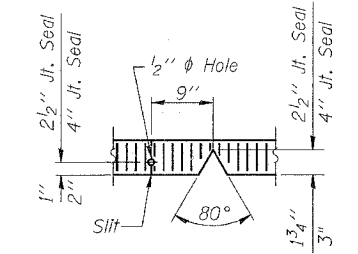
**PREFORMED JOINT SEAL**



**PLAN AT PARAPET**



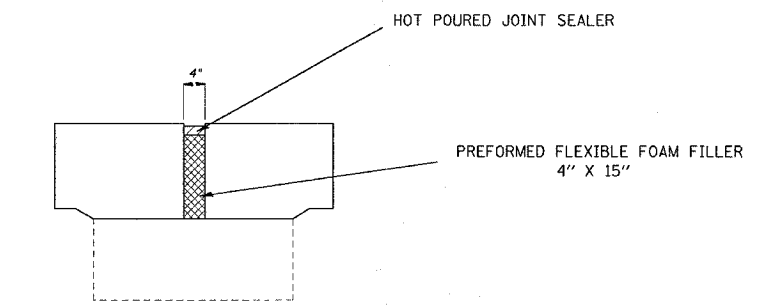
**END OF SEAL CUT-OUT**



**SEAL CUT-OUT AT CURB**

**BILL OF MATERIAL**

ITEM	DESCRIPTION	UNIT	QTY	LOCATION
Removal & Replacement of Preformed Elastomeric Compression Joint Seal	Preformed Joint Seal 2 1/2"	Foot	73	55th St. at Flagg Creek
	Preformed Joint Seal 4"	Foot	73	
Expansion Joint Repair	Hot Poured Joint Sealer	Foot	120	55th St. at I-294 &
	Preformed Flexible Foam Filler 4" X 15"		120	55th St. at Flagg Creek



**PAVEMENT EXPANSION JOINT REPAIR**  
55TH ST AT I-294 &  
55TH ST AT FLAGG CREEK

(Sheet 1 of 2)

ILLINOIS DEPARTMENT OF TRANSPORTATION

**PREFORMED JOINT SEAL & EXPANSION JOINT DETAIL**

55TH ST.

SN 016-2610, SN 016-1032

SCALE: NONE DATE 9/16/2004

DRAWN BY S.E.S. CHECKED BY

REVISIONS	
NAME	DATE

9/16/2004  
c:\proj\cts\dl11804\dl11804cam32  
schllkese