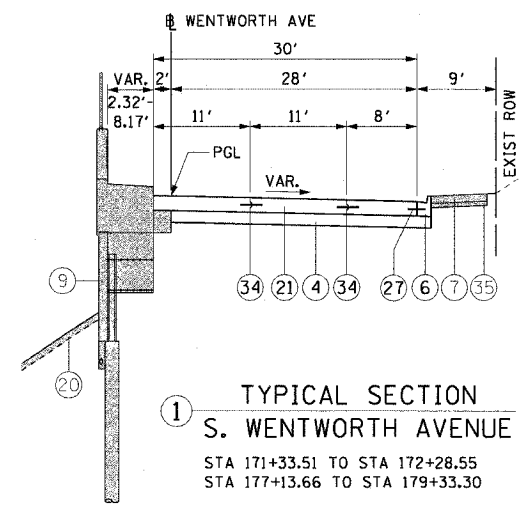
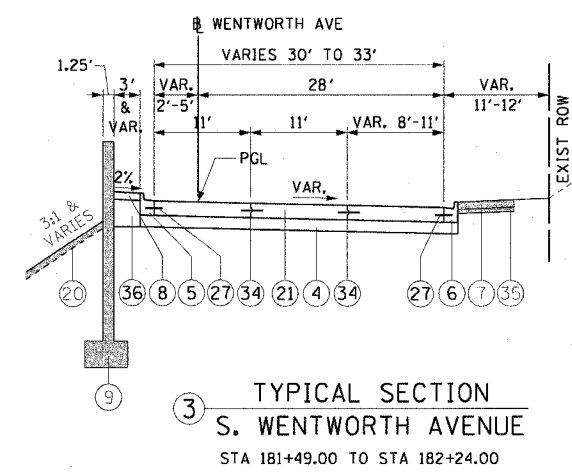


F.A.I. RTE.	SECTION	COUNTY	TOTAL SHEETS	SHEET NO.
90/94	2004-070RS	COOK	60	10
STA.	TO STA.			
FED. ROAD DIST. NO. 1 ILLINOIS FED. AID PROJECT				

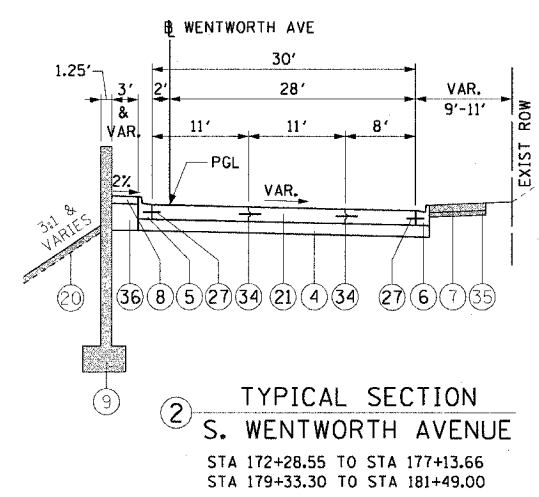
62809



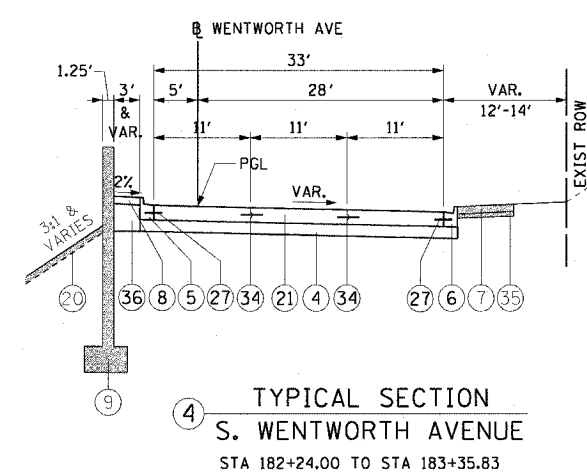
1 TYPICAL SECTION
S. WENTWORTH AVENUE
STA 171+33.51 TO STA 172+28.55
STA 177+13.66 TO STA 179+33.30



3 TYPICAL SECTION
S. WENTWORTH AVENUE
STA 181+49.00 TO STA 182+24.00



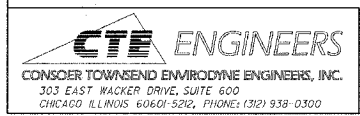
2 TYPICAL SECTION
S. WENTWORTH AVENUE
STA 172+28.55 TO STA 177+13.66
STA 179+33.30 TO STA 181+49.00



4 TYPICAL SECTION
S. WENTWORTH AVENUE
STA 182+24.00 TO STA 183+35.83

PROPOSED LEGEND:

- 4 SUB-BASE GRANULAR MATERIAL, TYPE B, 8"
 - 5 COMBINATION CONCRETE CURB AND GUTTER, TYPE B-6.12 (MODIFIED)
 - 6 COMBINATION CONCRETE CURB AND GUTTER, TYPE B-V.12
 - 7 PORTLAND CEMENT CONCRETE SIDEWALK, 5" (BY OTHERS)
 - 8 CONCRETE MEDIAN SURFACE, 5" (MODIFIED)
 - 9 RETAINING WALL / MSE WALL WITH MOMENT SLAB (BY OTHERS)
 - 20 SEEDING, CLASS 2A / TOPSOIL FURNISH AND PLACE, 4" (BY OTHERS)
 - 21 PORTLAND CEMENT CONCRETE PAVEMENT, 10" (JOINTED)
 - 27 TIE BARS - 24" LONG, #6 EPOXY COATED BARS AT 24" CENTERS
 - 34 KEYED LONGITUDINAL CONSTRUCTION JOINT - 24" LONG, #6 EPOXY COATED DEFORMED TIE BARS AT 24" CENTERS
 - 35 SAND CUSHION, 3" (BY OTHERS)
 - 36 POROUS GRANULAR EMBANKMENT (SEE DETAIL ON SHEET NO. 40)
- WORK TO BE DONE BY OTHERS



REVISIONS	
NAME	DATE

ILLINOIS DEPARTMENT OF TRANSPORTATION
F.A.I. 90/94 (DAN RYAN EXPRESSWAY)
53rd ST TO 51st ST (WENTWORTH AVENUE)

PROPOSED TYPICAL SECTIONS
WENTWORTH AVENUE

SCALE: H:1"=10' V:1"=5'
DATE: DECEMBER 17, 2004

DRAWN BY: AMM
CHECKED BY: JAL

12/09/2004 10:00:23 AM