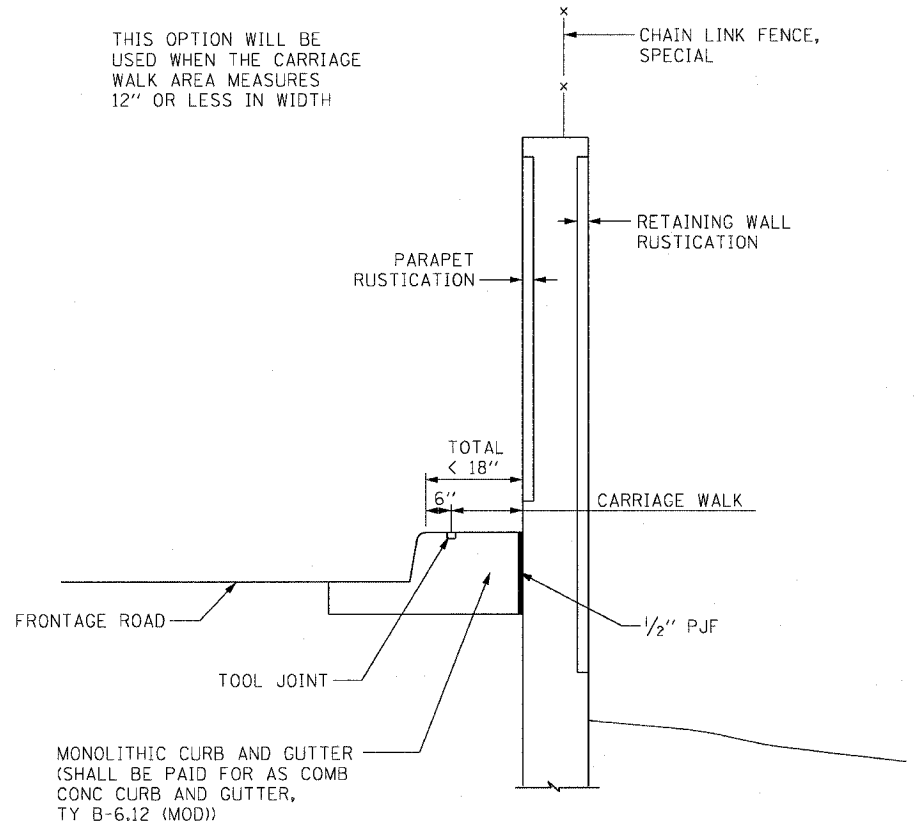
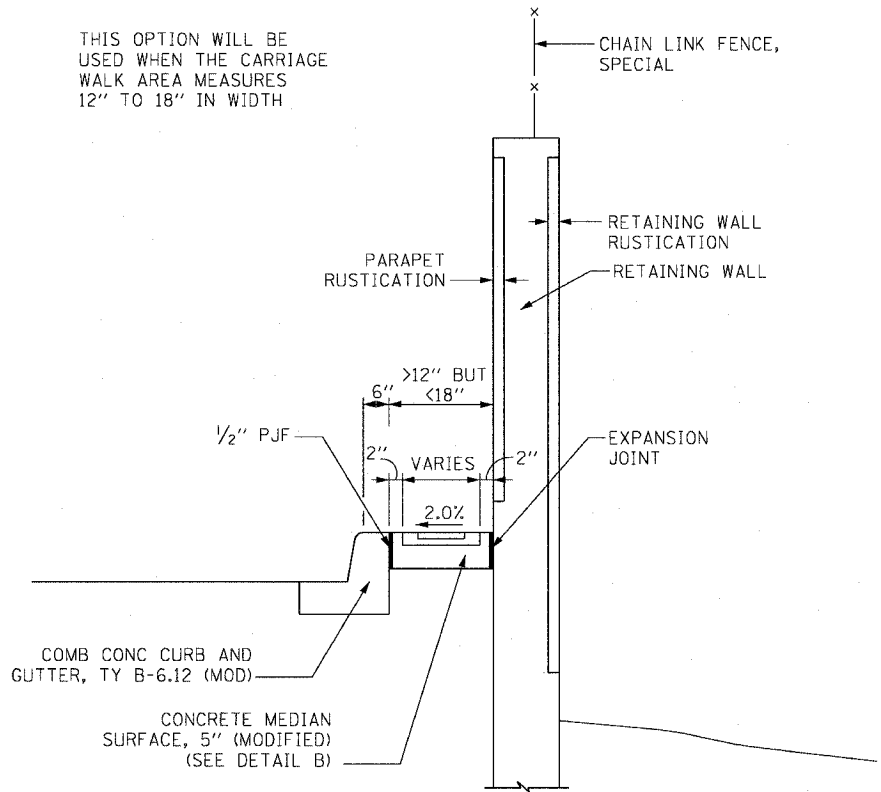


F.A.I. R.T.E.	SECTION	COUNTY	TOTAL SHEETS	SHEET NO.
90/94	2004-072RS	COOK	54	35
STA.	TO STA.			
FED. ROAD DIST. NO. 1 ILLINOIS FED. AID PROJECT				

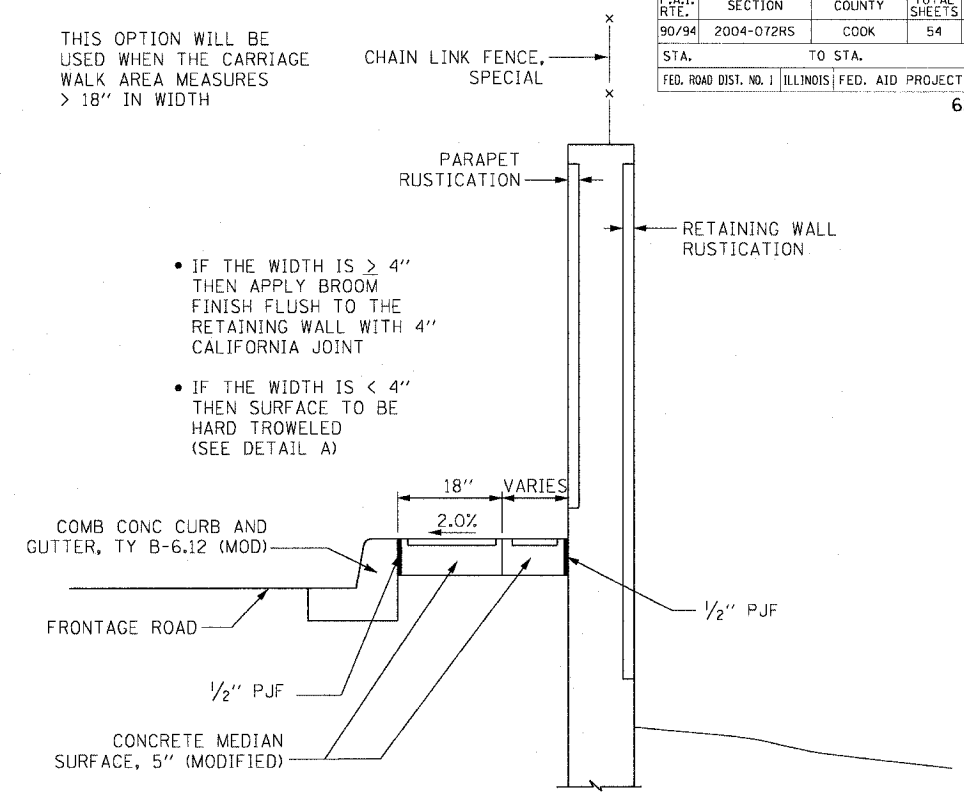
62811



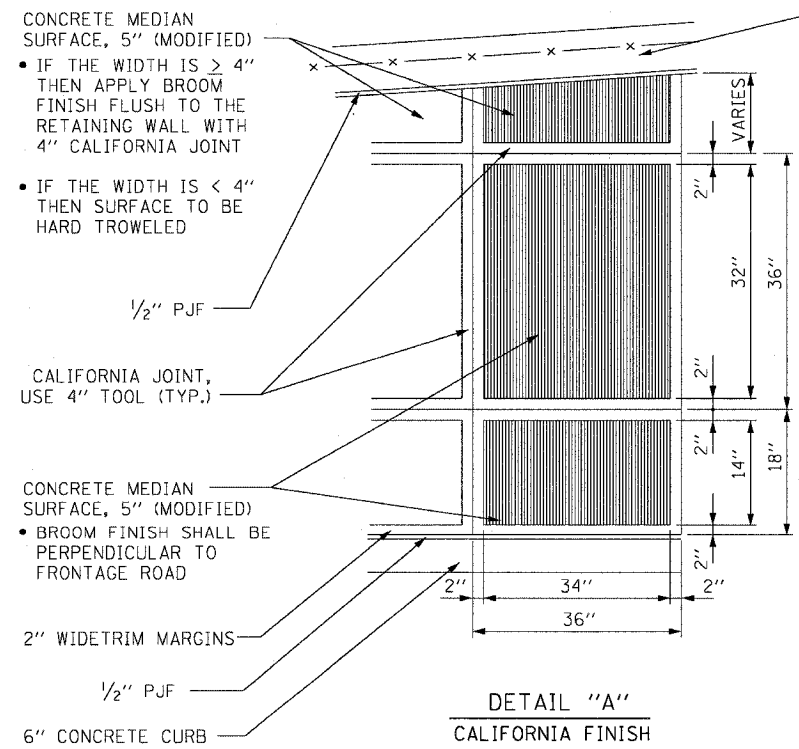
CARRIAGE WALK  
AREA < 12" WIDE



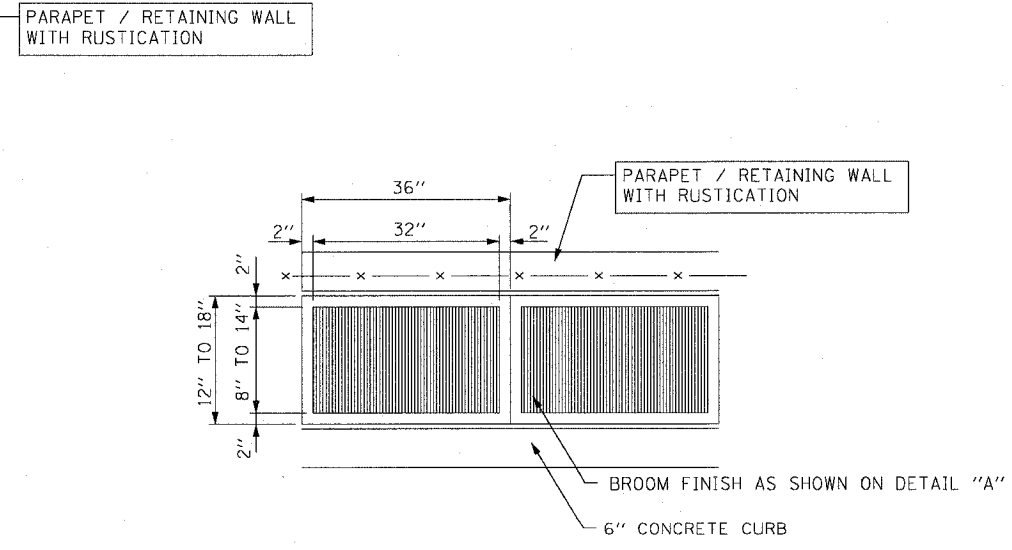
CARRIAGE WALK  
AREA 12" TO 18" WIDE



CARRIAGE WALK  
AREA > 18" WIDE



DETAIL "A"  
CALIFORNIA FINISH



DETAIL "B"  
CALIFORNIA FINISH

**CTE ENGINEERS**  
CONSOER TOWNSEND ENVIRONMENTAL ENGINEERS, INC.  
303 EAST WACKER DRIVE, SUITE 600  
CHICAGO, ILLINOIS 60601-5202, PHONE: (312) 938-0300

REVISIONS	
NAME	DATE

ILLINOIS DEPARTMENT OF TRANSPORTATION  
F.A.I. 90/94 (DAN RYAN EXPRESSWAY)  
51st ST TO 48th PL (WENTWORTH AVENUE)  
**ROADWAY DETAILS**  
CONCRETE MEDIAN SURFACE, 5" (MODIFIED)  
CARRIAGE WALK AND CALIFORNIA FINISH DETAIL  
SCALE: NONE  
DATE: December 17, 2004  
DRAWN BY: PHP  
CHECKED BY: NJH

12/17/2004 10:34:01 AM