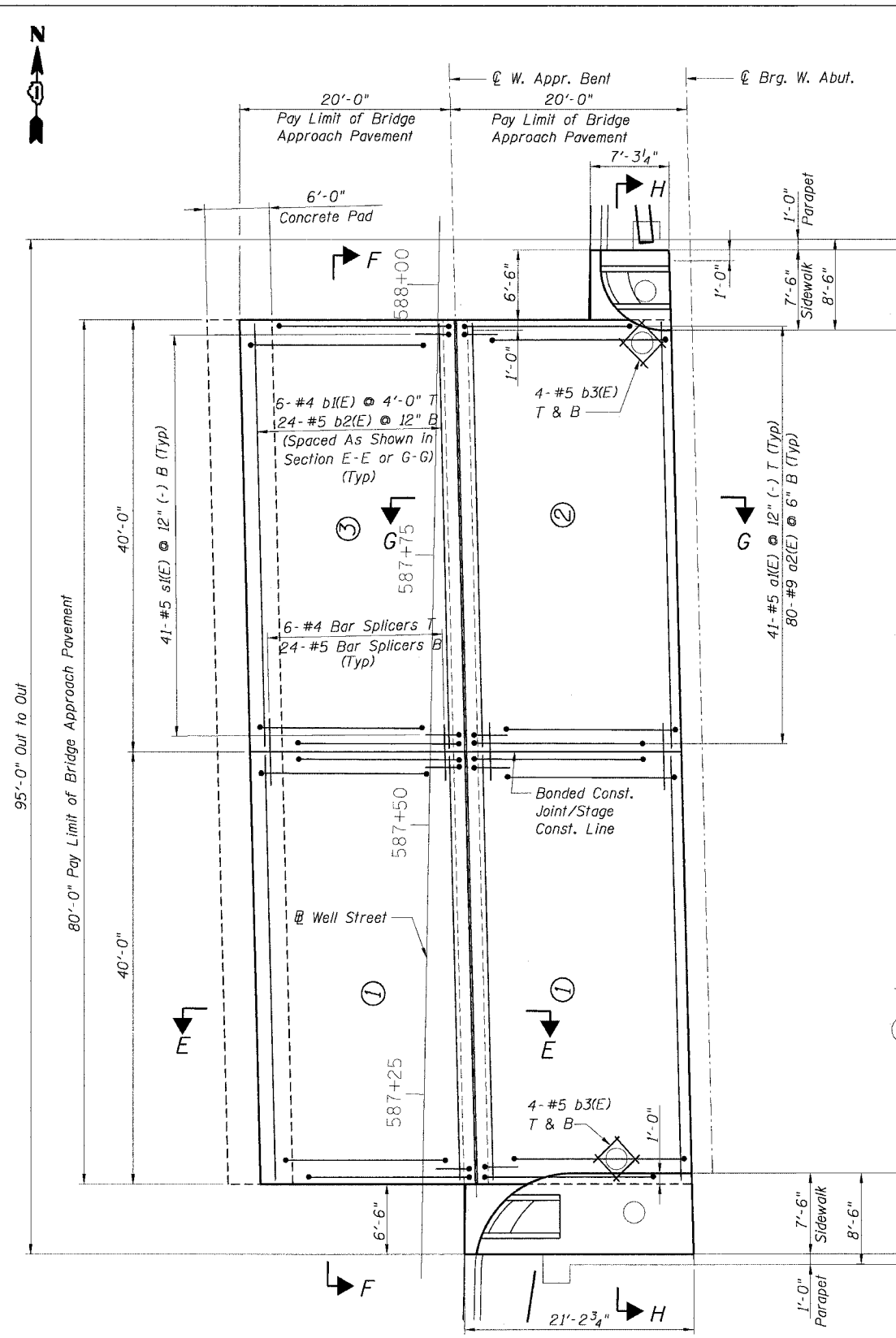
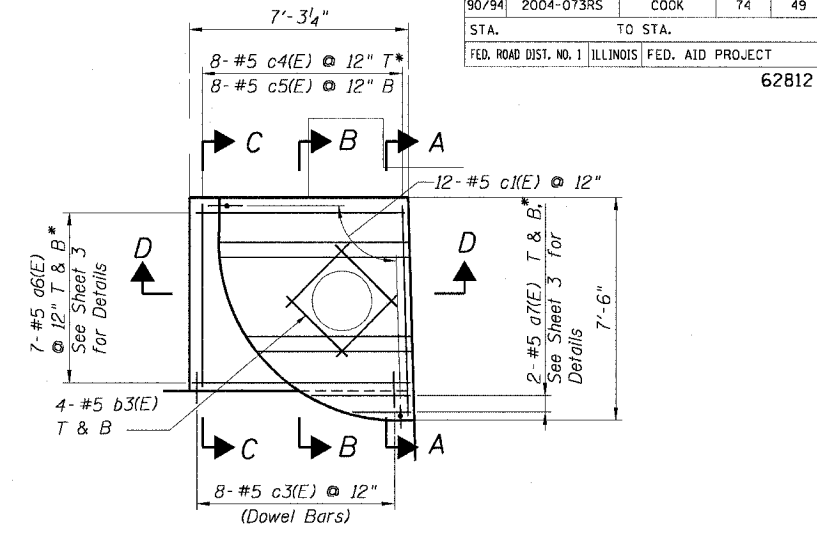


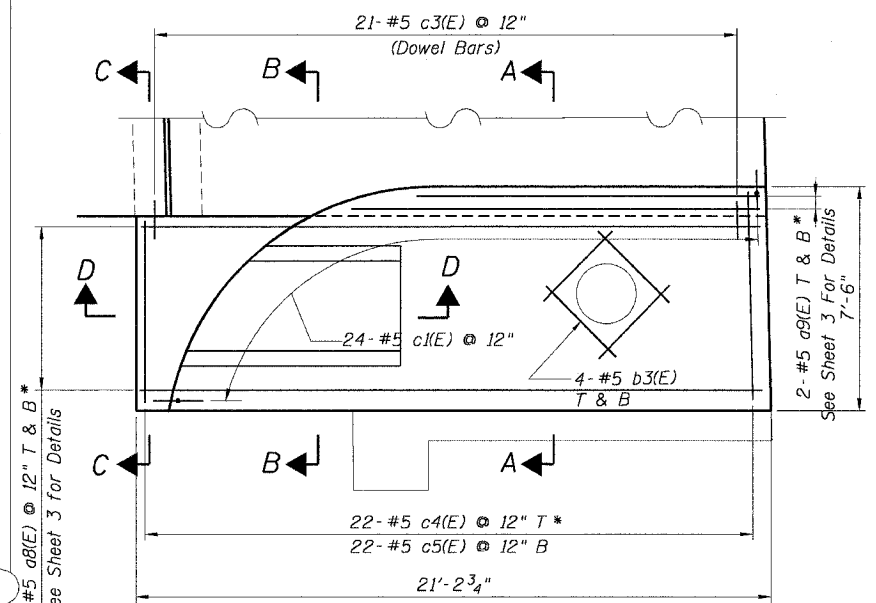
WEST APPROACH REMOVAL PLAN



WEST APPROACH REPLACEMENT PLAN



NORTH SIDEWALK



SOUTH SIDEWALK

NOTES:

- * Cut/bend to fit in field
- 1. See Sheet 3 for Sections A-A, B-B, C-C & D-D. See Sheet 4 for Section F-F, G-G & H-H. See Sheet 5 for Section E-E.
- 2. Reinforcement bars designated "E" shall be epoxy coated.
- 3. ①, ②, ③ indicates the pouring sequence.
- 4. Space or cut reinforcement in field to miss manhole frame and grate.

REVISIONS	
NAME	DATE

ILLINOIS DEPARTMENT OF TRANSPORTATION
 F.A.I. 90/94 (DAN RYAN EXPRESSWAY)
 51st ST (WENTWORTH AVE AND WELLS ST)
APPROACH PAVEMENT
 GENERAL PLAN AND SECTIONS
 51ST STREET BRIDGE
 STRUCTURE NUMBER 016-1157

SCALE: NONE DRAWN BY: GC
 DATE: December 23, 2004 CHECKED BY: SS

m:\p40468\01\N4-ent\Road-ent\Road-ent\51st street details\010202-51st