

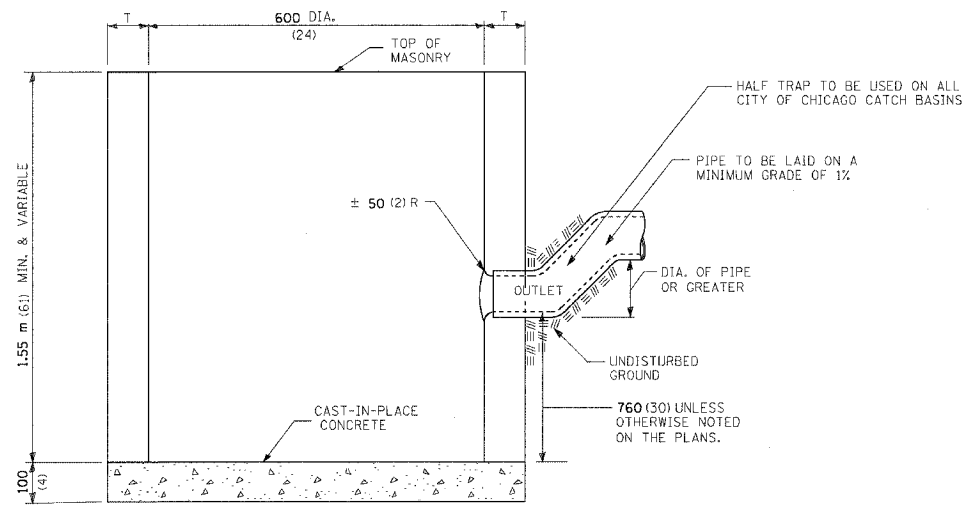
STORM SEWER PLUG

NOTES:

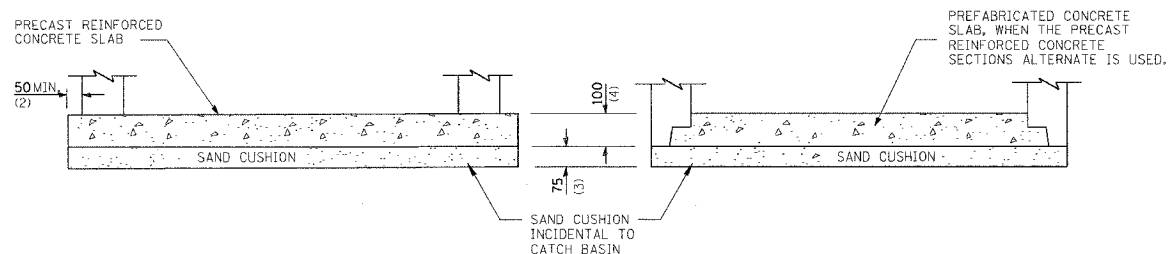
- THIS WORK CONSISTS OF FURNISHING AND PLACING BRICKS AND MORTAR AS SHOWN AND AS DIRECTED BY THE ENGINEER AT LOCATIONS SHOWN IN THE PLANS TO PLUG STORM SEWERS.
- THIS WORK SHALL BE CONSIDERED AS INCLUDED IN THE CONTRACT UNIT PRICE BID FOR THE STORM SEWER ITEMS.

CATCH BASIN, TYPE C, 2' DIAMETER, TYPE 1 FRAME, OPEN LID (CITY OF CHICAGO)

ALTERNATE MATERIALS FOR WALLS	T (MIN)
PRECAST REINFORCED CONCRETE SECTION	75 (3)
CONCRETE MASONRY UNIT	125 (5)
CAST-IN-PLACE CONCRETE	150 (6)
BRICK MASONRY	200 (8)

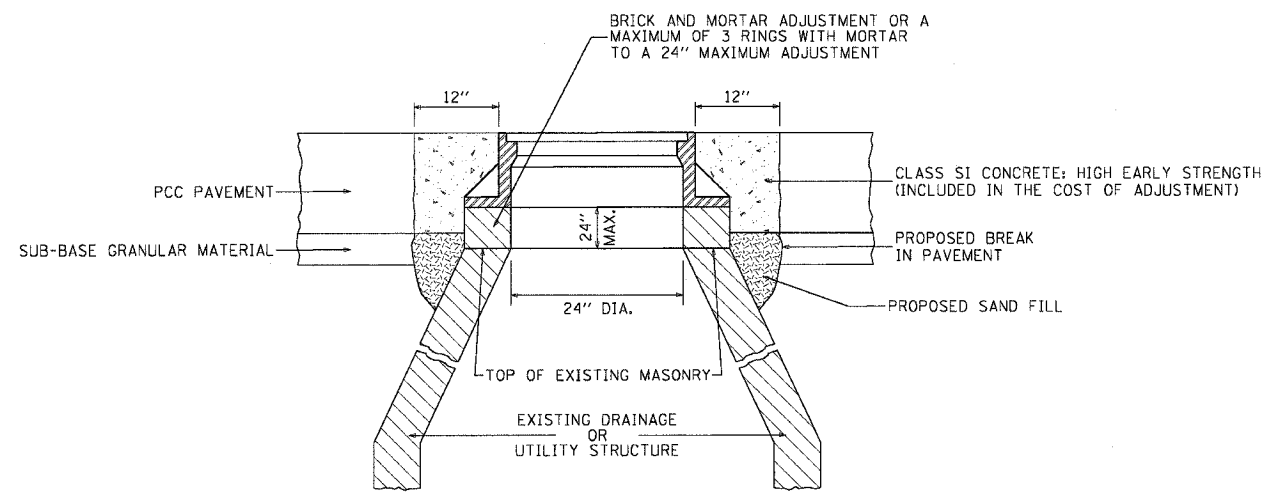


ELEVATION



ALTERNATE BOTTOM SLAB

ALL DIMENSIONS ARE IN MILLIMETERS (INCHES) UNLESS OTHERWISE SHOWN.



NOTE:
IF THE ADJUSTMENT EXCEEDS A 24\"/>

DETAIL OF TYPE I FRAME ADJUSTMENT

REVISIONS	
NAME	DATE

12/14/2004 4:55:43 PM