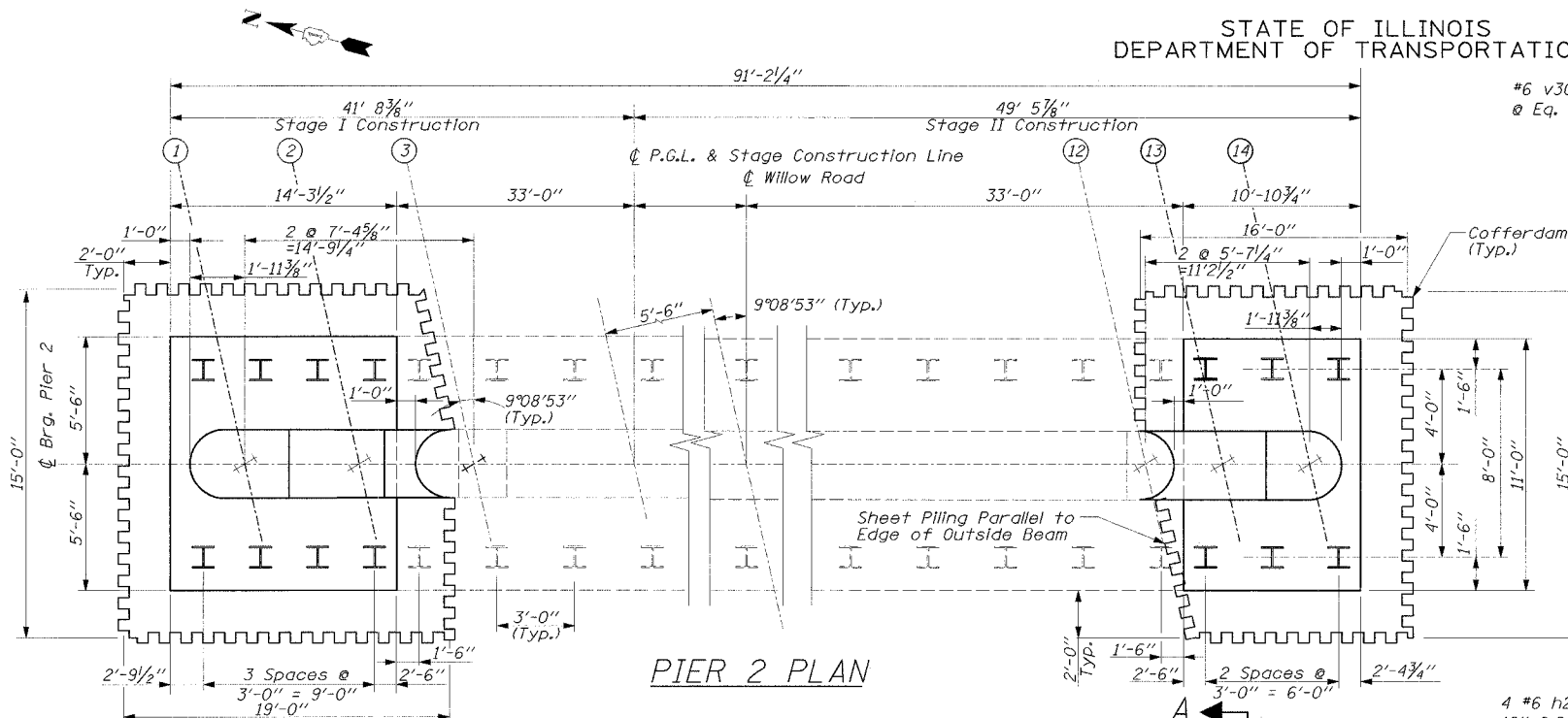


STATE OF ILLINOIS
DEPARTMENT OF TRANSPORTATION

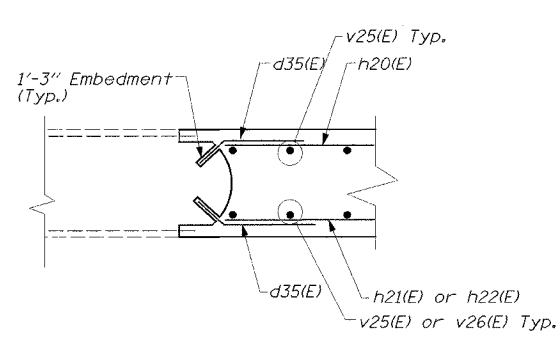
CONTRACT 62829

P.A.L. R.T.C. NO.	SECTION	COUNTY	TOTAL SHEETS	SHEET NO.
305	2004-088B	COOK	145	111
FED. ROAD DIST. NO. 1	DISTRICT	FED. AID PROJECT		

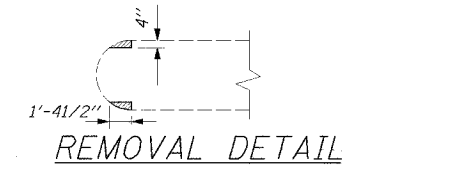
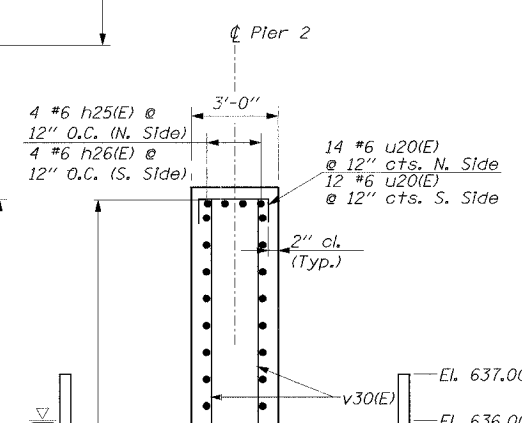
SHEET NO. SB-28
OF SHEETS SB-44



SECTION B-B



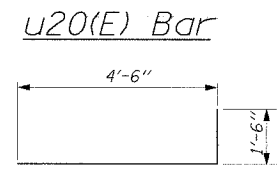
SECTION C-C



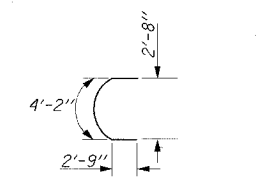
ANCHOR BOLT LAYOUT PLAN (Typ. at all Beams)

BILL OF MATERIAL

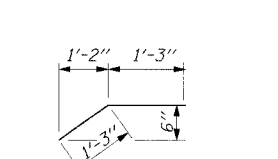
Bar	No	Size	Length	Shape
d35(E)	102	#6	2'-6"	—
d36(E)	44	#6	2'-6"	—
h25(E)	70	#6	14'-0"	—
h26(E)	64	#6	10'-9"	—
s5(E)	51	#6	9'-8"	⊂
#10(E)	26	#6	10'-6"	—
u20(E)	26	#6	4'-8"	⌊
v30(E)	32	#6	25'-6"	—
v31(E)	50	#6	6'-0"	—
v32(E)	24	#6	23'-7"	—
Reinforcement Bars, Epoxy Coated				Lbs. 6920
Concrete Structures				Cu. Yd. 110
Furnishing Steel Piles HP 12x53			Foot 267	
Test Pile Steel HP12x53			Each 1	
Driving Steel Piles			Foot 267	



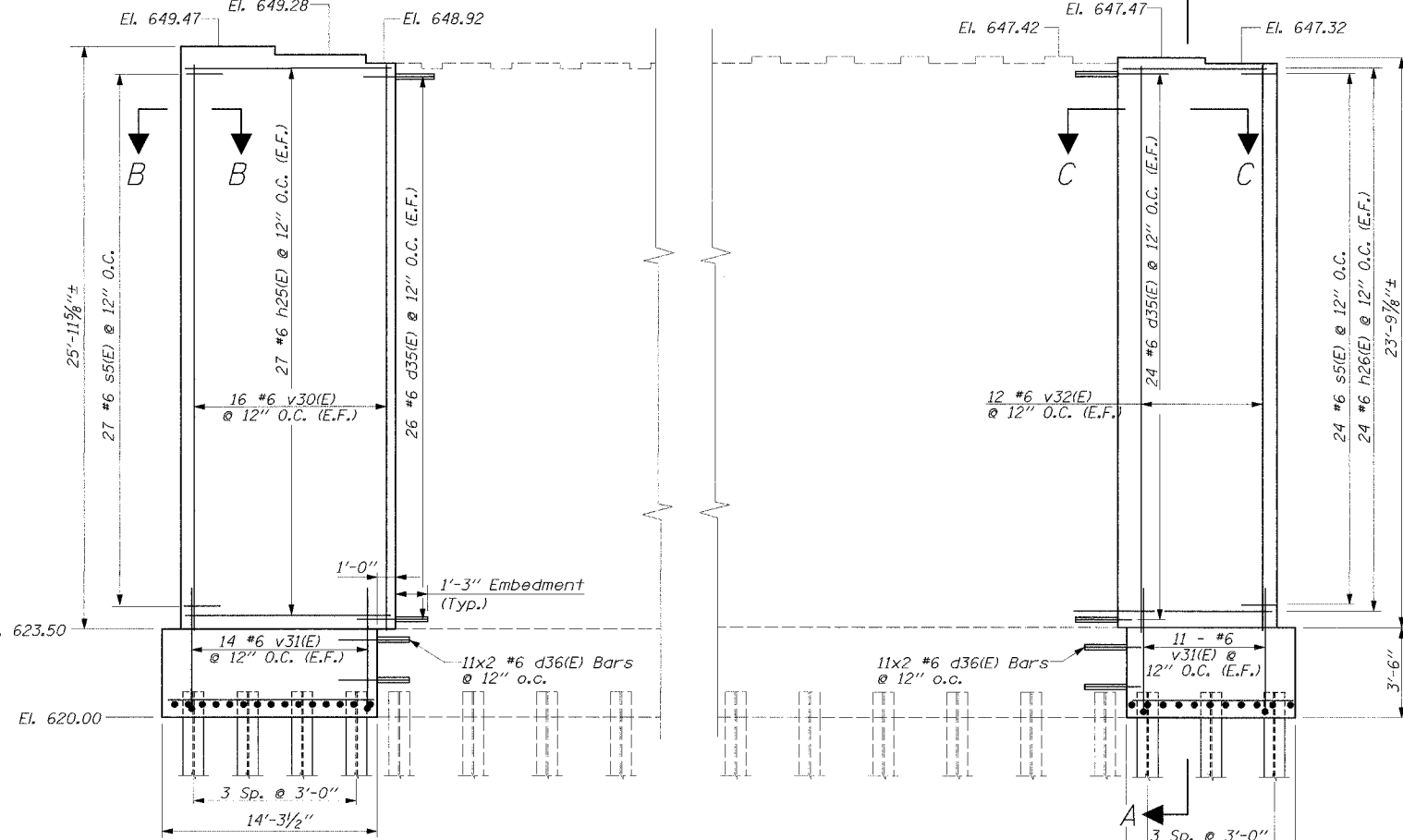
v31(E) Bar



s5(E) Bar



d35(E) Bar



SECTION A-A



PILE DATA

Type = HP12x53
Capacity = 30 Ton
Driven to 45 Ton Bearing
Drive test pile to 55 Ton bearing
Est Length = 19' North end
23' South End
No. Req'd = 14 (Including 1 Test Pile)

PIER 2
WILLOW ROAD OVER
DES PLAINES RIVER
F.A.P. RTE. 305
SECTION 2004-088B
COOK COUNTY
STA. 397+76.18
STR. NO. 016-0530

EDWARDS AND KELCEY

NOTES:

- Epoxy grout d35(E) and d36(E) bars in drilled holes according to Article 584 of the Standard Specifications. Space drilled holes to miss existing reinforcement.
- A water surface elevation of 636.00 will be the basis for the cofferdam design. It is the Contractor's responsibility to provide a design and computations for the cofferdam, including sheet piling, wales and bracing, verification of seal coat shown, and other required appurtenances, subject to the approval of the Engineer.
- Space reinforcement in cap to miss anchor bolts.
- Pour steps monolithically with cap.

DESIGNED	EL
CHECKED	JAS
DRAWN	ABW
CHECKED	EL