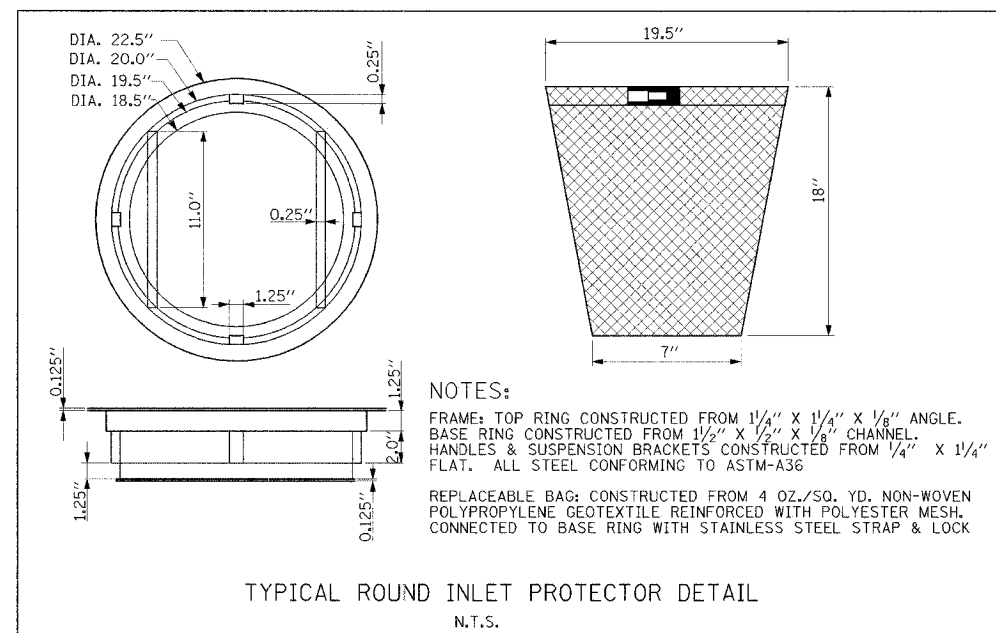


CONTRACT 62829	F.A.P. RTE.	SECTION	COUNTY	TOTAL SHEETS	SHEET NO.
	305	2004-088B	COOK	145	35
STA.		TO STA.			



TYPICAL ROUND INLET PROTECTOR DETAIL
N.T.S.

ERO-2

Edwards AND Kelcey		ILLINOIS DEPARTMENT OF TRANSPORTATION	
REVISIONS		TYPICAL ROUND INLET PROTECTOR DETAIL	
NAME	DATE	WILLOW ROAD OVER US 45/IL 21 (MILWAUKEE AVE) AND OVER DES PLAINES RIVER	
		DRAWN BY CADD	
		CHECKED BY PJM	
		DATE JANUARY 2005	

0 50' 100'
 DATE JANUARY 2005

2/27/2004 02:55:25 PM