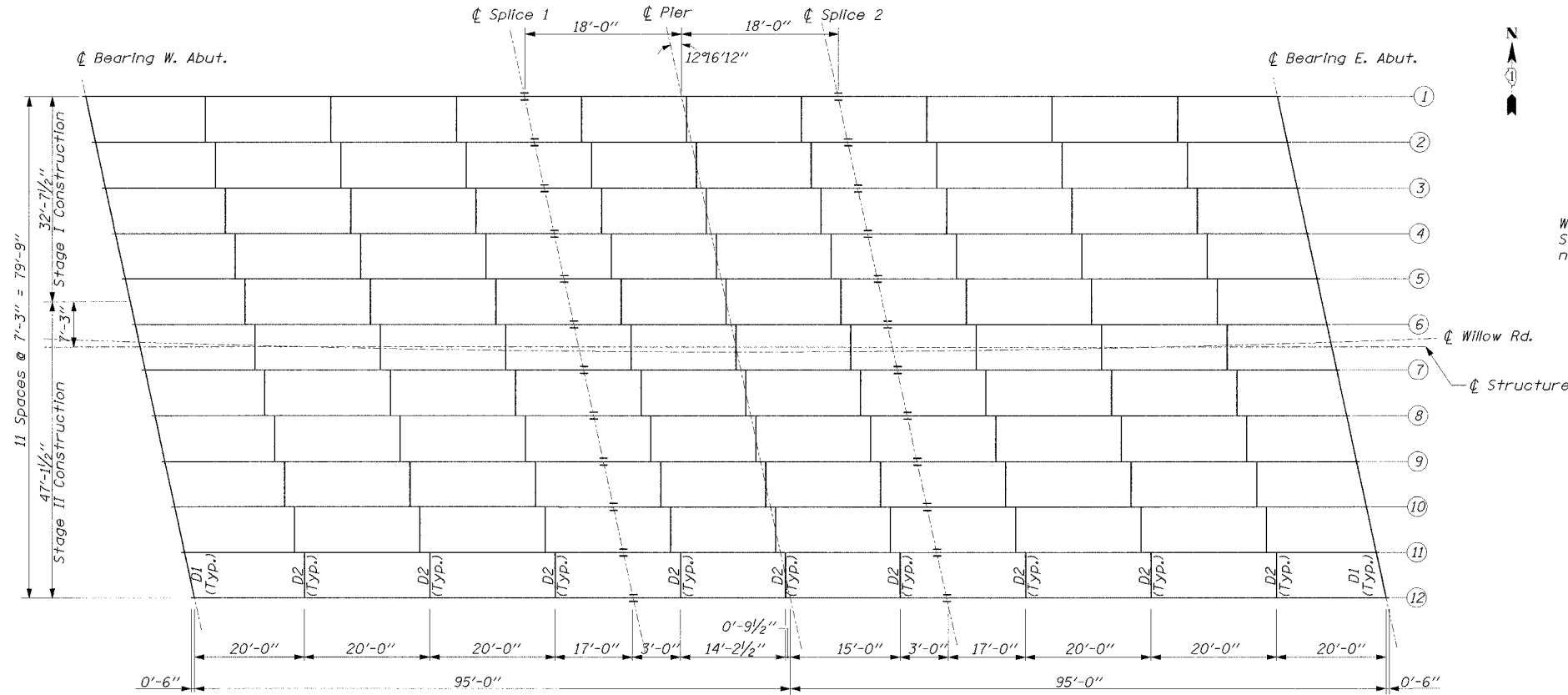


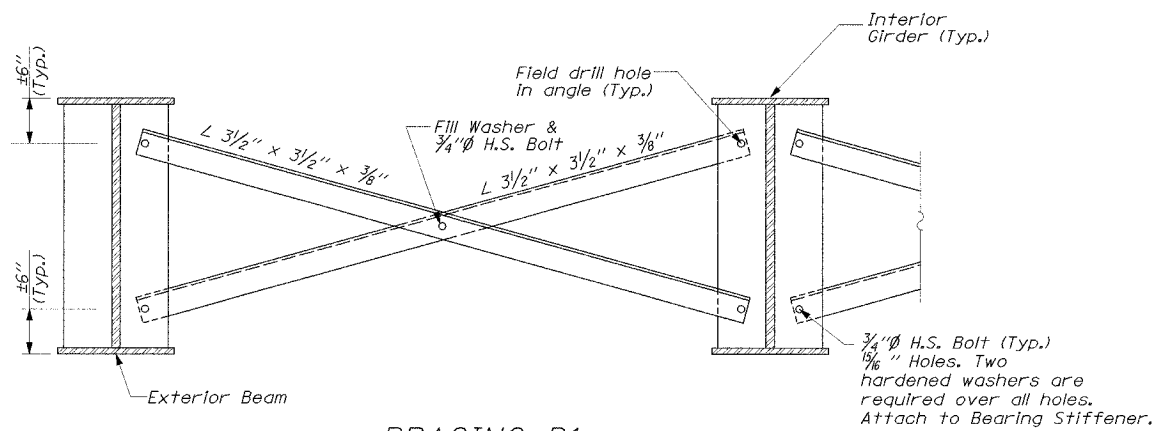
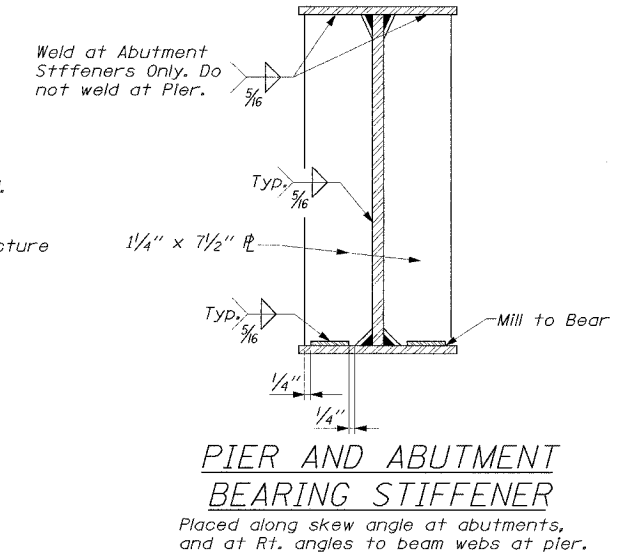
STATE OF ILLINOIS  
DEPARTMENT OF TRANSPORTATION

CONTRACT 62829	F.A.P. RTE. NO.	SECTION	COUNTY	TOTAL SHEETS	SHEET NO.
	305	2004-088B	COOK	145	64
	FED. ROAD DIST. NO. 1	ILLINOIS	FED. AID PROJECT-		

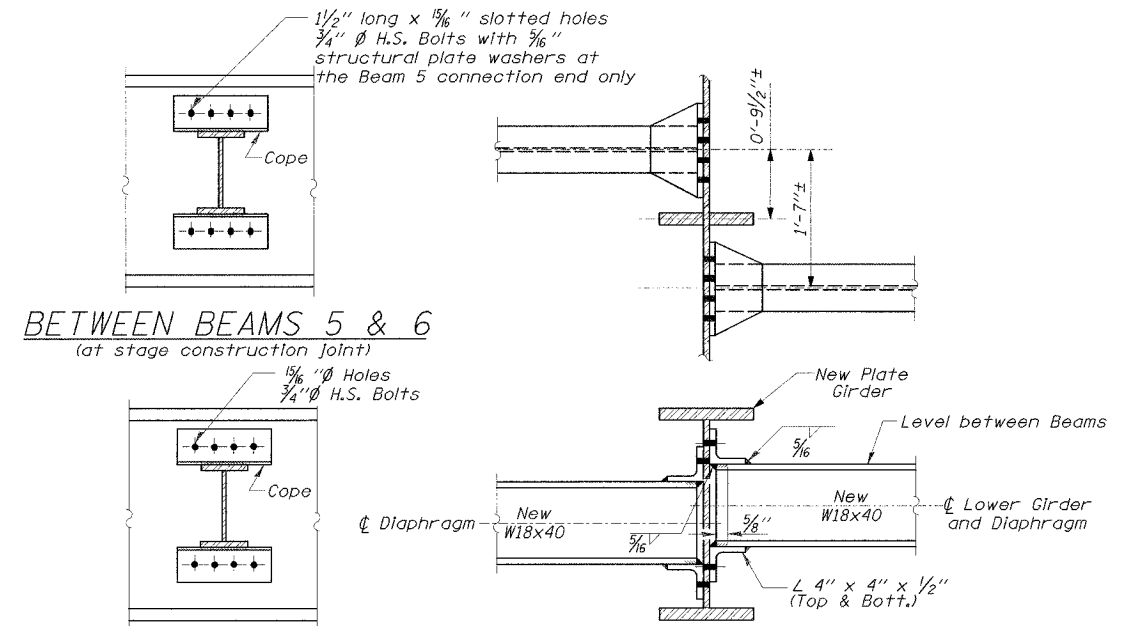
SHEET NO. SA-11  
OF SHEETS SA-30



FRAMING PLAN



BRACING D1



BETWEEN BEAMS 5 & 6  
(at stage construction joint)

INTERIOR DIAPHRAGM D2  
(Shown over pier, other locations similar)

NOTE:

- Two hardened washers shall be required over all oversize holes for diaphragms.
- Diaphragms and Bracing Steel shall be Gr. 36.
- Structural Steel Furnished under Beam and Bearing Fabrication Contract 62851.

DESIGNED	AJN
CHECKED	JAP
DRAWN	ABW
CHECKED	EL

FRAMING PLAN  
WILLOW ROAD OVER  
MILWAUKEE AVENUE  
(IL RTE. 21/U.S. 45)  
F.A.P. RTE. 305  
SECTION 2004-088B  
COOK COUNTY  
STA. 391+71.02 @ WILLOW RD.  
STR. NO. 016-2786

EDWARDS AND KELCEY

12/28/2004 12:32 AM

F:\00000000\00000000\Structural\Mill\Drawings\SA-11.dwg