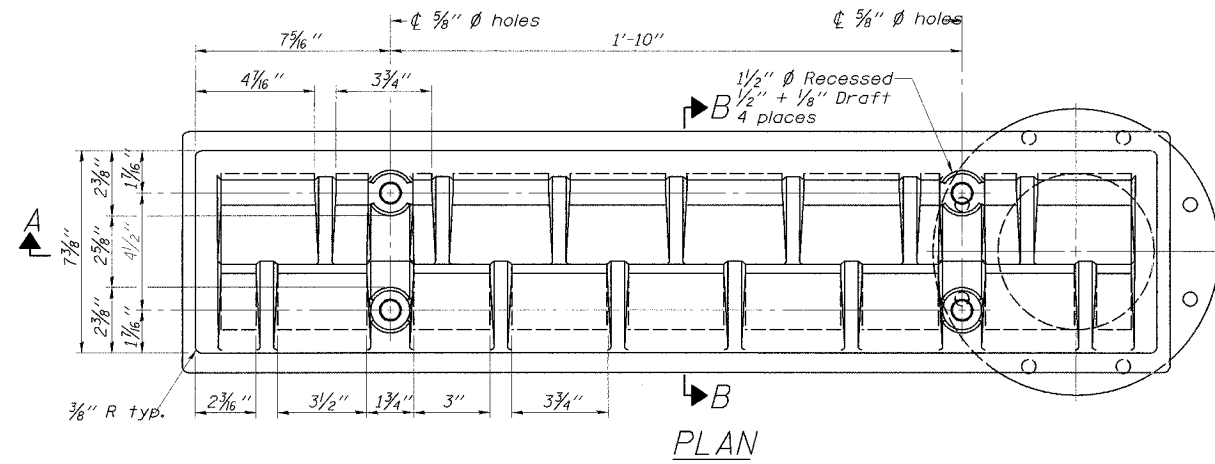
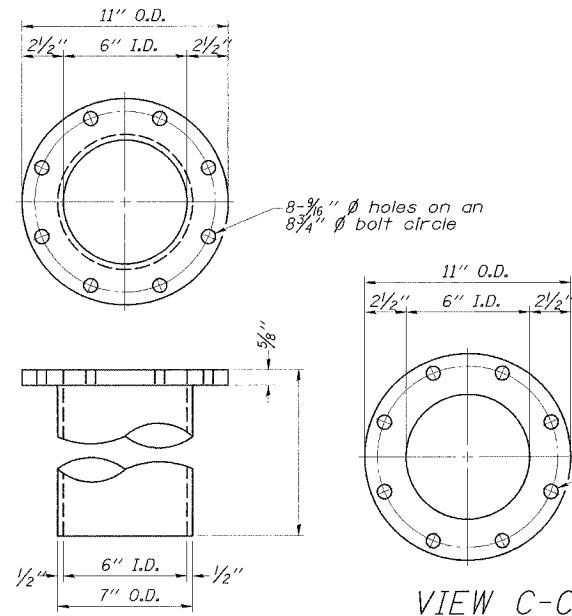


STATE OF ILLINOIS
DEPARTMENT OF TRANSPORTATION

CONTRACT 62829	F.A.P. RTE. NO.	SECTION	COUNTY	TOTAL SHEETS	SHEET NO.	SHEET NO. SA-22
	305	2004-088B	COOK	145	75	OF SHEETS SA-30
	FED. ROAD DIST. NO. 1	ILLINOIS	FED. AID PROJECT			

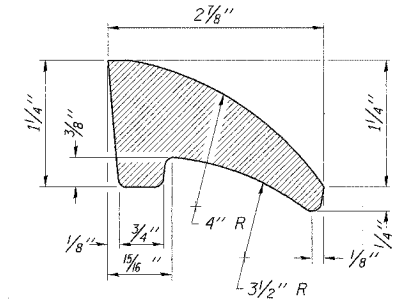


PLAN

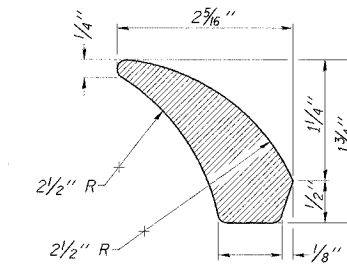


DOWNSPOUT

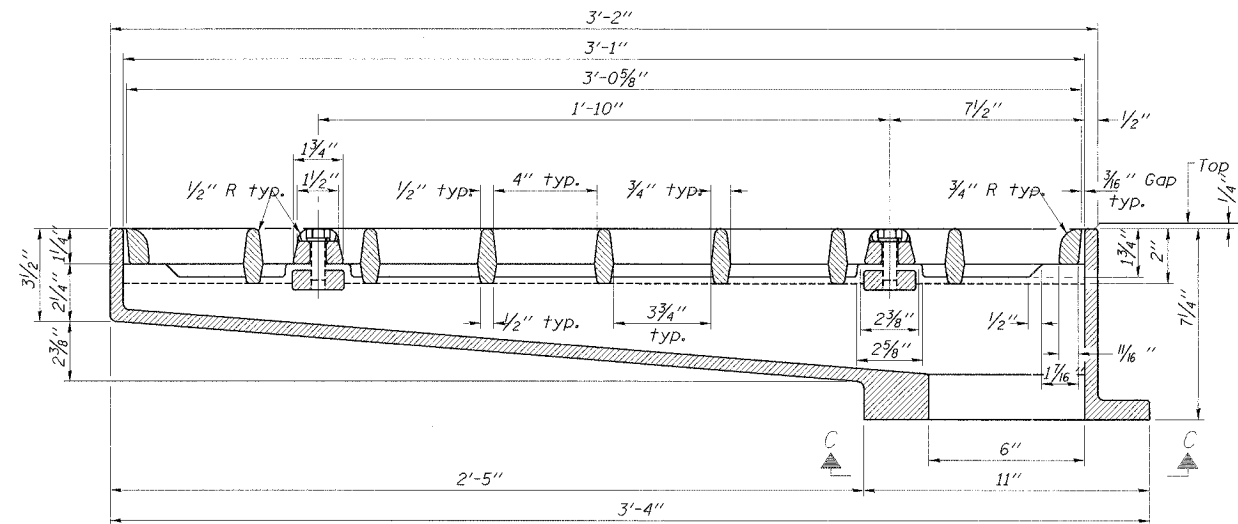
VIEW C-C



FIRST VANE DETAIL

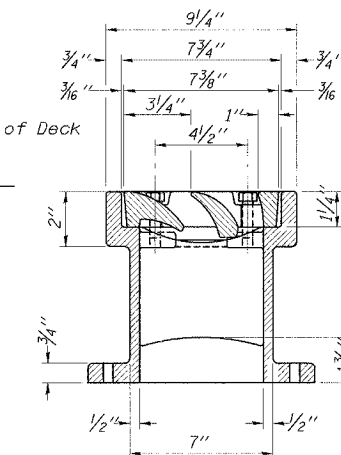


SECOND VANE DETAIL

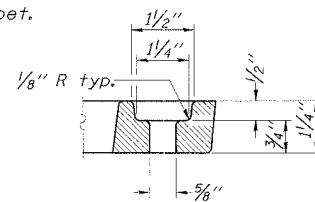


SECTION A-A

See sheet of for scupper location relative to parapet.



SECTION B-B



BOLT HOLE DETAIL

DRAINAGE SCUPPER, DS-33

NOTES:

- All cast iron parts shall be gray iron conforming to the requirements of AASHTO M 105, Class 35B.
- Bolts, anchor studs, washers and nuts shall conform to the requirements of ASTM A 307 and shall be galvanized according to AASHTO M 232.
- The grate, frame and downspout shall be galvanized according to AASHTO M 111 and ASTM A 385. Downspouts located on the exterior side of a painted steel fascia beam shall be painted with the finish coat specified for the exterior side of the fascia beam.
- As an alternate, bolts, anchor studs, washers and nuts may be stainless steel according to Article 1006.29(d) of the Standard Specifications.
- Structural steel weldments of equal sections and of the same steel configuration may be substituted for cast iron. Fillet or full penetration welds shall be used for the weldments. Details shall be submitted to the Engineer for approval.
- The Contractor shall take appropriate measures to assure that Protective Coat is not applied to the scupper.
- Cost of the Grate, Frame, Downspout, Anchor Studs, Bolts, Washers and Nuts including complete installation of the scupper shall be paid for at the contract unit price each for Drainage Scupper, DS-33.

BILL OF MATERIAL

ITEM	UNIT	QUANTITY
Drainage Scupper, DS-33	Each	4

DRAINAGE DETAILS
WILLOW ROAD OVER
MILWAUKEE AVENUE
(IL RTE. 21/U.S. 45)
F.A.P. RTE. 305
SECTION 2004-088B
COOK COUNTY
STA. 391+71.02 @ WILLOW RD.
STR. NO. 016-2786

EDWARDS AND KELCEY

DESIGNED	AJN
CHECKED	JAP
DRAWN	ABW
CHECKED	EL

F:\000019\2004\088B\Struct\Drawings\Millw\Proposed\Millw_22.dwg

12/29/2004 11:26:05 AM