

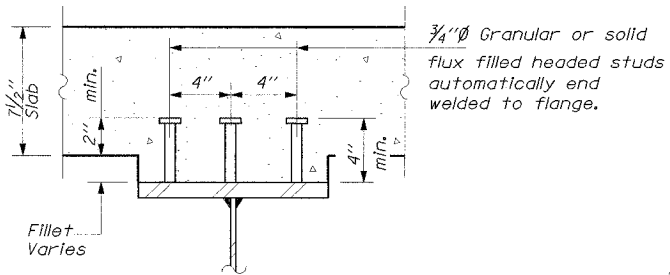
12/28/2004 4:52:00 AM

NOTES:

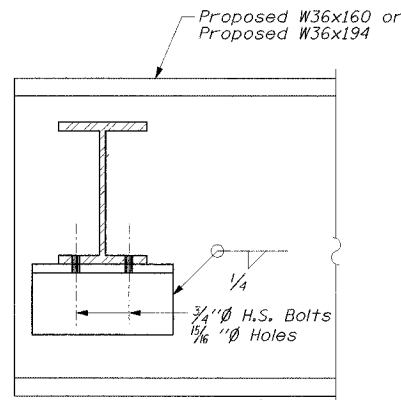
- Two hardened washers shall be required over all oversized holes for diaphragms.
- See Sheet No. SB-36 for anchor bolt installation. Anchor bolts at fixed bearings may be built into the masonry.
- N.T.R. refers to the supplemental requirements for notch toughness, Zone 2.
- *Eight New Bearing Stiffeners for the End Diaphragms at Existing Beams 3 and 12 and beams 7 and 8.
- Diaphragms, including all plates and angles have already been furnished under the Beam And Bearing Fabrication Contract 62851.

STATE OF ILLINOIS
DEPARTMENT OF TRANSPORTATION

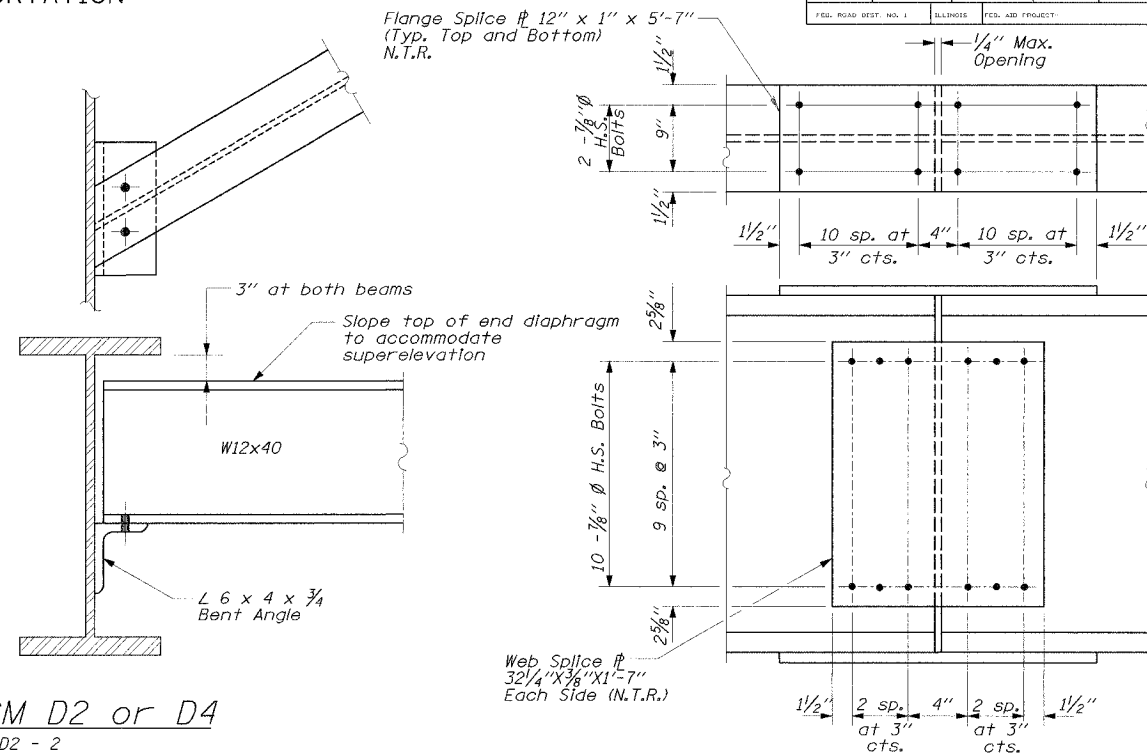
CONTRACT 62829	F.A.S. RATE NO.	SECTION	COUNTY	TOTAL SHEETS	SHEET NO.	SHEET NO. SB-15
	305	2004-088B	COOK	145	98	OF SHEETS SB-44
	FED. ROAD DIST. NO. 1	ILLINOIS	FED. AID PROJECT			



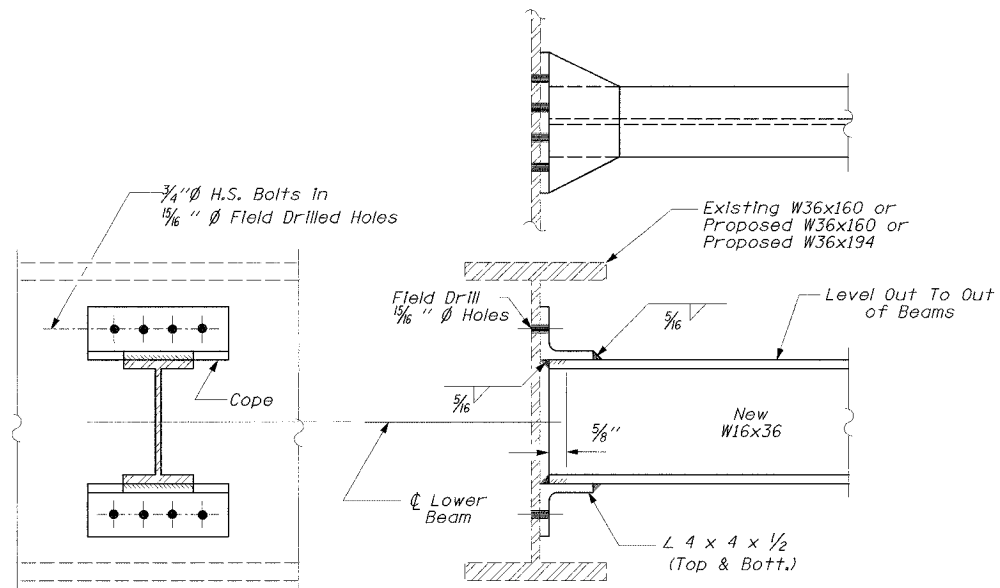
SECTION A-A
(No. Req'd: 12,438)



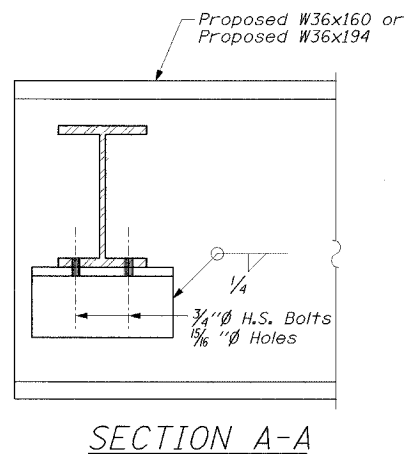
END DIAPHRAGM D2 or D4
No. Required D2 - 2
No. Required D4 - 2



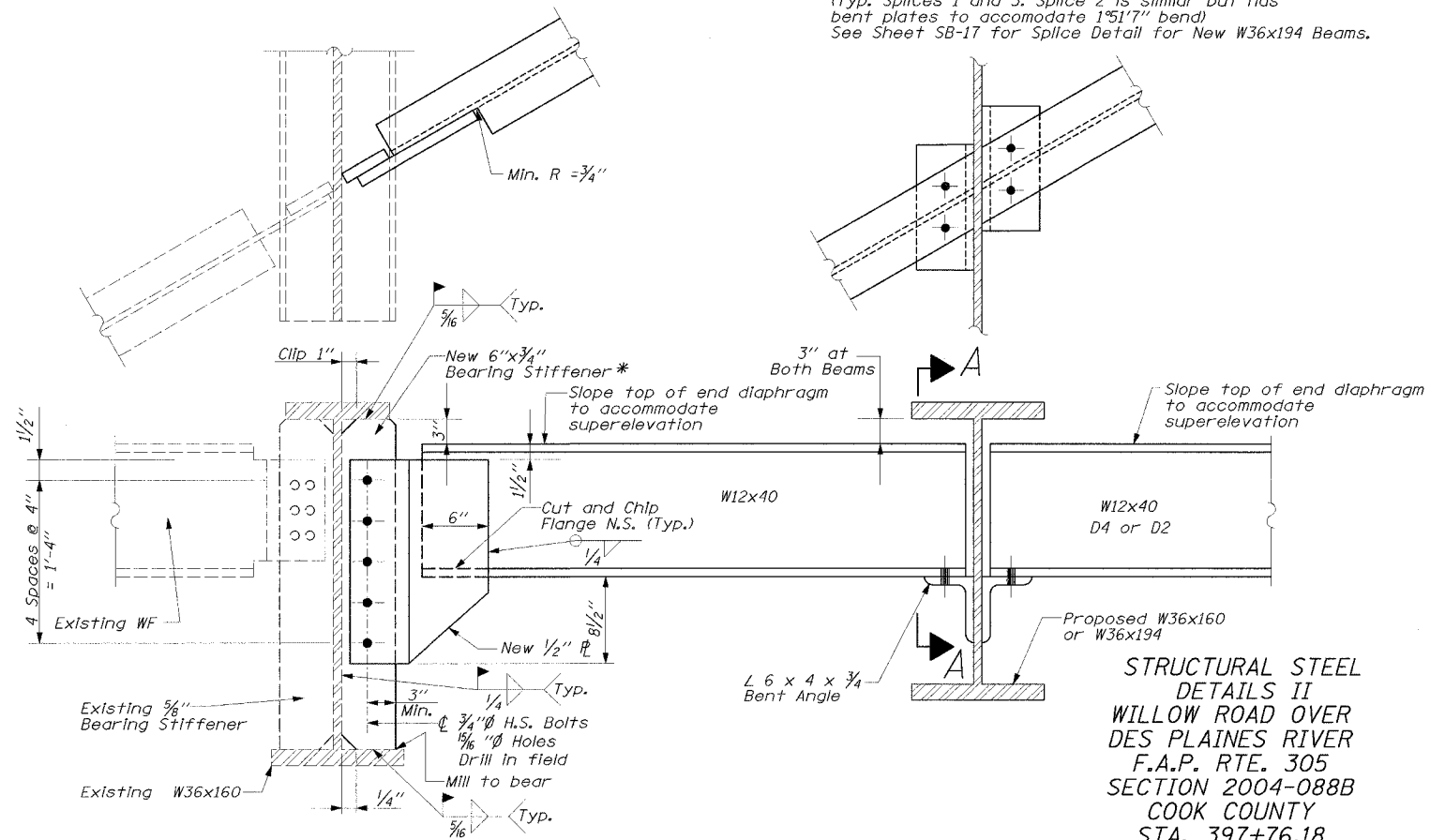
TYPICAL SPLICE AT NEW W36x160 BEAMS
(Typ. Splices 1 and 3. Splice 2 is similar but has bent plates to accommodate 1 5/16\"/>



INTERIOR DIAPHRAGM D3 or D5
No. Required D3 - 28
No. Required D5 - 30



SECTION A-A



END DIAPHRAGM D1 & D6
No. Required D1 - 2
No. Required D6 - 2

DESIGNED	EL
CHECKED	JAS
DRAWN	ABW
CHECKED	EL

**STRUCTURAL STEEL
DETAILS II
WILLOW ROAD OVER
DES PLAINES RIVER
F.A.P. RTE. 305
SECTION 2004-088B
COOK COUNTY
STA. 397+76.18
STR. NO. 016-0530**

EDWARDS AND KELCEY

P:\2004\09\04\4004\Advance Contract\AdvStructural\Use\Final\Title5.dwg