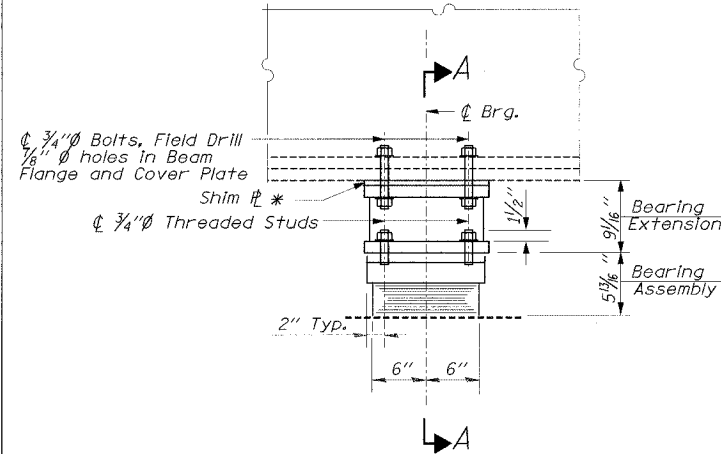
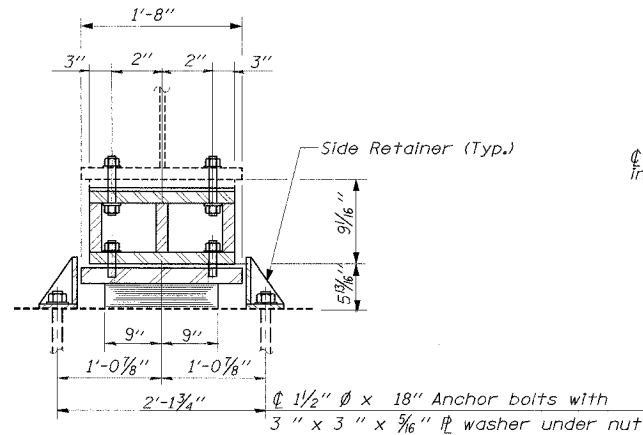


F.A.P. RTE. NO.	SECTION	COUNTY	TOTAL SHEETS	SHEET NO.
305	2004-0888	COOK	145	101
FED. ROAD DIST. NO. 1	ILLINOIS	FED. AID PROJECT		

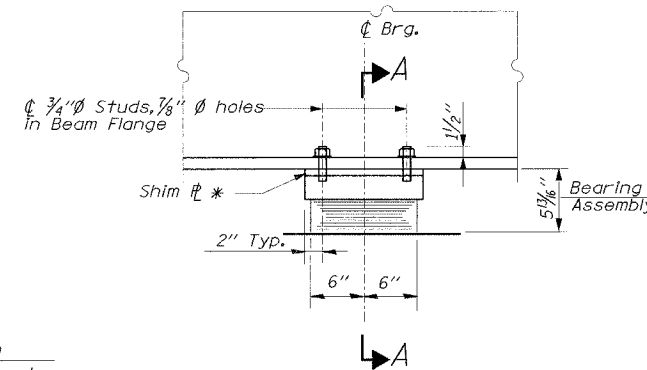


**ELEVATION AT PIERS 1 & 3
(EXISTING BEAMS)**

* Two $\frac{1}{8}$ " adjusting shims to be provided with each bearing. Placement location shown in case they are needed.

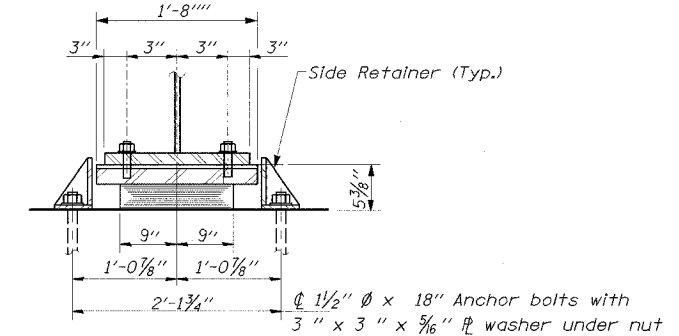


SECTION A-A

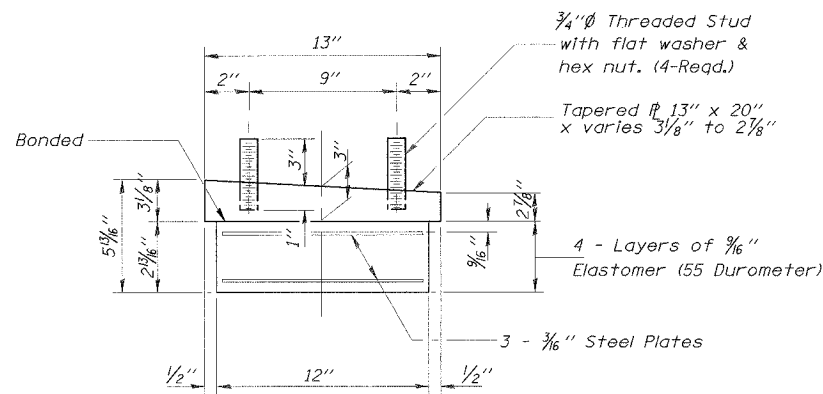


**ELEVATION AT PIERS 1 & 3
(PROPOSED BEAMS)**

* Two $\frac{1}{8}$ " adjusting shims to be provided with each bearing. Placement location shown in case they are needed.



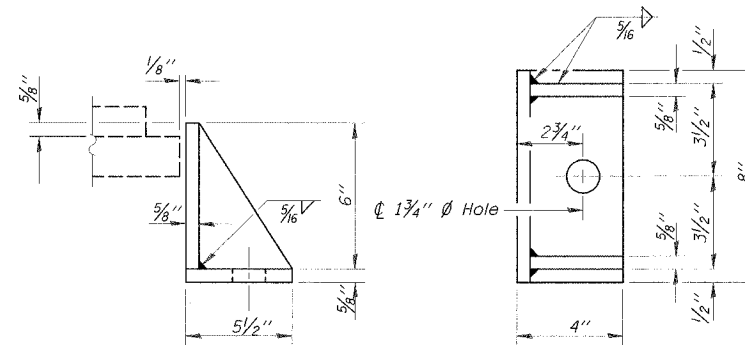
SECTION A-A



NOTE:

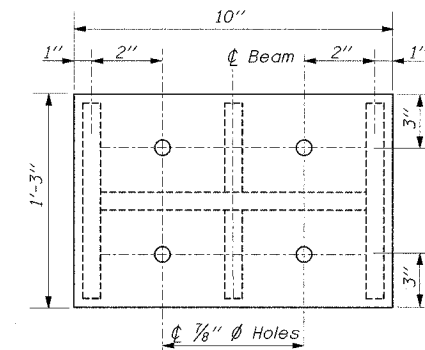
1. Shim plates shall not be placed under Bearing Assembly

BEARING ASSEMBLY

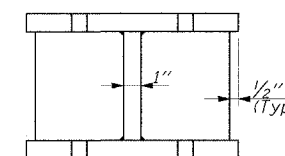


SIDE RETAINER

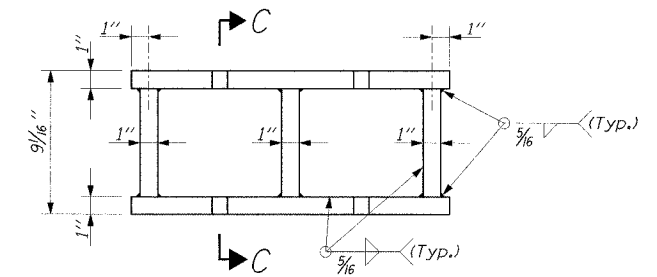
Equivalent rolled angle with stiffeners will be allowed in lieu of welded plates. Weight included with Structural Steel.



PLAN



SECTION C-C



ELEVATION

STEEL EXTENSION

(20 Required, Weight included with structural steel)

**TYPE I ELASTOMERIC EXPANSION
BEARING AT PIERS 1 & 3**

NOTES:

- Bearing Assemblies including shims and elastomeric neoprene leveling pads already furnished under Beam And Bearing Fabrication Contract 62851.
- Anchor Bolts to be furnished under this contract.

BILL OF MATERIAL

Item	Unit	Total
Erecting Elastomeric Bearing Assembly Type I	Each	28

BEARING DETAILS III
 WILLOW ROAD OVER
 DES PLAINES RIVER
 F.A.P. RTE. 305
 SECTION 2004-0888
 COOK COUNTY
 STA. 397+76.18
 STR. NO. 016-0530

EDWARDS AND KELCEY

DESIGNED	EL
CHECKED	JAS
DRAWN	ABW
CHECKED	EL

P:\00000000\2004\2004-0888\Contract\Adv\Structural\Adv\Structural\Draw\Plathea-Plan_S&A\des-plathea18.dwg
 01/27/2005 10:29:07 AM