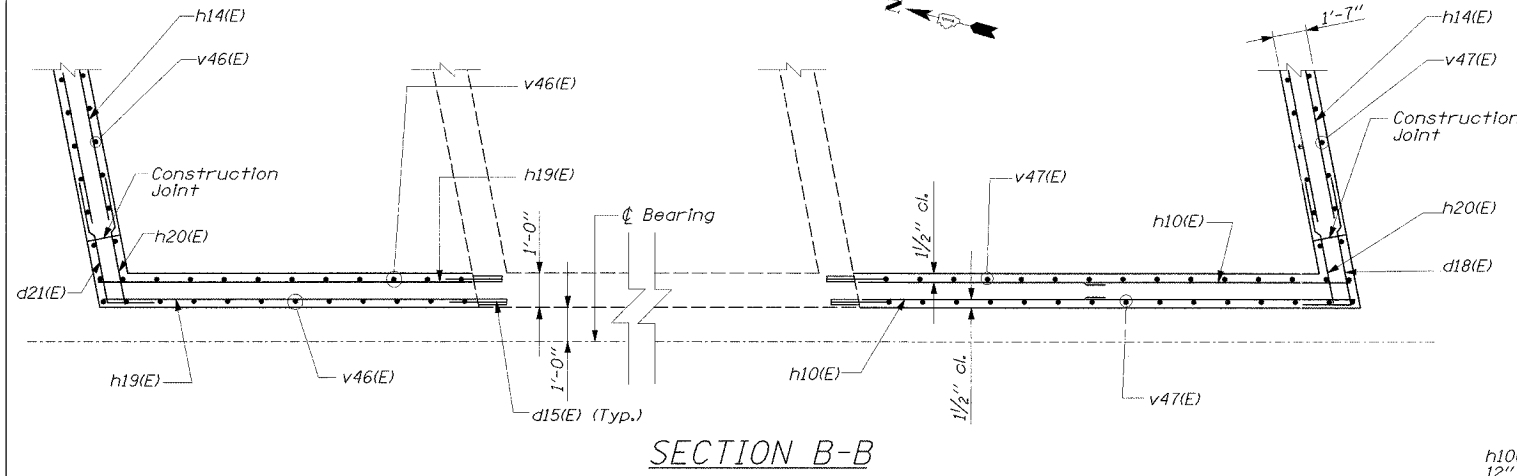
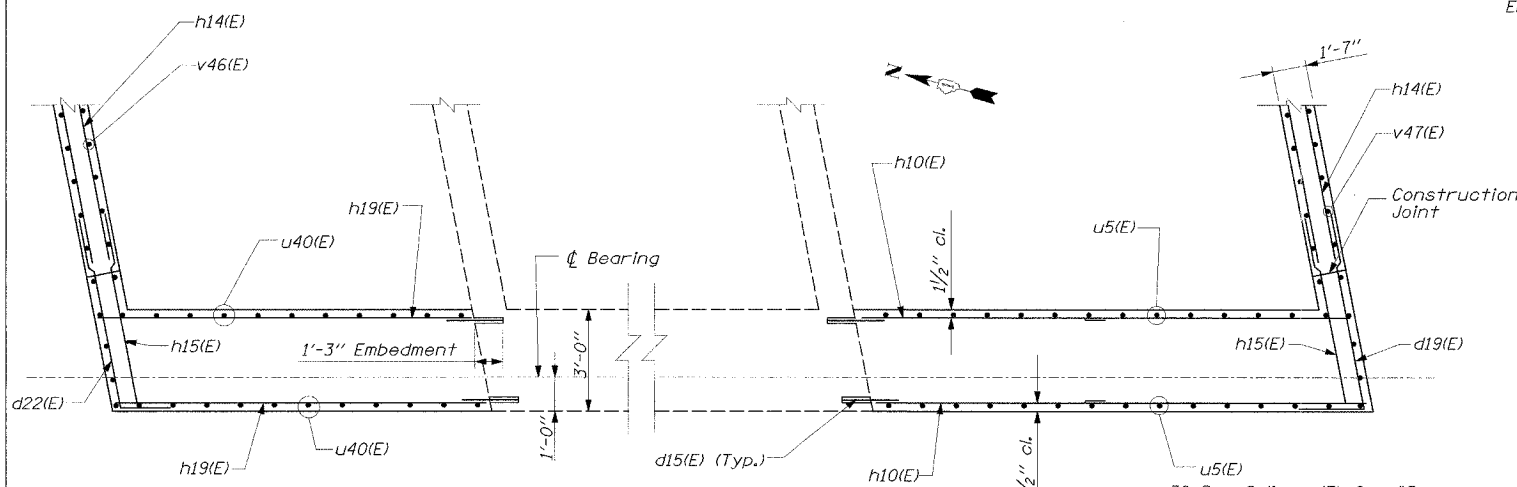


STATE OF ILLINOIS
DEPARTMENT OF TRANSPORTATION

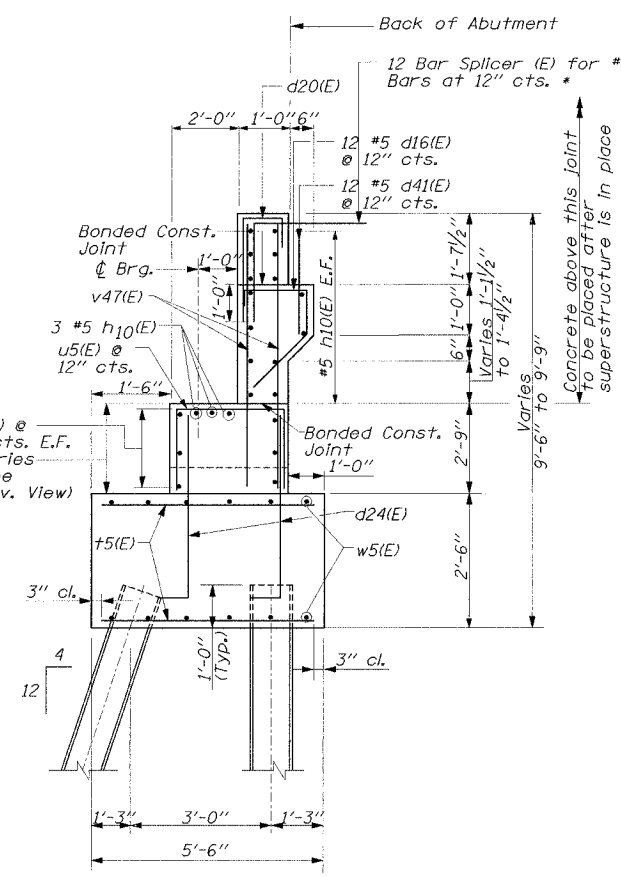
CONTRACT 62829	F.A.P. RTE. NO.	SECTION	COUNTY	TOTAL SHEETS	SHEET NO.	SHEET NO. SB-24
	305	2004-088B	COOK	145	107	OF SHEETS SB-24
	FED. ROAD DIST. NO. 1	ILLINOIS	FED. AID PROJECT-			



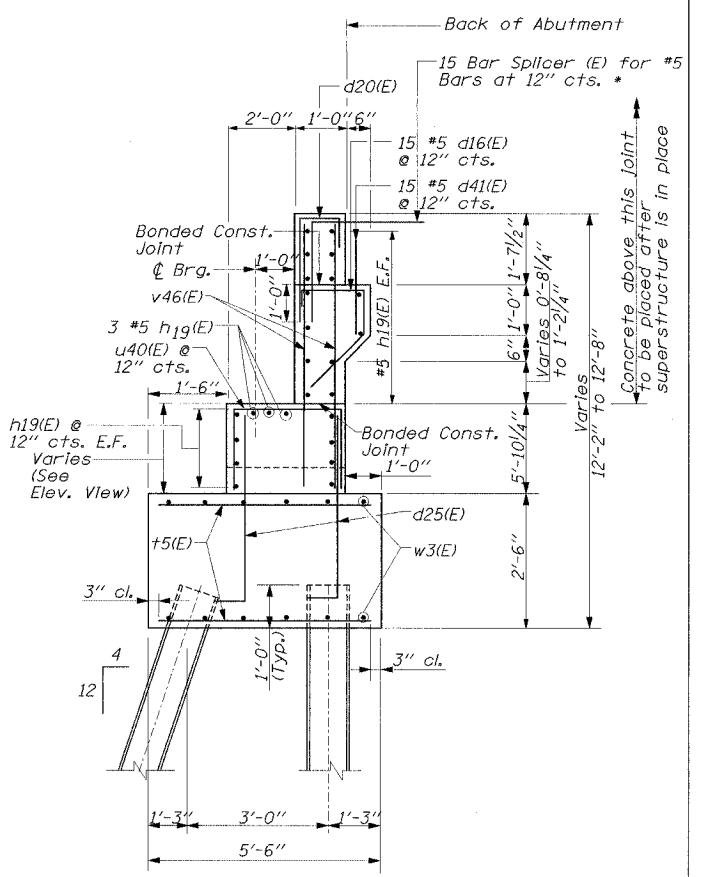
SECTION B-B



SECTION C-C

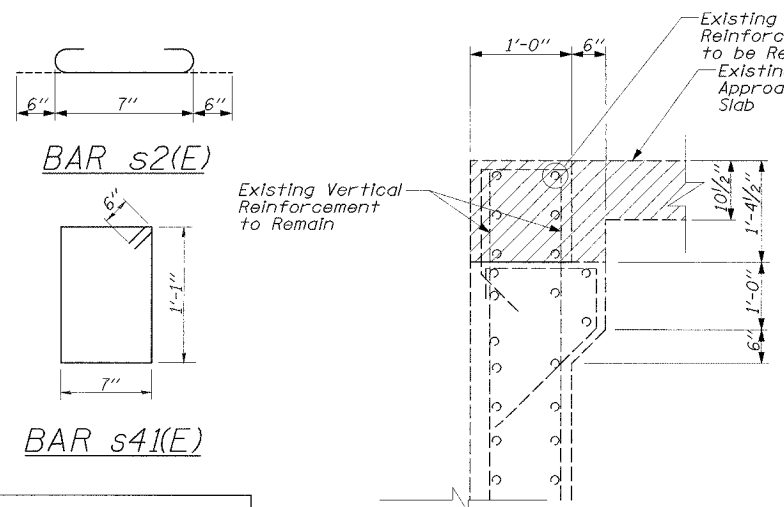


SECTION A-A
(South Side)

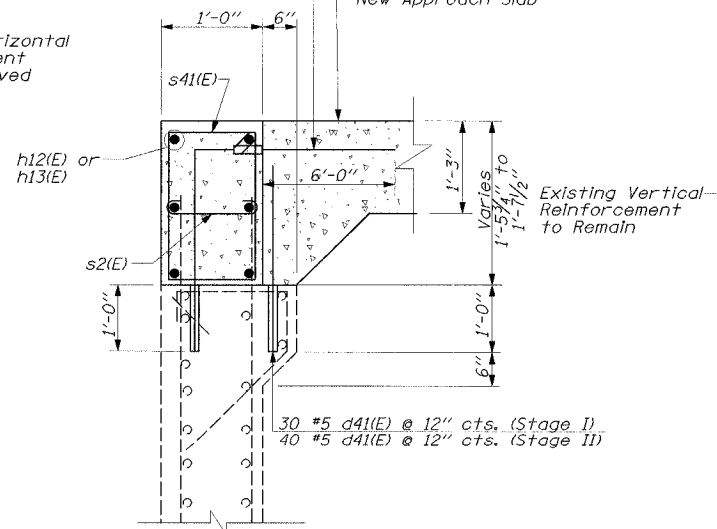


SECTION F-F
(North Side)

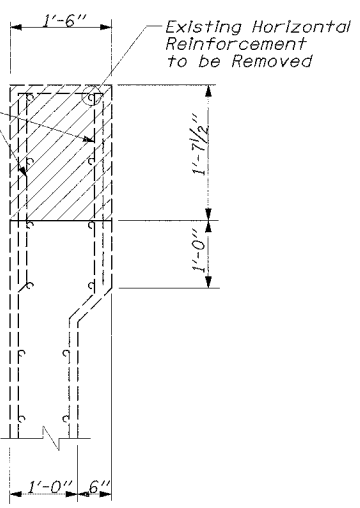
NOTE
Epoxy grout d15(E), d31(E) and the bar splicers for #5 bars in drilled holes according to Article 584 of the Standard Specifications. Space drilled holes to miss existing reinforcement.
* See Sheet SB-37 for backwall bent bar splicer detail



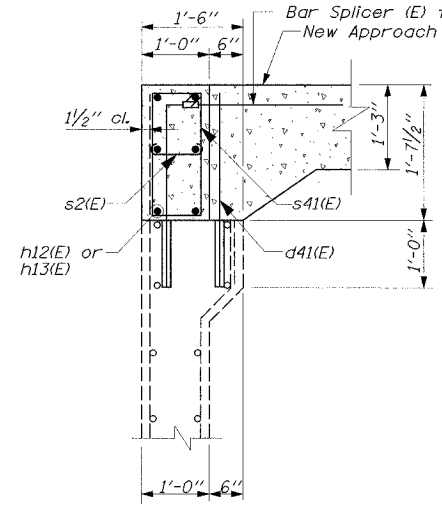
SECTION D-D REMOVAL



SECTION D-D REPLACEMENT



SECTION E-E REMOVAL
(Existing Sidewalk)



SECTION E-E REPLACEMENT

LEGEND
Concrete Removal

DESIGNED	EL
CHECKED	JAS
DRAWN	ABW
CHECKED	EL

EAST ABUTMENT DETAILS
WILLOW ROAD OVER
DES PLAINES RIVER
F.A.P. RTE. 305
SECTION 2004-088B
COOK COUNTY
STA. 397+76.18
STR. NO. 016-0530

EDWARDS AND KELCEY

12/28/2004 10:56:31 AM P:\000009\04\acord\Advantec\Contract\Map\Structural\Des\Planes\Plan_Sof\Notes\10524.rvt