

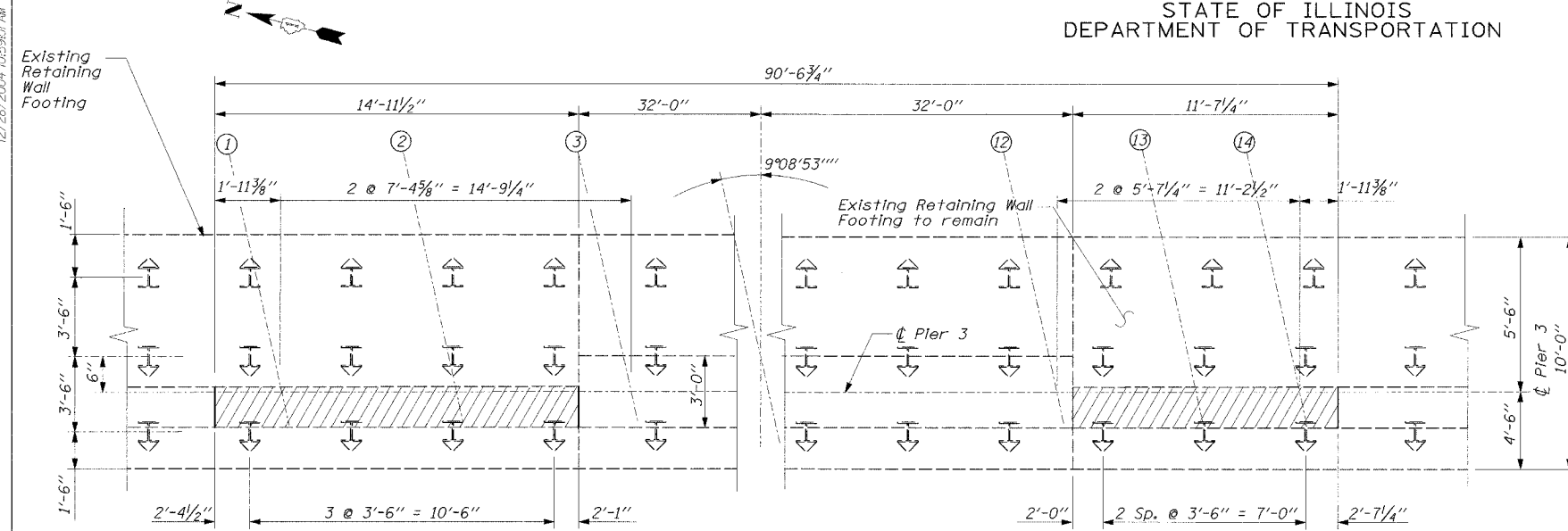
STATE OF ILLINOIS
DEPARTMENT OF TRANSPORTATION

CONTRACT 62829

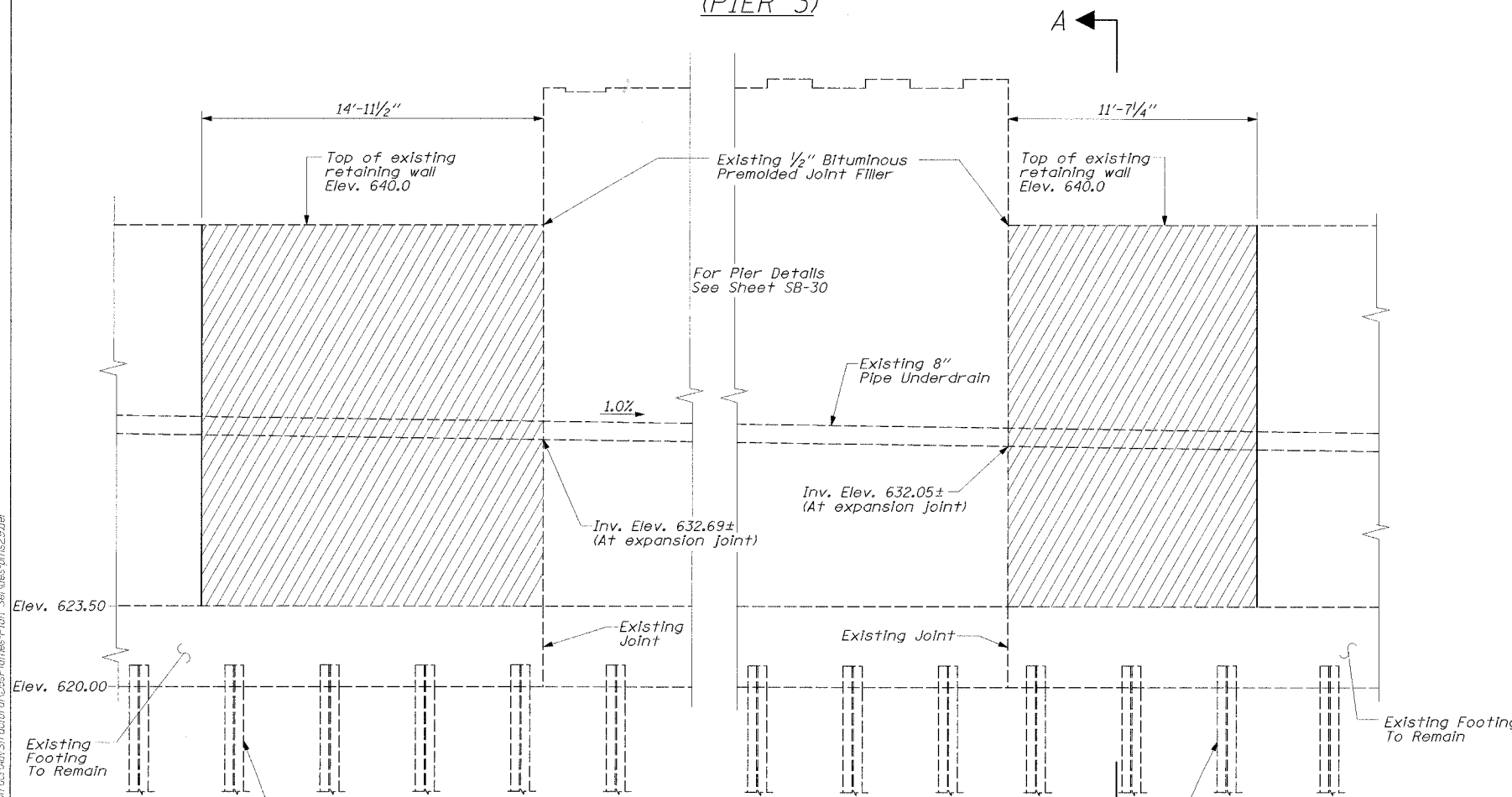
F.A.L. RTE. NO.	SECTION	COUNTY	TOTAL SHEETS	SHEET NO.
305	2004-088B	COOK	145	112
FED. ROAD DIST. NO. 1	ILLINOIS	FED. AID PROJECT:		

SHEET NO. SB-29
OF SHEETS SB-44

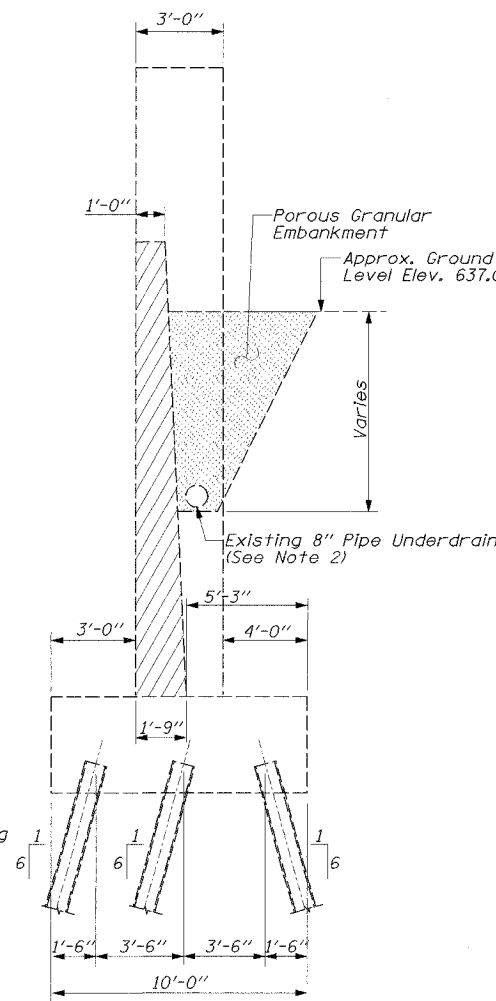
12/28/2004 10:59:01 AM



RETAINING WALL PLAN
(PIER 3)



RETAINING WALL ELEVATION
(PIER 3)
(Looking East)

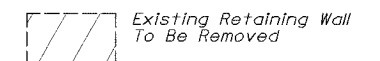


SECTION A-A

NOTES:

1. See also Bill of Material, Pier 3 Sheet SB-30
2. Remove only the portion of pipe underdrain necessary for retaining wall removal.
3. Replace pipe drain with "Pipe Drain Perforated PVC, 8" and connect to existing.
4. Cost of pipe removal incidental to "Structure Excavation".

LEGEND



BILL OF MATERIAL

Concrete Removal	Cu. Yd.	23
Porous Granular Embankment	Cu. Yd.	70

PIER 3 RETAINING WALL
MODIFICATIONS
WILLOW ROAD OVER
DES PLAINES RIVER
F.A.P. RTE. 305
SECTION 2004-088B
COOK COUNTY
STA. 397+76.18
STR. NO. 016-0530

EDWARDS AND KELCEY

DESIGNED	EL
CHECKED	JAS
DRAWN	ABW
CHECKED	EL

P:\000209\A\acc06\Advances_Contract\AdvStructural\03\Pier3\Drawings-Plan_Series\01625.dwg