

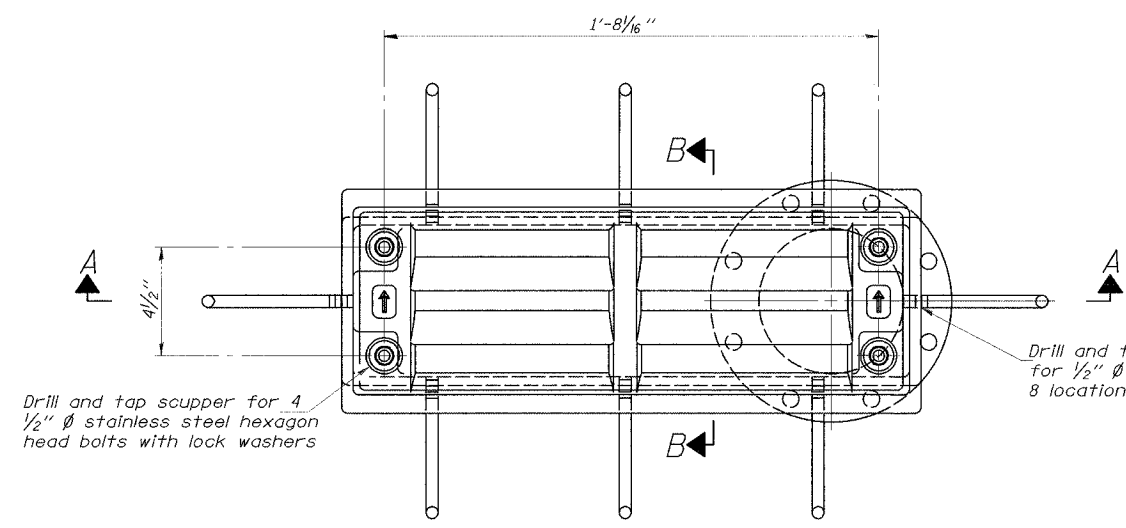
12/28/2004 10:45 AM

STATE OF ILLINOIS  
DEPARTMENT OF TRANSPORTATION

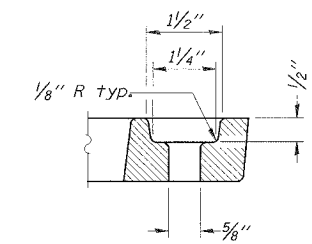
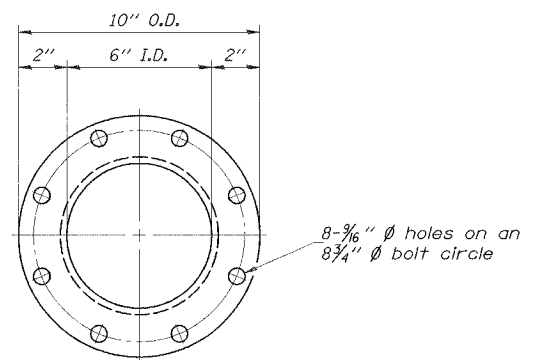
CONTRACT 62829

| F.A.P. RTE. NO.       | SECTION   | COUNTY           | TOTAL SHEETS | SHEET NO. |
|-----------------------|-----------|------------------|--------------|-----------|
| 305                   | 2004-088B | COOK             | 145          | 117       |
| FED. ROAD DIST. NO. 1 | LENGTH    | FED. AID PROJECT |              |           |

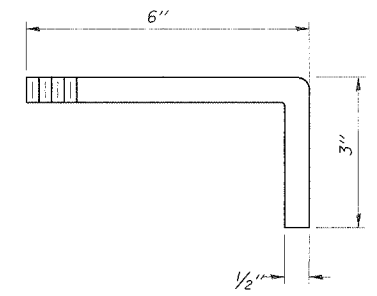
SHEET NO. SB-34  
OF SHEETS SB-44



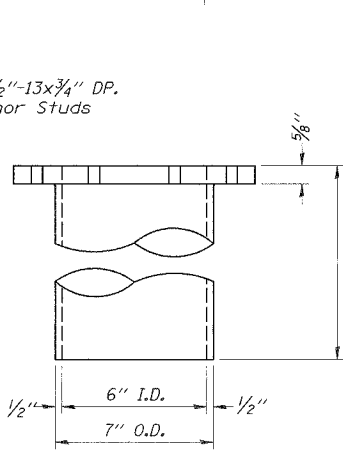
PLAN



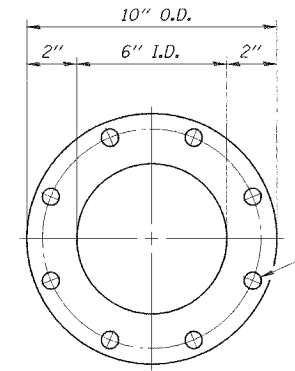
BOLT HOLE DETAIL



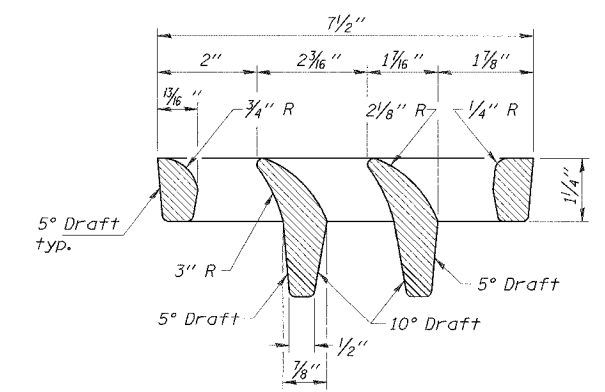
ANCHOR STUD DETAIL



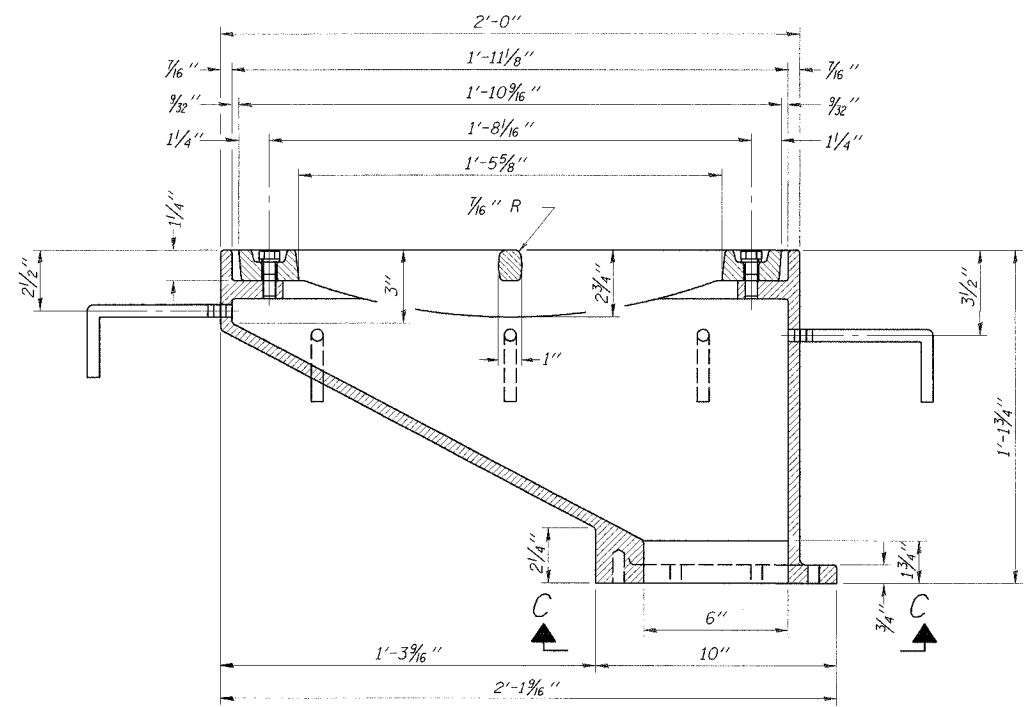
DOWNSPOUT



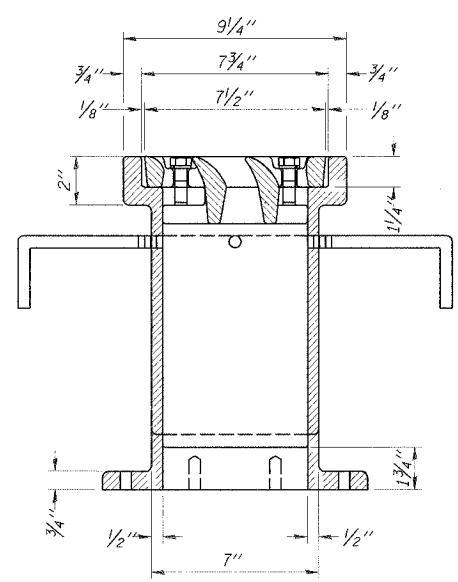
VIEW C-C



VANE GRATE DETAIL



SECTION A-A



SECTION B-B

DRAINAGE SCUPPER, DS-12

NOTES:

All cast iron parts shall be gray iron conforming to the requirements of AASHTO M 105, Class 35B.  
Bolts, anchor studs, washers and nuts shall conform to the requirements of ASTM A 307 and shall be galvanized according to AASHTO M 232.  
The grate, frame and downspout shall be galvanized according to AASHTO M 111 and ASTM A 385. Downspouts located on the exterior side of a painted steel fascia beam shall be painted with the finish coat specified for the exterior side of the fascia beam.  
As an alternate, bolts, anchor studs, washers and nuts may be stainless steel according to Article 1006.29(d) of the Standard Specifications.  
Structural steel weldments of equal sections and of the same configuration may be substituted for cast iron. Fillet or full penetration welds shall be used for the weldments. Details shall be submitted to the Engineer for approval.  
The Contractor shall take appropriate measures to assure that Protective Coat is not applied to the scupper.  
Cost of the Grate, Frame, Downspout, Anchor Studs, Bolts, Washers and Nuts including complete installation of the scupper shall be paid for at the contract unit price each for Drainage Scupper, DS-12.

BILL OF MATERIAL

| ITEM                    | UNIT | QUANTITY |
|-------------------------|------|----------|
| Drainage Scupper, DS-12 | Each | 4        |

DRAINAGE DETAILS I  
WILLOW ROAD OVER  
DES PLAINES RIVER  
F.A.P. RTE. 305  
SECTION 2004-088B  
COOK COUNTY  
STA. 397+76.18  
STR. NO. 016-0530

EDWARDS AND KELCEY

|          |     |
|----------|-----|
| DESIGNED | EL  |
| CHECKED  | JAS |
| DRAWN    | ABW |
| CHECKED  | EL  |

P:\000009\04\cadd\adv\con\Contract\Adv\Structur\on\Des\Plan\Des-Plan\_Sch-des-vins-34.dwg