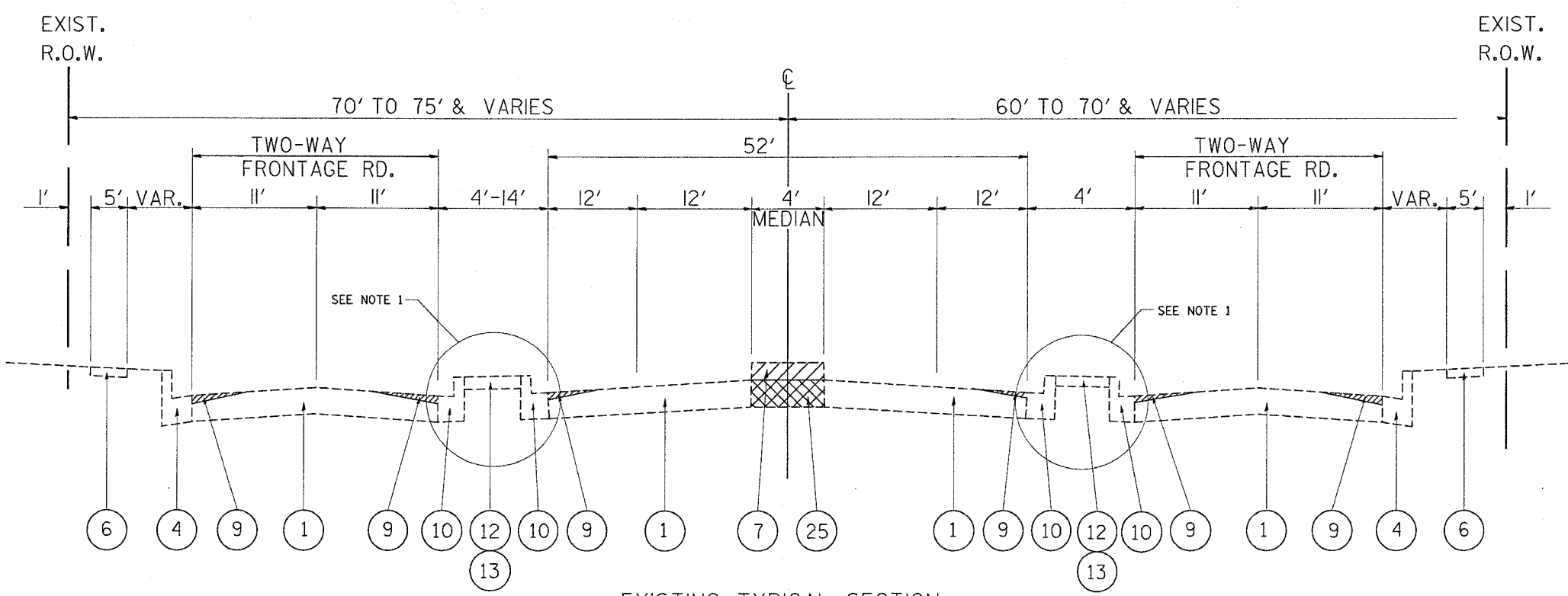


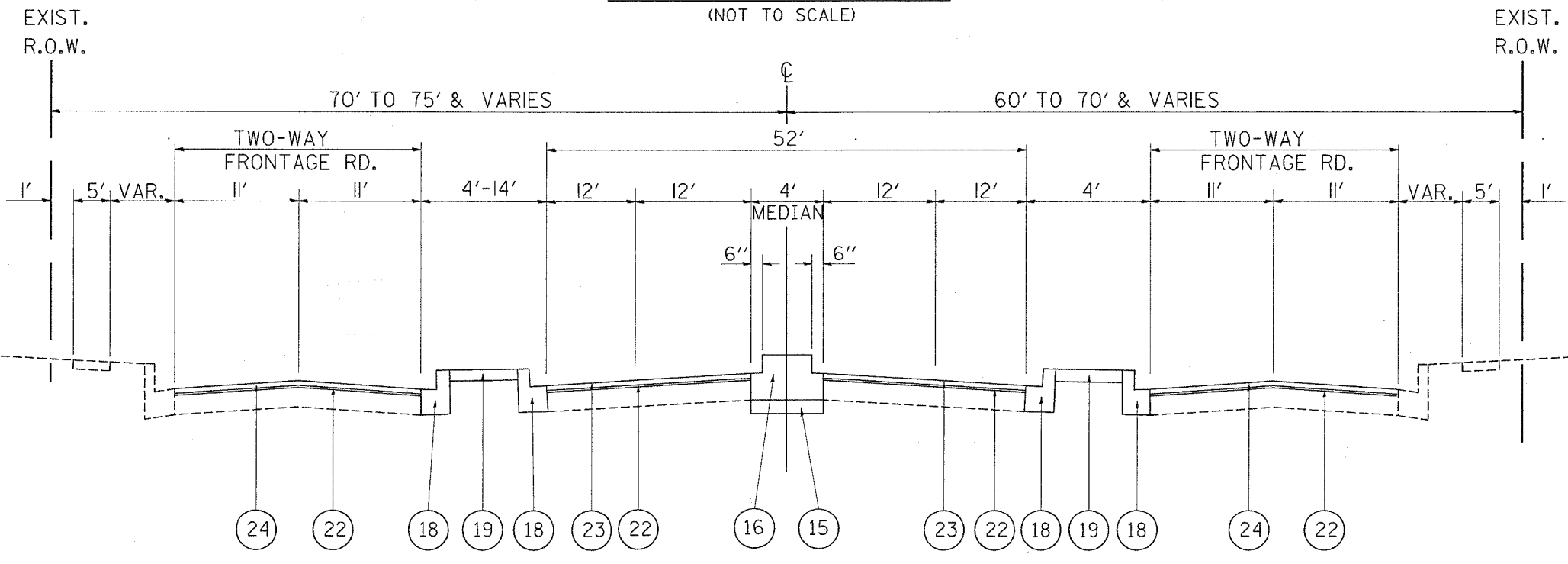
F.A. RTE. *	SECTION 0913.1	COUNTY COOK	TOTAL SHEETS 61	SHEET NO. 12
STA.	TO STA.			
FED. ROAD DIST. NO. 1 ILLINOIS FED. AID PROJECT				
* FAP 305/ FAU 1285				
CONTRACT NO. 62849				

LEGEND

- ① EXISTING P.C.C. PAVEMENT, 10"
- ② EXISTING BITUMINOUS OVERLAY, 4"
- ③ EXISTING CONCRETE MEDIAN
- ④ EXISTING CURB AND GUTTER
- ⑤ EXISTING BITUMINOUS SHOULDER
- ⑥ EXISTING SIDEWALK
- ⑦ PROPOSED MEDIAN REMOVAL (SPECIAL)
- ⑧ PROPOSED BITUMINOUS SURFACE REMOVAL, 2 1/2"
- ⑨ PROPOSED PORTLAND CEMENT CONCRETE SURFACE REMOVAL (VARIABLE DEPTH)- (SEE "BITUMINOUS TAPER AT EDGE OF P.C.C. PAVEMENT" DETAIL)
- ⑩ PROPOSED COMBINATION CURB AND GUTTER REMOVAL
- ⑪ PROPOSED CURB REMOVAL
- ⑫ PROPOSED CONCRETE MEDIAN SURFACE REMOVAL
- ⑬ PROPOSED BITUMINOUS MEDIAN SURFACE REMOVAL
- ⑭ PROPOSED EARTH EXCAVATION
- ⑮ PROPOSED SUB-BASE GRANULAR MATERIAL, 4"
- ⑯ PROPOSED CONCRETE MEDIAN, TYPE SB-6.6
- ⑰ PROPOSED COMBINATION CURB AND GUTTER, TYPE B-6.6
- ⑱ PROPOSED COMBINATION CURB AND GUTTER, TYPE B-6.12
- ⑲ PROPOSED CONCRETE MEDIAN SURFACE, 4"
- ⑳ PROPOSED TOPSOIL FURNISH AND PLACE, 24"
- ㉑ PROPOSED SODDING, SALT TOLERANT, SEEDING, CLASS 5 MODIFIED AND EROSION CONTROL BLANKET (SEE DETAIL "C")
- ㉒ PROPOSED POLYMERIZED LEVELING BINDER (MACHINE METHOD), SUPERPAVE, 1L-4.75, N50, 3/4"
- ㉓ PROPOSED POLYMERIZED BITUMINOUS CONCRETE SURFACE COURSE, SUPERPAVE, MIX "F", N90, 1 3/4"
- ㉔ PROPOSED BITUMINOUS CONCRETE SURFACE COURSE, SUPERPAVE, MIX "D", N50, 1 1/2"
- ㉕ PROPOSED PAVEMENT REMOVAL (PAID FOR AS MEDIAN REMOVAL (SPECIAL))
- ㉖ PROPOSED TIE BARS #6 @ 24" O-C (INCLUDED IN THE BID PRICE OF COMBINATION CURB AND GUTTER, TYPE B-6.12 OR SB-6.12)



**EXISTING TYPICAL SECTION
PALATINE ROAD
STA. 212+57 TO STA. 224+04
(NOT TO SCALE)**



**PROPOSED TYPICAL SECTION
PALATINE ROAD
STA. 212+57 TO STA. 224+04
(NOT TO SCALE)**

NOTE 1: CURB AND GUTTER, CONCRETE MEDIAN SURFACE AND BITUMINOUS MEDIAN SURFACE WILL BE REPLACED ONLY AT THE LOCATIONS DETERMINED BY THE RESIDENT ENGINEER IN THE FIELD.

REVISIONS	
NAME	DATE

ILLINOIS DEPARTMENT OF TRANSPORTATION
 FAP 305/ FAU 1285
 (PALATINE ROAD)
 CEDAR STREET TO E/O US 12
 TYPICAL SECTIONS

SCALE: VERT. _____
 HORIZ. _____
 DATE 12/13/2004

DRAWN BY _____
 CHECKED BY _____