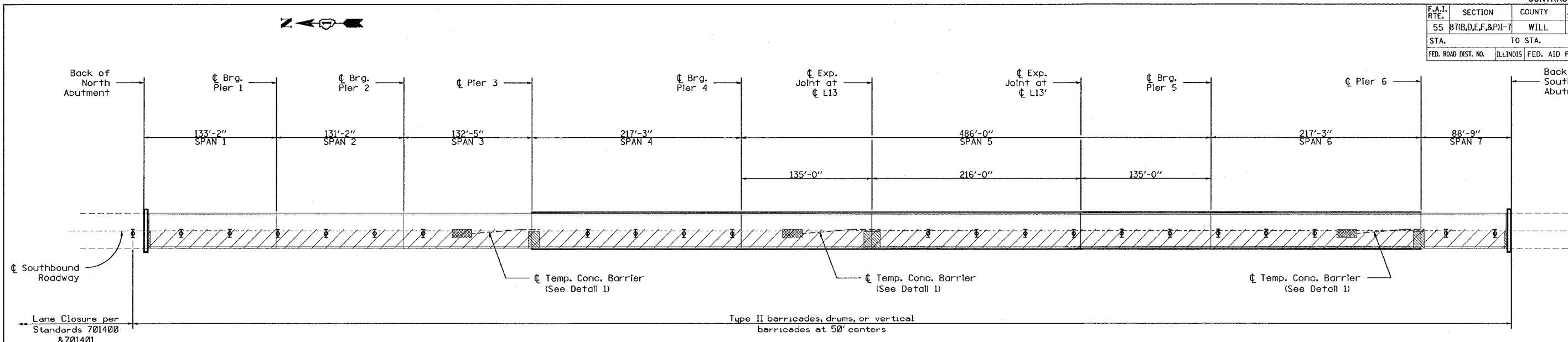
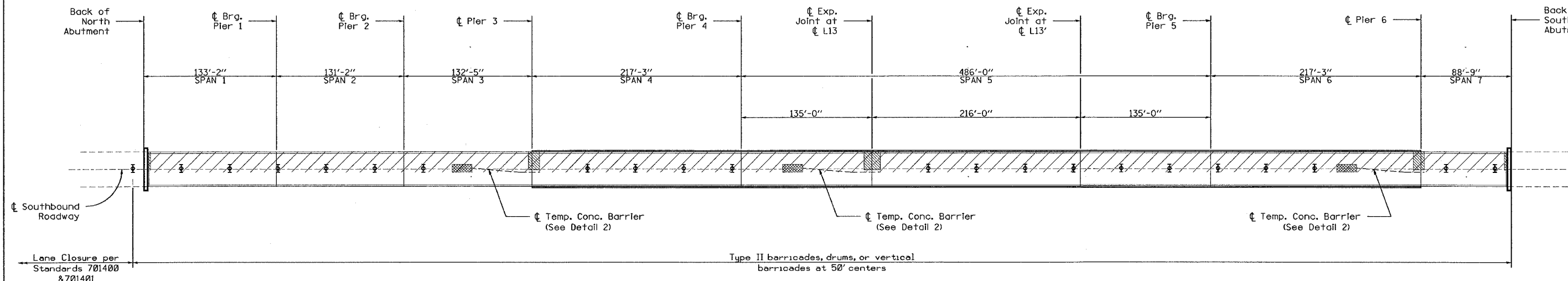


F.A.I. RTE.	SECTION	COUNTY	TOTAL SHEETS	SHEET NO.
55	87(B,D,E,F,&P)-7	WILL	16	4
STA.		TO STA.		
FED. ROAD DIST. NO.		ILLINOIS FED. AID PROJECT		



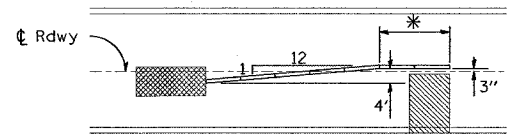
Stage I



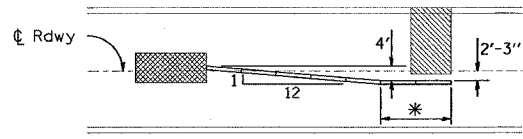
Stage II

SYMBOLS

- Work Area
- Removal Area
- Impact Attenuator
- Temporary Concrete Barrier
- Type II barricade, drums, or vertical barricade with steady burn monodirectional light



Detail 1
Typical Layout
Temporary Concrete
Barrier - Stage I



Detail 2
Typical Layout
Temporary Concrete
Barrier - Stage II

* 20' for NJ Shape Barrier
25' for F Shape Barrier

NOTES

Traffic Control shall conform to Traffic Control Standard 701401 except as shown. All additional barricades shall be included in the cost of "Traffic Control and Protection (Expressways)."

REVISIONS	
NAME	DATE

ILLINOIS DEPARTMENT OF TRANSPORTATION
TRAFFIC STAGING PLANS

SCALE: VERT.
DATE: HORIZ.

DRAWN BY
CHECKED BY

PLOT DATE = 12/23/2004
 FILE NAME = c:\projects\m103985\m103985.dwg
 PLOT SCALE = 1/8"=1'-0"
 REFERENCE = SHEET